

Panasonic®

<http://www.panasonic-america.com>

Feature Manual

Pure IP-PBX



Model No. **KX-NS1000**



Thank you for purchasing this Panasonic product.
Please read this manual carefully before using this product and save this manual for future use.
In particular, be sure to read "1.1.1 For Your Safety (Page 16)" before using this product.

KX-NS1000: PCMPR Software File Version 002.11000 or later

Introduction

About the Feature Manual

The Feature Manual is designed to serve as an overall reference describing the features of the Panasonic Pure IP-PBX. It explains what the PBX can do, as well as how to obtain the most of its many features and facilities.

The Feature Manual is divided into the following sections:

Section 1, For Your Safety

Provides important information about operating the PBX safely and securely.

Sections 2 to 22, Features and Configurations

Describes the call handling, system configuration and administration features of the PBX.

Section 23, Appendix

Provides tables listing capacity of system resources, exclusive features for each PBX model, tone and ring tone tables, and the revision history of this Feature Manual.

Index

An alphabetical listing of features and terms, as well as the page numbers of related sections.

Compatible Telephones and Devices

A list of telephone and device types that are compatible with this PBX can be found in the Installation Manual. However, if you expand the capabilities of this PBX by connecting KX-NCP/KX-TDE/KX-TDA series PBXs, the following types of telephones, devices, and CO lines can also be used:

- Digital Proprietary Telephones (DPT)
- Analog Proprietary Telephones (APT)
- Direct Station Selection Consoles (DSS Consoles)
- T1 off-premise extensions (T1-OPX)
- Voice Processing Systems (VPS)
- T1 CO lines
- ELCOT CO lines (KX-TDE600/KX-TDA600 only)

These types of telephones, devices, and CO lines are listed in the manual for various features. However, be aware that they are only applicable if a stacking connection is established. For details about stacking, see "18.1.9 Stacking Connection".

References Found in the Feature Manual

Installation Manual References

The PBX Installation Manual provides instructions detailing the installation and maintenance of the PBX. Sections from the Installation Manual are listed throughout the Feature Manual for your reference.

PC Programming Manual References

Commonly used settings can be programmed using the Maintenance Console (→ 15.1.3 PC Programming). These PC programming items are noted throughout the Feature Manual for your reference by title and System Menu number.

Feature Manual References

Related sections of the Feature Manual are listed for your reference.

Operating Manual References

The Operating Manual describes how users can access commonly used PBX features and functions with their proprietary telephones (PTs), single line telephones (SLTs), portable stations (PSs), and DSS Consoles. Sections from the Operating Manual are listed throughout the Feature Manual for your reference.

Links to Other Pages and Manuals

If viewing this Feature Manual with a PC, certain items are linked to different sections of the Feature Manual and other manuals. Click on a link to jump to that section.

Linked items include:

- Installation Manual References
- Feature Manual References
- Operating Manual References
- PC Programming References

Abbreviations

There are many abbreviations used in this manual (e.g., "PT", for proprietary telephone). Please refer to the list in the next section for the meaning of each abbreviation.

Note

- The contents of this manual apply to PBXs with a certain software version, as indicated on the cover of this manual. To confirm the software version of your PBX, see How do I confirm the software version of the PBX or installed cards? in 2.3 Frequently Asked Questions (FAQ) of the PC Programming Manual.
- Some optional hardware, software, and features are not available in some areas, or for some PBX models. Please consult your certified Panasonic dealer for more information.
- Product specifications are subject to change without notice.

Trademarks

- Microsoft and Outlook are either registered trademarks or trademarks of Microsoft Corporation in the United States and/or other countries.
- The Bluetooth® word mark and logos are owned by the Bluetooth SIG, Inc. and any use of such marks by Panasonic Corporation is under license.
- All other trademarks identified herein are the property of their respective owners.

List of Abbreviations

A

AA

Automated Attendant

ACD

Automatic Call Distribution

ANI

Automatic Number Identification

APT

Analog Proprietary Telephone

ARS

Automatic Route Selection

B

BGM

Background Music

C

CA

Communication Assistant

CCBS

Completion of Calls to Busy Subscriber

CDPG

Call Distribution Port Group

CF

Call Forwarding—QSIG

CLI

Calling Line Identification

CLIP

Calling Line Identification Presentation

CLIR

Calling Line Identification Restriction

CNIP

Calling Name Identification Presentation

CNIR

Calling Name Identification Restriction

COLP

Connected Line Identification Presentation

COLR

Connected Line Identification Restriction

CONP

Connected Name Identification Presentation

CONR

Connected Name Identification Restriction

COS

Class of Service

CPC

Calling Party Control

CS

Cell Station

CT

Call Transfer—QSIG

CTI

Computer Telephony Integration

D

DHCP

Dynamic Host Configuration Protocol

DID

Direct Inward Dialing

DIL

Direct In Line

DISA

Direct Inward System Access

DND

Do Not Disturb

DPT

Digital Proprietary Telephone

DSS

Direct Station Selection

DTMF

Dual Tone Multi-Frequency

E

EFA

External Feature Access

F

FWD

Call Forwarding

G

G-CO
Group-CO

I

ICD
Incoming Call Distribution

ICMP
Internet Control Message Protocol

IP-PT
IP Proprietary Telephone

IRNA
Intercept Routing—No Answer

ISDN
Integrated Services Digital Network

L

L-CO
Loop-CO

LCS
Live Call Screening

LED
Light Emitting Diode

N

NDSS
Network Direct Station Selection

NTP
Network Time Protocol

O

OGM
Outgoing Message

OHCA
Off-hook Call Announcement

P

PDN
Primary Directory Number

PIN
Personal Identification Number

PING
Packet Internet Grouper

PRI
Primary Rate Interface

PS
Portable Station

PT
Proprietary Telephone

S

S-CO
Single-CO

SDN
Secondary Directory Number

SIP
Session Initiation Protocol

SLT
Single Line Telephone

SMDR
Station Message Detail Recording

SNMP
Simple Network Management Protocol

T

TAFAS
Trunk Answer from Any Station

TEI
Terminal Endpoint Identifier

TRG
Trunk Group

TRS
Toll Restriction

U

UCD
Uniform Call Distribution

UM
Unified Messaging

UPS
Uninterruptible Power Supply

V

VM
Voice Mail

VoIP
Voice over Internet Protocol

List of Abbreviations

VPS

Voice Processing System

X

XDP

EXtra Device Port

Table of Contents

1	For Your Safety	15
1.1	For Your Safety	16
1.1.1	For Your Safety	16
2	Features and Configurations—A	19
2.1	A	20
2.1.1	Absent Message	20
2.1.2	Account Code Entry	21
2.1.3	ARS (Automatic Route Selection)	22
2.1.4	Automatic Callback Busy (Camp-on)	27
2.1.5	Automatic Extension Release	28
2.1.6	Automatic Fax Transfer	29
2.1.7	Automatic Rerouting to Secondary PBX	30
2.1.8	Automatic Time Adjustment	32
3	Features and Configurations—B	35
3.1	B	36
3.1.1	Backup Master Mode and Isolated Mode	36
3.1.2	BGM (Background Music)	39
4	Features and Configurations—C	41
4.1	C	42
4.1.1	CA (Communication Assistant)	42
4.1.2	Call Distribution Port Group	43
4.1.3	Caller ID	44
4.1.4	Call Hold	49
4.1.5	Call Log, Incoming	51
4.1.6	Call Monitor	53
4.1.7	Call Park	54
4.1.8	Call Pickup	56
4.1.9	Call Splitting	57
4.1.10	Call Transfer	58
4.1.11	CALL WAITING FEATURES	61
4.1.12	Call Waiting Tone	63
4.1.13	CELLULAR PHONE FEATURES	64
4.1.14	CLI (Calling Line Identification) Distribution	65
4.1.15	CLIP (Calling Line Identification Presentation)	66
4.1.16	CO Line Access	68
4.1.17	CO Line Call Limitation	70
4.1.18	Conference	71
4.1.19	Conference Group Call	72
4.1.20	Confirmation Tone	75
4.1.21	Consultation Hold	76
4.1.22	COS (Class of Service)	77
4.1.23	CPC (Calling Party Control) Signal Detection	78
4.1.24	CTI (Computer Telephony Integration)	78
5	Features and Configurations—D	81
5.1	D	82
5.1.1	Data Line Security	82
5.1.2	DHCP (Dynamic Host Configuration Protocol) Assignment	82
5.1.3	DHCP (Dynamic Host Configuration Protocol) Server	83

5.1.4	Dial Mode Selection	83
5.1.5	Dial Tone	84
5.1.6	Dial Tone Transfer	85
5.1.7	DID (Direct Inward Dialing)	86
5.1.8	DIL (Direct In Line)	88
5.1.9	DISA (Direct Inward System Access)	89
5.1.10	Display Information	98
5.1.11	DND (Do Not Disturb)	99
5.1.12	Door Open	101
5.1.13	Doorphone Call	101
5.1.14	DSP Resource Advisor	103
5.1.15	DSP Resource Reservation	105
5.1.16	DSP Resource Usage	106
6	Features and Configurations—E	109
6.1	E	110
6.1.1	EFA (External Feature Access)	110
6.1.2	E-mail Notification for Extension Users	111
6.1.3	E-mail Notification of System-level Events	112
6.1.4	Emergency Call	113
6.1.5	Executive Busy Override	113
6.1.6	Extension Dial Lock	114
6.1.7	Extension Feature Clear	115
6.1.8	Extension PIN (Personal Identification Number)	116
6.1.9	External Relay	117
6.1.10	External Sensor	118
7	Features and Configurations—F	121
7.1	F	122
7.1.1	Fixed Buttons	122
7.1.2	Flash/Recall/Terminate	124
7.1.3	Flexible Buttons	125
7.1.4	Flexible Numbering/Fixed Numbering	128
7.1.5	Floating Extension	133
7.1.6	FWD (Call Forwarding)	134
7.1.7	FWD/DND Button, Group FWD Button	138
8	Features and Configurations—G	143
8.1	G	144
8.1.1	GROUP FEATURES	144
9	Features and Configurations—H	149
9.1	H	150
9.1.1	Hands-free Answerback	150
9.1.2	Hands-free Operation	151
9.1.3	Headset Operation	151
9.1.4	HOSPITALITY FEATURES	152
9.1.5	Host PBX Access Code (Access Code to the Telephone Company from a Host PBX)	153
9.1.6	Hot Line	155
10	Features and Configurations—I	157
10.1	I	158
10.1.1	ICD GROUP FEATURES	158
10.1.2	ICD Group Features—Group Call Distribution	161

10.1.3	ICD Group Features—Log-in/Log-out	164
10.1.4	ICD Group Features—Outside Destinations	167
10.1.5	ICD Group Features—Overflow	169
10.1.6	ICD Group Features—Queuing	170
10.1.7	ICD Group Features—Supervisory	173
10.1.8	ICD Group Features—VIP Call	175
10.1.9	Idle Extension Hunting	176
10.1.10	INCOMING CALL FEATURES	178
10.1.11	Intercept Routing	180
10.1.12	Intercept Routing—No Destination	185
10.1.13	Intercom Call	186
10.1.14	Internal Call Block	187
10.1.15	IP-PT (IP Proprietary Telephone)	188
10.1.16	ISDN (INTEGRATED SERVICES DIGITAL NETWORK) FEATURES	190
11	Features and Configurations—K	193
11.1	K	194
11.1.1	KX-UT Series SIP Phones	194
12	Features and Configurations—L	197
12.1	L	198
12.1.1	LED Indication	198
12.1.2	Line Preference—Incoming	200
12.1.3	Line Preference—Outgoing	201
12.1.4	Local Alarm Information	202
13	Features and Configurations—M	205
13.1	M	206
13.1.1	Manager Features	206
13.1.2	MEMORY DIALING FEATURES	207
13.1.3	Message Waiting	209
13.1.4	Music on Hold	210
13.1.5	Mute	212
14	Features and Configurations—O	213
14.1	O	214
14.1.1	Off-hook Monitor	214
14.1.2	OGM (Outgoing Message)	214
14.1.3	OHCA (Off-hook Call Announcement)	216
14.1.4	One-look Network	217
14.1.5	One-look Network—IP Network Type Comparison	221
14.1.6	ONE-LOOK NETWORKING SURVIVABILITY FEATURES	222
14.1.7	One-touch Dialing	223
14.1.8	Operator Features	224
15	Features and Configurations—P	225
15.1	P	226
15.1.1	Paging	226
15.1.2	Pause Insertion	228
15.1.3	PC Programming	228
15.1.4	PDN (Primary Directory Number)/SDN (Secondary Directory Number) Extension	229
15.1.5	Peer-to-Peer (P2P) Connection	235
15.1.6	PING Confirmation	237
15.1.7	Power Failure Restart	238

15.1.8	Power Failure Transfer	238
15.1.9	Predialing	239
15.1.10	Printing Message	239
15.1.11	Privacy Release	240
15.1.12	PRIVATE NETWORK FEATURES	240
15.1.13	Private Network Features—Centralized Voice Mail	265
15.1.14	Private Network Features—NDSS (Network Direct Station Selection)	269
15.1.15	Private Network Features—Network ICD Group	274
15.1.16	Private Network Features—PS Roaming by Network ICD Group	276
15.1.17	PRIVATE NETWORK FEATURES—QSIG	277
15.1.18	Private Network Features—QSIG—CCBS (Completion of Calls to Busy Subscriber)	279
15.1.19	Private Network Features—QSIG—CF (Call Forwarding)	280
15.1.20	Private Network Features—QSIG—CLIP/COLP (Calling/Connected Line Identification Presentation) and CNIP/CONP (Calling/Connected Name Identification Presentation)	282
15.1.21	Private Network Features—QSIG—CT (Call Transfer)	283
15.1.22	Private Network Features—QSIG—Enhanced Features	285
15.1.23	Private Network Features—VoIP (Voice over Internet Protocol)	287
15.1.24	PS (Portable Station)	292
15.1.25	PS—Directory	294
15.1.26	PS—Feature Buttons	295
15.1.27	PS—Ring Group	295
15.1.28	PT Programming	299
16	Features and Configurations—Q	301
16.1	Q	302
16.1.1	Quick Dialing	302
17	Features and Configurations—R	303
17.1	R	304
17.1.1	Redial, Last Number	304
17.1.2	Ring Tone Pattern Selection	305
17.1.3	Room Status Control	306
18	Features and Configurations—S	309
18.1	S	310
18.1.1	Simple Remote Connection	310
18.1.2	SIP (Session Initiation Protocol) Extension	312
18.1.3	SIP (Session Initiation Protocol) CO Line	313
18.1.4	SMDR (Station Message Detail Recording)	315
18.1.5	SNMP (Simple Network Management Protocol) System Monitor	322
18.1.6	Special Carrier Access Code	323
18.1.7	Speed Dialing, Personal	324
18.1.8	Speed Dialing, System	325
18.1.9	Stacking Connection	326
18.1.10	Syslog Record Management	327
19	Features and Configurations—T	329
19.1	T	330
19.1.1	TAFAS (Trunk Answer From Any Station)	330
19.1.2	Tenant Service	330
19.1.3	Time Service	335
19.1.4	Timed Reminder	339
19.1.5	TRS (Toll Restriction)	340

19.1.6	Trunk Adaptor Connection	347
20	Features and Configurations—U	349
20.1	U	350
20.1.1	UM Group Failover	350
20.1.2	UNIFIED MESSAGING FEATURES	350
20.1.3	Unified Messaging—Alternate Extension Group	353
20.1.4	Unified Messaging—Auto Forwarding	354
20.1.5	Unified Messaging—Auto Receipt	354
20.1.6	Unified Messaging—Automated Attendant (AA)	354
20.1.7	Unified Messaging—Automatic Fax Delivery	355
20.1.8	Unified Messaging—Automatic Login	356
20.1.9	Unified Messaging—Automatic Two-way Recording for Manager	357
20.1.10	Unified Messaging—Autoplay New Message	358
20.1.11	Unified Messaging—Bookmark	358
20.1.12	Unified Messaging—Broadcasting Messages	358
20.1.13	Unified Messaging—Call Services	359
20.1.14	Unified Messaging—Call Transfer Scenario	359
20.1.15	Unified Messaging—Call Transfer Status	359
20.1.16	Unified Messaging—Call Transfer to Outside	360
20.1.17	Unified Messaging—Callback Number Entry	360
20.1.18	Unified Messaging—Caller ID Call Routing	361
20.1.19	Unified Messaging—Caller ID Callback	361
20.1.20	Unified Messaging—Caller ID Screening	361
20.1.21	Unified Messaging—Caller Name Announcement	362
20.1.22	Unified Messaging—Call-through Service	362
20.1.23	Unified Messaging—Class of Service (COS)	363
20.1.24	Unified Messaging—Company Greeting	363
20.1.25	Unified Messaging—Company Name	364
20.1.26	Unified Messaging—Covering Extension	364
20.1.27	Unified Messaging—Custom Service	365
20.1.28	Unified Messaging—Custom Service Builder	366
20.1.29	Unified Messaging—Default Mailbox Template	366
20.1.30	Unified Messaging—Delete Message Confirmation	366
20.1.31	Unified Messaging—Dialing by Name	366
20.1.32	Unified Messaging—Direct Service Access	367
20.1.33	Unified Messaging—Emergency Greeting	367
20.1.34	Unified Messaging—Extension Group	368
20.1.35	Unified Messaging—External Message Delivery Service	368
20.1.36	Unified Messaging—Fax Cover Page	368
20.1.37	Unified Messaging—Fax Driver	369
20.1.38	Unified Messaging—Fax Server	370
20.1.39	Unified Messaging—Fax Service	372
20.1.40	Unified Messaging—Forwarding to a Mailbox	372
20.1.41	Unified Messaging—Group Distribution Lists	372
20.1.42	Unified Messaging—Hold	373
20.1.43	Unified Messaging—Holiday Service	373
20.1.44	Unified Messaging—Hospitality Mode	374
20.1.45	Unified Messaging—IMAP Integration	374
20.1.46	Unified Messaging—Incomplete Call Handling Service	375
20.1.47	Unified Messaging—Intercept Routing to a Mailbox	375
20.1.48	Unified Messaging—Intercom Paging	376
20.1.49	Unified Messaging—Interview Service	376
20.1.50	Unified Messaging—List All Names	377
20.1.51	Unified Messaging—Live Call Screening (LCS)	378

20.1.52	Unified Messaging—Logical Extension (All Calls Transfer to Mailbox)	378
20.1.53	Unified Messaging—Mailbox	379
20.1.54	Unified Messaging—Mailbox Capacity Warning	379
20.1.55	Unified Messaging—Manager Service Switching	380
20.1.56	Unified Messaging—Message Reception Mode	380
20.1.57	Unified Messaging—Message Transfer	381
20.1.58	Unified Messaging—Message Waiting Notification—E-mail Device	381
20.1.59	Unified Messaging—Message Waiting Notification—Lamp	382
20.1.60	Unified Messaging—Message Waiting Notification—Telephone Device	383
20.1.61	Unified Messaging—Microsoft Outlook Integration	384
20.1.62	Unified Messaging—Multilingual Service	385
20.1.63	Unified Messaging—No DTMF Input Operation	385
20.1.64	Unified Messaging—On Hold Announcement Menu	385
20.1.65	Unified Messaging—Operator Service	386
20.1.66	Unified Messaging—Password Administration	387
20.1.67	Unified Messaging—Personal Custom Service	387
20.1.68	Unified Messaging—Personal Greetings	388
20.1.69	Unified Messaging—PIN Call Routing	389
20.1.70	Unified Messaging—Play System Prompt After Personal Greeting	389
20.1.71	Unified Messaging—Port Service	389
20.1.72	Unified Messaging—Private Message	390
20.1.73	Unified Messaging—Recover Message	390
20.1.74	Unified Messaging—Remote Absent Message	390
20.1.75	Unified Messaging—Remote Call Forwarding Set	391
20.1.76	Unified Messaging—Remote Time Service Set	392
20.1.77	Unified Messaging—Send to Fax Machine	392
20.1.78	Unified Messaging—Service Group	392
20.1.79	Unified Messaging—Simplified Tutorial	393
20.1.80	Unified Messaging—Subscriber Tutorial	393
20.1.81	Unified Messaging—System Backup/Restore	394
20.1.82	Unified Messaging—System Prompts	395
20.1.83	Unified Messaging—System Reports	395
20.1.84	Unified Messaging—System Security	396
20.1.85	Unified Messaging—Timed Reminder Setting	396
20.1.86	Unified Messaging—Toll Saver	397
20.1.87	Unified Messaging—Transfer Recall to a Mailbox	398
20.1.88	Unified Messaging—Transfer to Mailbox	398
20.1.89	Unified Messaging—Trunk Service (Universal Port)	398
20.1.90	Unified Messaging—Two-way Record/Two-way Transfer	399
20.1.91	Unified Messaging—Urgent Message	400
20.1.92	Unified Messaging—User Profiles and Mailbox Auto Configuration	400
20.1.93	Unified Messaging—Voice Mail Service	401
20.1.94	Unified Messaging—Voice Mail (VM) Transfer Button	401
20.1.95	Unified Messaging—Web Programming	402
20.1.96	UPS (Uninterruptible Power Supply) Integration	403
20.1.97	Upgrading the Software	404
20.1.98	User Profiles	405
21	Features and Configurations—V	407
21.1	V	408
21.1.1	Verification Code Entry	408
21.1.2	Virtual PS	409
22	Features and Configurations—W	413
22.1	W	414

22.1.1	Walking COS	414
22.1.2	Walking Extension	415
22.1.3	Walking Extension, Enhanced	416
22.1.4	Whisper OHCA	417
22.1.5	Wireless XDP Parallel Mode	418
23	Appendix	423
23.1	Capacity of System Resources	424
23.2	Tones/Ring Tones	428
23.3	Features that Require Activation Keys	430
23.4	Supported Management Information Base (MIB) Table	432
	Index.....	437

Section 1

For Your Safety

1.1 For Your Safety

1.1.1 For Your Safety

Description

To prevent personal injury and/or damage to property, be sure to observe the following safety precautions.

The following symbols classify and describe the level of hazard and injury caused when this unit is operated or handled improperly.



This notice means that misuse could result in injury or damage to property.

The following types of symbols are used to classify and describe the type of instructions to be observed.



This symbol is used to alert users to a specific operating procedure that must be followed in order to operate the unit safely.



CAUTION



- The software contained in the TRS and ARS features to allow user access to the network must be upgraded to recognize newly established network area codes and exchange codes as they are placed into service. Failure to upgrade the on-premise PBXs or peripheral equipment to recognize the new codes as they are established will restrict the customer and users of the PBX from gaining access to the network and to these codes.
KEEP THE SOFTWARE UP TO DATE WITH THE LATEST DATA.
- There is a risk that fraudulent telephone calls will be made in the following cases:
 - A third party discovers a personal identification number (PIN) (verification code PIN or extension PIN) of the PBX.
 - Using the CO line-to-CO line Call feature of DISA.The cost of such calls will be billed to the owner/renter of the PBX. To protect the PBX from this kind of fraudulent use, we strongly recommend:
 - a. Keeping PINs secret.
 - b. Selecting complex, random PINs that cannot be easily guessed.
 - c. Changing PINs regularly.
- To the Administrator or Installer regarding account passwords
 1. Please provide all system passwords to the customer.
 2. To avoid unauthorized access and possible abuse of the PBX, keep the passwords secret, and inform the customer of the importance of the passwords, and the possible dangers if they become known to others.
 3. The PBX has no passwords set initially. For security, select an installer password as soon as the PBX system is installed at the site.
 4. Change the passwords periodically.
 5. It is strongly recommended that passwords of 10 numbers or characters be used for maximum protection against unauthorized access.

Section 2

Features and Configurations—A

2.1 A

2.1.1 Absent Message

Description

Extension users can prepare a brief text message (Absent Message) that will be displayed to other extension users when they are called. These messages can explain the reason for their absence, and may be edited through system programming and personal programming.

The following Absent Messages may be programmed:

Type	Message No.	Message (Example)	Description
System message	1	Will Return Soon	Messages may be edited through system programming. They can be used by any extension user.
	2	Gone Home	
	3	At Ext %%% (Extension Number)	
	4	Back at %:% (Hour:Minute)	
	5	Out until %/% (Month/Day)	
	6	In a Meeting	
	7		
	8		
Personal message	9		A message is programmable by each extension through personal programming (Personal Absent Message), which can only be used by that extension user.

Note

The "%" shown above indicates a parameter to be entered when assigning a message at an individual extension.

Up to seven "%"s can be stored for each message.

Conditions

- An extension user can select only one Absent Message at a time. The selected message is displayed at the extension while on-hook.
- An extension user who has a Unified Messaging mailbox can also set his absent message from a remote location by following the voice guidance (→ 20.1.74 Unified Messaging—Remote Absent Message).
- The caller must use a display proprietary telephone (PT) to see the Absent Message.

PC Programming Manual References

10.6.1 PBX Configuration—[2-6-1] System—Numbering Plan—Main—Features—◆ Absent Message Set / Cancel

12.1.1 PBX Configuration—[4-1-1] Extension—Wired Extension—Extension Settings—Option 3—◆ Absent Message

- 12.2.1 PBX Configuration—[4-2-1] Extension—Portable Station—Extension Settings—Option 3—◆ Absent Message
- 14.5 PBX Configuration—[6-5] Feature—Absent Message

Feature Manual References

- 23.1 Capacity of System Resources

Operating Manual References

- 1.3.1 Absent Message
- 3.1.2 Personal Programming

2.1.2 Account Code Entry

Description

An account code is used to identify outgoing CO line calls for accounting and billing purposes. The account code is appended to the Station Message Detail Recording (SMDR) call record. For example, a firm can use an account code for each client to determine which calls were made for which client, and can submit a bill to the client according to the client's account code as shown on the SMDR call record.

There are two methods of entering account codes explained below.

One of the methods is selected for each extension based on Class of Service (COS) programming.

Mode	Description
Option	An extension user can enter an account code, but is not required to.
Forced	An extension user must always enter an account code before seizing a CO line.

Conditions

- An account code can be stored in Memory Dialing (One-touch Dialing, for example).
- **Account Button**
A flexible button can be customized as the Account button. The Account button is used in place of the feature number for entering an account code. This button is useful because it can be used at any time, while feature number entry is allowed only when hearing a dial tone before seizing a CO line.
- Extension users can enter an account code at any time during a call, including after the call has been disconnected and a reorder tone is heard. However, if an account code is entered after there is no longer a reorder tone, the call will not be stored in the SMDR record.
- If an account code is entered more than once, the code entered last is logged in the SMDR.
- Even in Forced mode, emergency numbers can be dialed without an account code. (→ 6.1.4 Emergency Call)
- Proprietary telephone (PT) users can also enter an account code for incoming CO line calls during a conversation.
- **Verification Code Entry**
To identify who made a CO line call for accounting and billing purposes, a verification code can be used. This code can be used at any extension. (→ 21.1.1 Verification Code Entry)

PC Programming Manual References

- 10.6.1 PBX Configuration—[2-6-1] System—Numbering Plan—Main—Features—◆ Account Code Entry
- 10.7.1 PBX Configuration—[2-7-1] System—Class of Service—COS Settings—CO & SMDR—◆ Account Code Mode

Feature Manual References

- 4.1.22 COS (Class of Service)
- 7.1.3 Flexible Buttons
- 18.1.4 SMDR (Station Message Detail Recording)

Operating Manual References

- 1.2.1 Making Calls

2.1.3 ARS (Automatic Route Selection)

Description

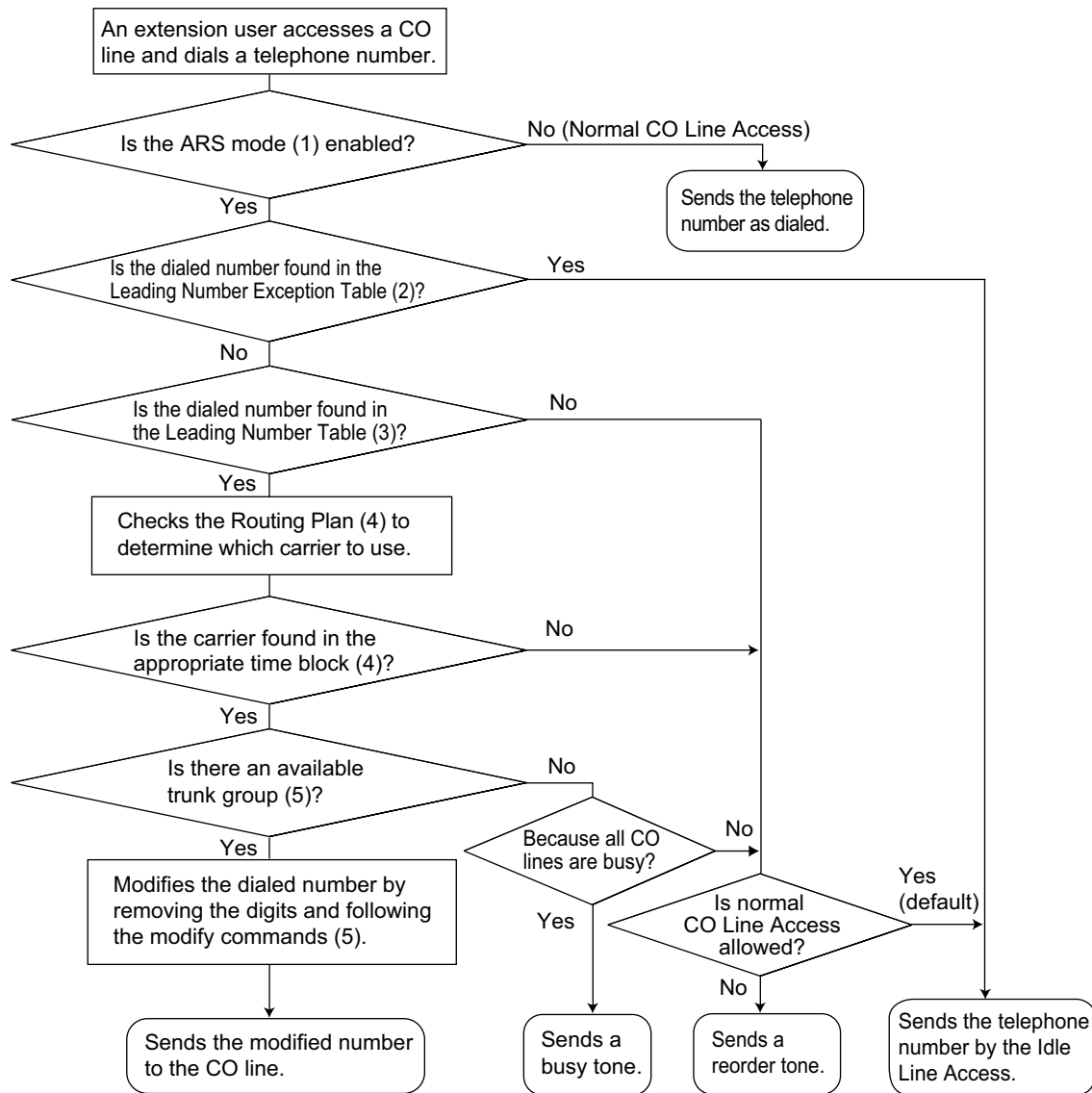
Different telephone carriers charge different rates for calls placed to different areas. Your PBX may use different telephone carriers to make calls to different areas in an effort to reduce costs.

Automatic Route Selection (ARS) is a feature which automatically selects different carriers each time a CO line call is made. In order to use ARS effectively, various ARS-related tables must be preprogrammed to tell the PBX which calls should be placed using which carriers, during which time of day.

If you do not activate ARS, if ARS is bypassed, or if you do not use multiple carriers, CO line calls will be connected via the carrier contracted for each line (default carrier).

[Carrier Selection Procedure Flowchart]

The numbers in parentheses indicate the corresponding items found under [Programming Procedures] on the following pages.

**[Programming Procedures]****1. ARS Mode**

ARS is turned on by selecting under which circumstances it operates – either when an extension user makes a call using the Idle Line Access method, or when any CO Line Access method is used (→ 4.1.16 CO Line Access). ARS can also be turned off for the entire system.

→ 16.1 PBX Configuration—[8-1] ARS—System Setting—◆ ARS Mode

2. Leading Number Exception Table

Once ARS is activated, store the telephone numbers that will bypass ARS in the Leading Number Exception Table.

Note that the first few digits (leading number) of a telephone number, such as an area code or local exchange, can also be stored, so that all calls to those areas or exchanges are exempted from ARS. Also note that the CO Line Access number is always ignored by ARS and does not need to be programmed here.

Calls that are exempt from ARS are connected to the user-selected line, via the default carrier for that line.

[Programming Example: ARS Leading Number Exception Table]

Location No.	Leading No. Exception *1
1	555
2	556
3	567

*1 → 16.6 PBX Configuration—[8-6] ARS—Leading Number Exception

In this example:

555, 556, and 567 are local exchanges. (555-XXXX, 556-XXXX, 567-XXXX)
 These calls can be made using any carrier, and are therefore exempt from ARS.

3. Leading Number Table

Next, store the leading numbers of telephone numbers that should be routed by ARS, and assign a Routing Plan to each leading number that will control how calls containing these leading numbers are routed. When an extension user dials a number which contains a leading number stored in the ARS Leading Number Table, the call will be routed the corresponding Routing Plan assigned here. Note that the CO Line Access number is always ignored by ARS and does not need to be programmed here. Before programming the details of each Routing Plan (explained below), you can simply assign here the same Routing Plan number to all the different leading numbers which will be routed the same way. If a dialed number matches two or more leading numbers stored in the ARS Leading Number Table, the lowest numbered location will have priority.

[Programming Example: ARS Leading Number Table]

Location No.	Leading No.*1	Additional No. of Digits ²	Routing Plan No.*3
1	1212	7	1
2	01181	0	5
3	01144	0	12

*1 → 16.2 PBX Configuration—[8-2] ARS—Leading Number—◆ Leading Number

*2 → 16.2 PBX Configuration—[8-2] ARS—Leading Number—◆ Additional Number of Digits

*3 → 16.2 PBX Configuration—[8-2] ARS—Leading Number—◆ Routing Plan Number

Additional Number of Digits

In order for calls to be made using the desired carrier, telephone numbers dialed by extension users must be modified to meet the criteria required by the carrier. (Refer to 5. Carrier Table.) This modification usually involves removing digits and adding access codes to the beginning of the dialed number.

In situations where a preprogrammed number (such as an Itemized Billing Code) must be added automatically after the telephone number that was dialed by the extension user, set the Additional Number of Digits to a value greater than 0.

4. Routing Plan

Since the preferred carrier may vary depending on the time of day, you can create an ARS-specific time table and break each day of the week into different time blocks. A different carrier can then be assigned to each time block.

Routing Plan Time Table: For each Routing Plan, a different carrier can be assigned for each time of day and each day of the week. Each day can have up to four programmable time blocks.

Routing Plan Priority: For each Routing Plan, a different carrier can be assigned a different priority for each time of day. Generally, the carrier assigned to priority 1 will be used, however, if the CO lines assigned to this carrier are busy, a different available carrier will be used according to priority level.

ARS Leading Number Table

Location No.	Leading No.	Additional No. of Digits	Routing Plan No.
1	1212	7	①
2	01181	0	5
3	01144	0	12

ARS Routing Plan No. ①

Time Table ¹			Carrier ²	
			Priority 1	Priority 2
Monday	Time Block A	9:00	Carrier A	Carrier M
	Time Block B	12:00	Carrier A	Carrier M
	Time Block C	17:00	Carrier C	Carrier M
	Time Block D	23:00	Carrier J	Carrier M

¹ → 16.3.1 PBX Configuration—[8-3] ARS—Routing Plan Time—Time Setting

² → 16.4 PBX Configuration—[8-4] ARS—Routing Plan Priority

5. Carrier Table

Each carrier must be programmed in the Carrier Table. Here each carrier is assigned a carrier number, name, the CO lines it is used with, etc.

→ 16.5 PBX Configuration—[8-5] ARS—Carrier—Carrier

Carrier Name: Assign a name for the carrier. Used only as a reference.

Trunk Group: Assign the trunk groups which can be used when making calls via this carrier.

Carrier Access Code: Enter the carrier's access code. Consult carrier for details.

Removed Number of Digits: There may be circumstances where the user-dialed number must be modified in order for the carrier to connect the call. In this case, enter here the number of digits to be removed automatically from the beginning of the dialed number.

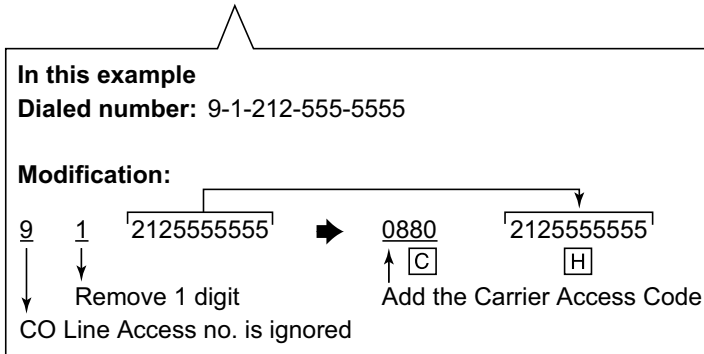
Modify Command: When a call is made using this carrier, the telephone number must be modified to meet the criteria required by the carrier in order to connect the call. Program here the commands needed to modify the user-dialed number as necessary.

[Command Explanation]

Command	Description
C	Inserts the Carrier Access Code
H	Inserts the user-dialed number minus any removed digits
P	Analog Line: Inserts a pause ISDN/T1 Line: Inserts a pause and changes dialing mode to tone (DTMF)
A	Inserts the Authorization Code for Tenant
G	Inserts the Authorization Code for Trunk Group
I	Inserts the Itemized Billing Code
[0-9, *, #]	You can enter any of these digits in a modify command

[Programming Example: Carrier Table]

	Carrier 1	Carrier 2	
Carrier Name ¹	Carrier A	Carrier J	
Trunk Group ²	1, 2, 3	4	
Carrier Access Code ³	0880	0700	
Removed No. of Digits ⁴	1	3	
Modify Command ⁵	CH	CPH	



- ¹ → 16.5 PBX Configuration—[8-5] ARS—Carrier—Carrier—◆ Carrier Name
- ² → 16.5 PBX Configuration—[8-5] ARS—Carrier—TRG 01—TRG 96
- ³ → 16.5 PBX Configuration—[8-5] ARS—Carrier—Carrier—◆ Carrier Access Code
- ⁴ → 16.5 PBX Configuration—[8-5] ARS—Carrier—Carrier—◆ Removed Number of Digits
- ⁵ → 16.5 PBX Configuration—[8-5] ARS—Carrier—Carrier—◆ Modify Command

6. ARS Options

Authorization Code for Tenant

A Carrier Authorization Code can be assigned to each tenant.
 → 16.5 PBX Configuration—[8-5] ARS—Carrier—Authorization Code for Tenant

Authorization Code for Trunk Group

A Carrier Authorization Code can be assigned to each trunk group.
 → 16.7 PBX Configuration—[8-7] ARS—Authorization Code for TRG

Itemized Billing Code

An Itemized Billing Code can be assigned for each extension and for each verification code. If a call is not made from an extension, such as via Direct Inward System Access (DISA) or TIE line, and no verification code is used, the Itemized Billing Code assigned to location 1 in the Verification Code Table will be used.

- 12.1.1 PBX Configuration—[4-1-1] Extension—Wired Extension—Extension Settings—Option 1—◆ ARS Itemized Code
- 12.2.1 PBX Configuration—[4-2-1] Extension—Portable Station—Extension Settings—Option 1—◆ ARS Itemized Code
- 14.3 PBX Configuration—[6-3] Feature—Verification Code—◆ Itemized Billing Code for ARS

Conditions

CAUTION

The software contained in the ARS feature to allow user access to the network must be upgraded to recognize newly established network area codes and exchange codes as they are placed into service.

Failure to upgrade the premises PBXs or peripheral equipment to recognize the new codes as they are established will restrict the customer and the customer's employees from gaining access to the network and to these codes.

KEEP THE SOFTWARE UP-TO-DATE WITH THE LATEST DATA.

- **Logging Outgoing Calls by SMDR**

Whether SMDR logs the user-dialed number or the ARS-modified number is determined through system programming. (→ 18.1.4 SMDR (Station Message Detail Recording))

→ 19.1 PBX Configuration—[11-1] Maintenance—Main—SMDR Options—◆ Option—ARS Dial

- **ARS Data Import/Export**

ARS tables and data can be copied to and from the PBX and a PC using the Maintenance Console software. Files are saved in CSV (Comma Separated Value) format. Because of the large amounts of programming that may be necessary to use ARS effectively, you may choose to export ARS tables and data to a PC, edit them using the software of your choosing, then import the new data to the PBX. This is particularly convenient if you need to update your ARS tables for new area codes or telephone rates, or when you'd like to copy ARS tables from one PBX to another.

→ 6.5 Tool—Import

→ 6.6 Tool—Export

- **TRS**

Toll Restriction (TRS) checks are performed before ARS number modification, so program TRS Denied Code Tables and Exception Code Tables accordingly. (→ 19.1.5 TRS (Toll Restriction))

- **When ARS Routing Takes Place**

ARS routing takes place after the preprogrammed number of digits (leading number + additional number of digits) have been dialed.

PC Programming Manual References

6.5 Tool—Import

→ARS - Leading Digit

→ARS - Except Code

→ARS - Routing Plan

6.6 Tool—Export

10.3 PBX Configuration—[2-3] System—Timers & Counters—Dial / IRNA / Recall / Tone—◆ Dial—Extension Inter-digit

10.9 PBX Configuration—[2-9] System—System Options—Option 3—◆ Dial Tone—Dial Tone for ARS

12.1.1 PBX Configuration—[4-1-1] Extension—Wired Extension—Extension Settings—Option 1—◆ ARS Itemized Code

12.2.1 PBX Configuration—[4-2-1] Extension—Portable Station—Extension Settings—Option 1—◆ ARS Itemized Code

14.3 PBX Configuration—[6-3] Feature—Verification Code—◆ Itemized Billing Code for ARS

Section 16 PBX Configuration—[8] ARS

19.1 PBX Configuration—[11-1] Maintenance—Main—SMDR Options—◆ Option—ARS Dial

Feature Manual References

23.1 Capacity of System Resources

2.1.4 Automatic Callback Busy (Camp-on)

Description

If the line is busy when a call is made, a callback ring can inform the caller when the line becomes free.

2.1.5 Automatic Extension Release

If the called party was another extension, or if the dialed number is handled by Automatic Route Selection (ARS), the number is automatically redialed after the extension user answers the callback ring.

Conditions

- If the callback ring is not answered within 10 seconds, callback is canceled.
- If the extension hears a busy tone before dialing the telephone number, only the CO line or trunk group is reserved. After answering the callback ring, the extension should dial the telephone number.
- An extension can set only one Automatic Callback Busy. The last setting is effective.
- Multiple extension users can set this feature for the same CO line at the same time. However, a maximum of four extension users can set this feature to one extension. Callback ringing will be sent to extensions in the order that the feature was set. In other words, the extension that set the feature first will receive a callback ringing first.
- This feature cannot be used for calls to a VPS, or the Unified Messaging system.

PC Programming Manual References

- 10.6.1 PBX Configuration—[2-6-1] System—Numbering Plan—Main—Features—◆ Automatic Callback Busy Cancel
- 10.6.3 PBX Configuration—[2-6-3] System—Numbering Plan—B/NA DND Call Feature—◆ Automatic Callback Busy

Operating Manual References

- 1.3.4 Automatic Callback Busy (Camp-on)

2.1.5 Automatic Extension Release

Description

After going off-hook, if an extension user fails to dial any digits within a preprogrammed time period, the user will hear a reorder tone. This operation applies to intercom calls only. This feature is also known as Automatic Station Release.

Conditions

- A proprietary telephone (PT)/portable station (PS) user hears a reorder tone for a preprogrammed time period, and then the PT/PS returns to idle status automatically. A single line telephone (SLT) user will hear a reorder tone until he or she goes on-hook.
- **This feature works in one of the following cases:**
 - When making an intercom call
 - a. The first digit is not dialed within a preprogrammed time period.
 - b. A digit is dialed, but subsequent digits are not dialed within a preprogrammed time period.

PC Programming Manual References

- 10.3 PBX Configuration—[2-3] System—Timers & Counters—Dial / IRNA / Recall / Tone
 - ◆ Dial—Extension First Digit
 - ◆ Dial—Extension Inter-digit
 - ◆ Tone Length—Reorder Tone for PT Handset
 - ◆ Tone Length—Reorder Tone for PT Hands-free

2.1.6 Automatic Fax Transfer

Description

The PBX can distinguish between fax calls and other types of calls arriving on DISA lines, and automatically transfer fax calls to preprogrammed destinations. When a call arrives on a DISA line, an OGM is played (→ 14.1.2 OGM (Outgoing Message)). At the same time, the PBX begins fax signal detection. If a fax signal is detected, the PBX recognizes that the call is a fax call, and transfers the call to the fax destination assigned to that OGM through system programming. This allows a single CO line to be used seamlessly for both voice and fax calls, with only voice calls arriving at user extensions.

[Available Automatic Fax Transfer Destinations]

Destination	Availability
Wired Extension (PT/SLT/T1-OPX)	✓
PS	✓ ^{*1}
ICD Group	✓
SIP Extension	
PS Ring Group	
UM Group	
VM Group (DTMF/DPT)	
Fax Unit	✓
External Pager (TAFAS)	
DISA	
Idle Line Access no. + Phone no.	
Trunk Group Access no. + Trunk Group no. + Phone no.	
Extension of Another PBX (via TIE Line, Access with PBX Code)	
Extension of Another PBX (via TIE Line, Access without PBX Code)	

^{*1} A PS destination can be used to forward fax calls to a fax machine at another PBX connected by TIE line. A virtual PS can be specified as the destination of fax calls. Then, the extension number of the fax machine at the other PBX can be specified as the FWD—ALL Calls destination for calls to that virtual PS. (→ 21.1.2 Virtual PS)

Conditions

- This feature is only effective for calls arriving on DISA lines.
- If a fax signal is not detected before the DISA Intercept Routing—No Dial timer expires, the call is redirected to the operator extension, and fax detection ends.
- If the fax tone (CNG signal) detection is delayed because of the fax machine type or the state of the line, the DISA intercept timer may time out and the fax cannot be received. In this case, increasing the DISA intercept timer by 5 to 10 seconds will help avoid this problem.

PC Programming Manual References

10.3 PBX Configuration—[2-3] System—Timers & Counters—DISA / Door / Reminder / U. Conf—◆
DISA—Intercept Timer—Day, Lunch, Break, Night

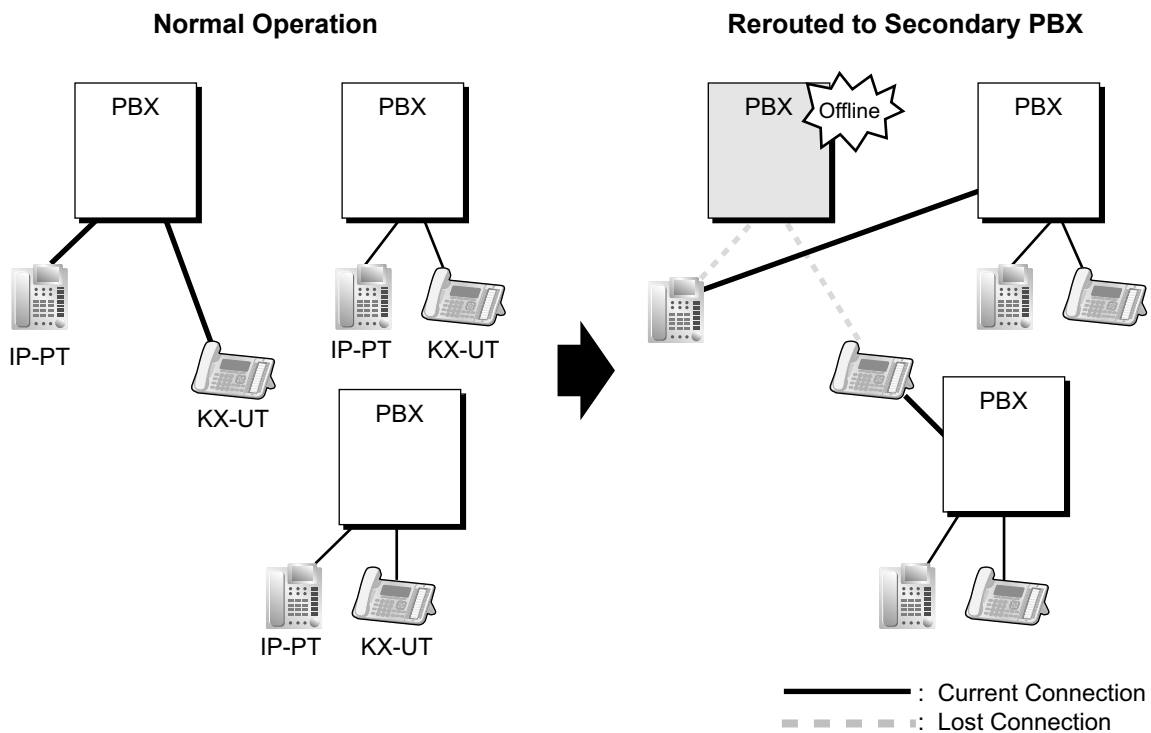
Feature Manual References

- 5.1.9 DISA (Direct Inward System Access)
- 20.1.38 Unified Messaging—Fax Server

2.1.7 Automatic Rerouting to Secondary PBX

Description

If an IP extension loses its connection to its primary PBX, it can automatically reconnect to a specified secondary PBX. The connection can be lost due to factors such as network outages or the PBX going offline. When the primary PBX is available again, the extensions automatically reconnect to it.



The following types of extensions support rerouting to a secondary PBX:

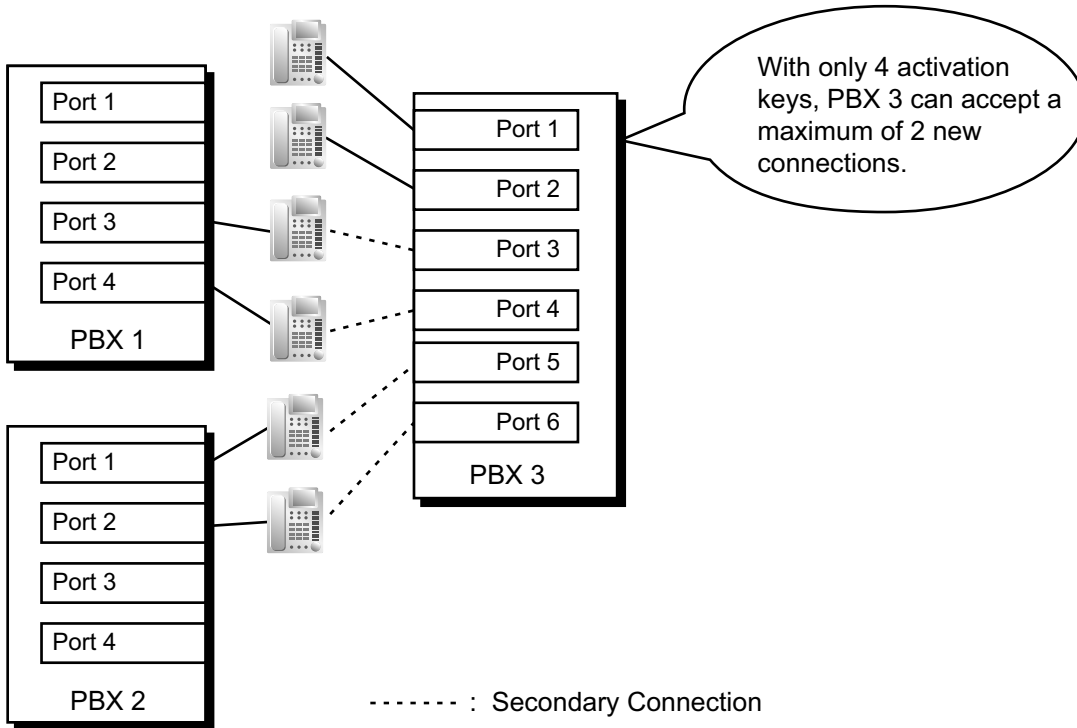
- KX-NT300 series IP-PTs
- KX-NT500 series IP-PTs
- KX-UT series SIP phones

Conditions

- Extensions must be preregistered at the secondary PBX. When you register an IP extension, you can specify the site to use for the secondary PBX connection. The secondary PBX must contain the same type of card to which the extension is registered at the primary PBX.

- Each IP extension that uses this feature requires 2 ports: 1 at the primary PBX and 1 at the secondary PBX. Therefore, the total number of individual IP extensions that can be connected to the system is reduced.
- To continue to provide Unified Messaging service, a mailbox can be created at the secondary PBX with the same number as the one on the primary PBX.
- Even if the primary PBX becomes available again, an extension will not reconnect to it if the extension is on a call.
If BGM (→ 3.1.2 BGM (Background Music)) is being played through the extension while it is connected to the secondary PBX, it will not reconnect to the primary PBX when it becomes available.
- Call history information (incoming call log [→ 4.1.5 Call Log, Incoming] and redial [→ 17.1.1 Redial, Last Number]) for IP-PTs is not transferred to or from the secondary PBX. Therefore, when the extension connects to the secondary PBX, call history information accumulated at the primary PBX cannot be accessed, and any call history information accumulated at the secondary PBX cannot be accessed once operation returns to the primary PBX.
- IP-PTs monitor the connection to the PBX themselves. Therefore, these extensions can switch back to their primary PBX even in isolated mode where Slave units do not communicate with each other. A KX-UT extension cannot switch back to its primary PBX in isolated mode. For a KX-UT extension to reconnect to the primary PBX, both the primary PBX and secondary PBX must be able to communicate with each other through the Master (or Backup Master) unit.
- The secondary PBX for a KX-UT extension must be on the One-look network. The secondary PBX for IP-PTs may be connected via a QSIG network. In this case, the secondary PBX settings are configured on the extension only; no programming is necessary at the primary PBX.
- If the Master unit has gone offline, extensions cannot reconnect to it until it has been returned to normal operation.
- For IP-PTs, the IP address of the secondary PBX must be programmed manually. For details, refer to "5.8.1 Assigning IP Addressing Information" in the Installation Manual.
- Registration of extensions must be performed at the primary PBX.
- Even if an extension is on a call using P2P, if it changes its connection from its primary PBX to its secondary (or back), the call will be dropped even though the call is not routed through a PBX. (→ 15.1.5 Peer-to-Peer (P2P) Connection)
- For KX-UT extensions, the IP addresses of the primary PBX and secondary PBX are downloaded from the PBX. Specifying the host names of sites to be resolved via DNS is not recommended.
- Activation keys are necessary at each PBX that will accept secondary connections. However, an activation key is required only when an extension actually connects to the PBX, and the activation key is released when the extension reconnects to its primary PBX. Therefore, it is necessary to have only enough activation keys for the number of extensions that will connect at any one time.

[Example]



If PBX 3 has only 4 activation keys, operation can continue if either PBX 1 or PBX 2 goes offline, but if both PBX 1 and PBX 2 go offline, the number of activation keys will be insufficient. However, the activation keys for extensions at the Master unit are copied to the Backup Master unit in Backup Master mode. Therefore, if the extensions specify the Backup Master unit as their secondary PBX, additional activation keys are not necessary.

- KX-UT extensions connected over a remote connection via an SBC are subject to further limitations when using this feature. For details, see "18.1.1 Simple Remote Connection".

Installation Manual References

8.4.2 One-look Networking Survivability—Automatic Rerouting to Secondary PBX

PC Programming Manual References

9.15 PBX Configuration—[1-1] Configuration—Slot—V-IPEXT32—Port Property—Secondary Setting

9.21 PBX Configuration—[1-1] Configuration—Slot—V-UTEXT32—Port Property—Secondary Setting

2.1.8 Automatic Time Adjustment

Description

The PBX clock can be adjusted automatically in the following two ways:

1. Daylight Saving Time Setting

The start and end dates of Daylight Saving Time can be programmed. The PBX clock will automatically adjust itself one hour forward or backward at 2:00 A.M. on the programmed date, if enabled through system programming. At 2:00 A.M. on the start date, the clock will change to 3:00 A.M., and at 2:00 A.M. on the end date, the clock will change to 1:00 A.M.

Note

If a Timed Reminder (Remote Wake-up call) is set:

- On the Daylight Saving Time start date, a reminder set for between 2:00 A.M. and 3:00 A.M. will not ring.
- On the Daylight Saving Time end date, a reminder set for between 1:00 A.M. and 2:00 A.M. will ring twice.

2. Time Information from Telephone Company

Time information can be received when

- An incoming or outgoing call through an ISDN line is received/made.
 - An incoming call through an analog line with Caller ID which includes time information is received.
- The PBX clock will be adjusted every day with the first call after 3:05 AM, if enabled through system programming.

Note

If a Timed Reminder (Remote Wake-up call) is set, the setting will not ring or will ring twice depending on the adjustment.

3. Time Information through Network Time Protocol (NTP)

By connecting the PBX to an NTP server, it is possible to receive and update the time setting. The PBX clock will be adjusted every day at 3:05 AM, if enabled through system programming.

Conditions**[General]**

- Through system programming, it is possible to specify NTP, ISDN, or neither method as the selected method of automatic time adjustment.
- Station Message Detail Recording (SMDR) will log call information using the PBX clock so that the logging time will be overlapped at the end of Daylight Saving Time. (→ 18.1.4 SMDR (Station Message Detail Recording))

[NTP Time Information]

- The time set through NTP will apply the same to all PTs connected to the PBX, regardless if an IP extension is located in another time zone.
- The PBX provides NTP server information to KX-UT extensions (→ 11.1.1 KX-UT Series SIP Phones) if the **NTP server** setting is enabled. If an NTP server has been specified through system programming, KX-UT extensions will retrieve their time from that server. If no NTP server has been specified, the PBX will use its own IP address as the NTP server for the KX-UT extension.
If **NTP server** is disabled, the time for KX-UT extensions must be set individually at each telephone.

PC Programming Manual References

- 10.1.1 PBX Configuration—[2-1-1] System—Date & Time—Date & Time Setting
- 10.1.2 PBX Configuration—[2-1-2] System—Date & Time—SNTP / Daylight Saving
- 10.1.2.1 PBX Configuration—[2-1-2] System—Date & Time—SNTP / Daylight Saving—Daylight Saving
- 27.2.4 Network Service—[2-5] Server Feature—NTP—◆ NTP server

Feature Manual References

- 10.1.16 ISDN (INTEGRATED SERVICES DIGITAL NETWORK) FEATURES
- 19.1.4 Timed Reminder

Section 3

Features and Configurations—B

3.1 B

3.1.1 Backup Master Mode and Isolated Mode

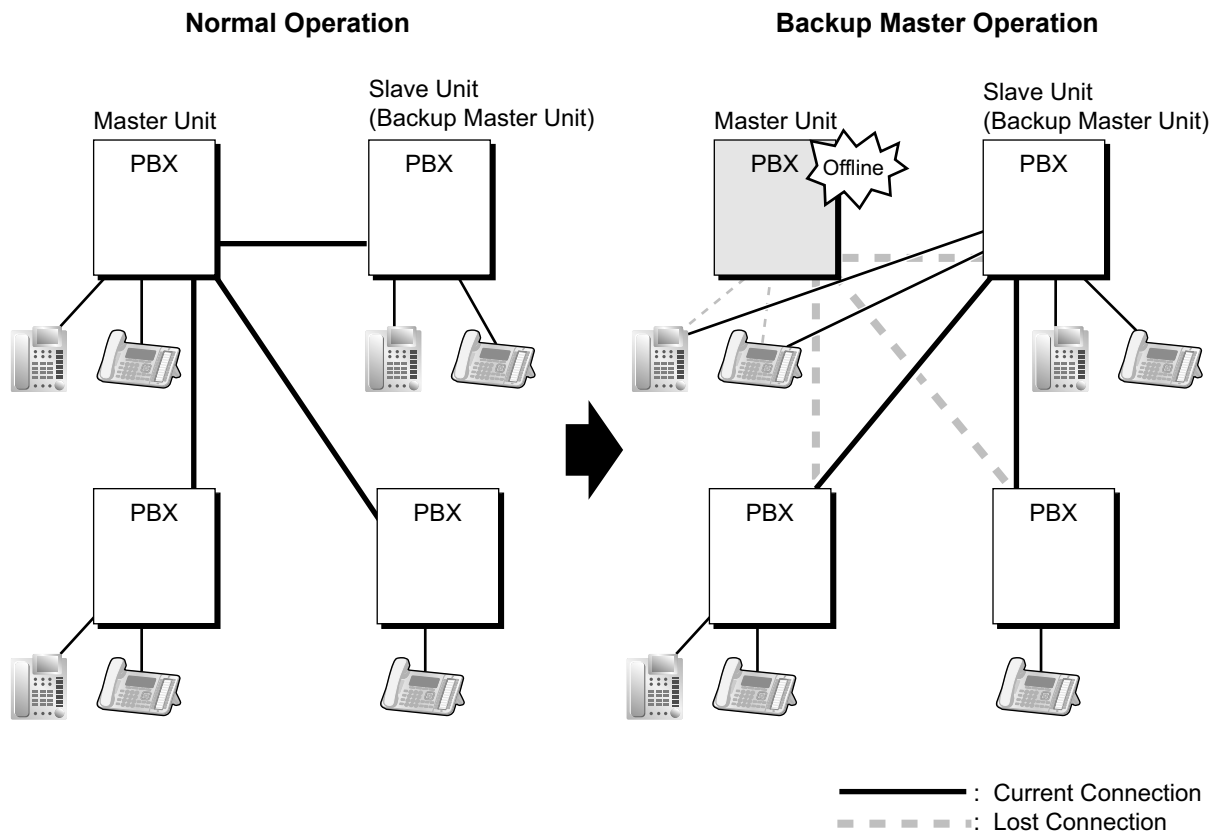
Description

In a One-look network, if the Master unit fails or otherwise goes offline, a Slave unit that is designated as the Backup Master unit assumes operation as the Master unit.

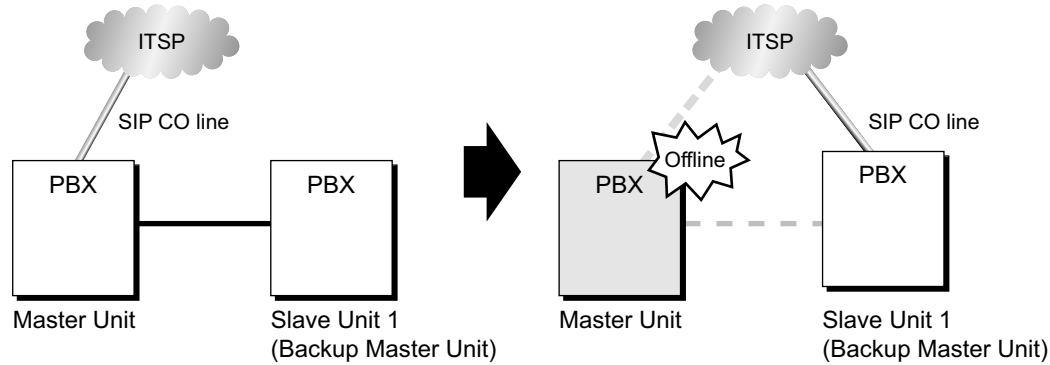
If the Backup Master unit also goes offline or none is specified, Slave units can switch to Isolated mode.

Backup Master Mode

When the Master unit goes offline, the Slave units will detect the change in status. The designated Slave unit will switch to Backup Master mode, and the other Slave units will use the Backup Master unit as the Master unit.



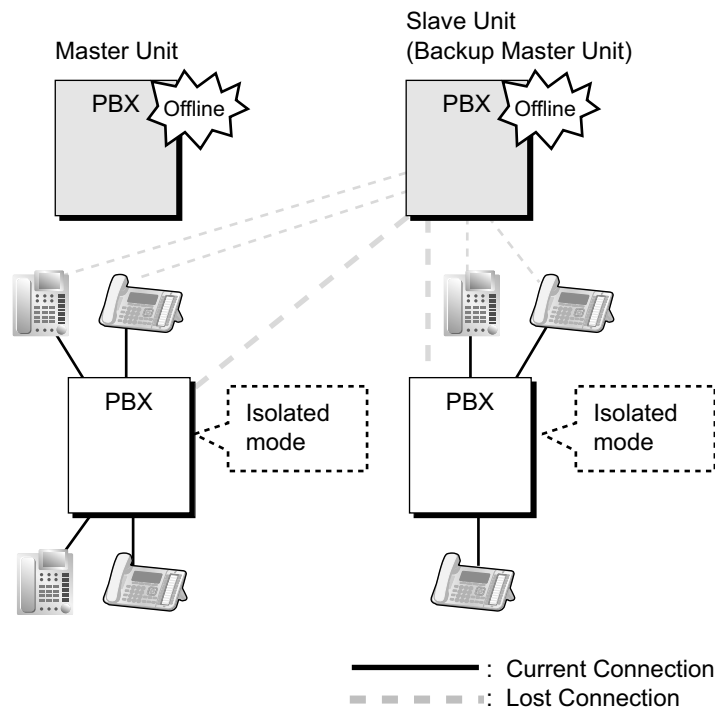
SIP CO lines can be configured to switch their operation to the Backup Master unit.



Isolated Mode

If no PBX is designated as the Backup Master unit, or if the Backup Master unit also goes offline, Slave units will operate in Isolated mode if they are set to do so.

In Isolated mode, each PBX will provide service to the extensions registered to it and for the CO lines connected to it.



Conditions

IMPORTANT

In Backup Master mode and Isolated mode, there are no restrictions on performing software upgrades (→ 20.1.97 Upgrading the Software). However, if an upgrade is applied while any unit is offline, the offline unit will no longer be able to participate in the One-look network because its software version will be different from the other PBXs' software version.

- When the Master unit (or Master Backup unit) recovers, it does not automatically reassume operation as the Master unit. Operation must be resumed manually through Web Maintenance Console.

- When operation switches modes (e.g., normal operation to Backup Master operation), service at all sites is temporarily interrupted. For example, all active calls will be disconnected, including P2P calls.
- Activation keys are copied and are available to the Backup Master unit or Isolated units for use in their respective modes. However, trial activation keys will not be available. Copied activation keys are valid for 10 days, starting when the unit begins operation. When operation is returned to normal, this 10 day limit is reset.
- During normal operation, system data is copied from the Master unit to all Slave units. System data includes information such as extension settings, system speed dialing, time mode, etc. System data is copied from the Master unit to the designated Backup Master unit as soon as Backup Master operation is enabled through system programming. System data is copied from the Master unit to Slave units whenever system data is saved. Data is saved when the programmer clicks the save button in Web Maintenance Console and when the programmer logs out of Web Maintenance Console. Data is also saved automatically every 30 minutes.
- During Backup Master operation and Isolated operation, system data can be changed. However, the changed data is not copied back to the Master unit (or Backup Master unit) when normal operation resumes.
- Unified Messaging data is not copied to the Backup Master unit or other Slave units. For details about Unified Messaging survivability features, see "20.1.1 UM Group Failover".
- SRAM data such as SMDR data, the error log, timed reminders, etc., is not copied to the Backup Master unit or other Slave units. While the Master unit (or Backup Master unit) is offline, the SRAM data is maintained so that when normal operation resumes, the SRAM is in the same state it was in when the Master unit (or Backup Master unit) went offline.
- During Backup Master operation or Isolated operation, data stored in the SRAM, such as SMDR data, is collected at the Backup Master unit (in Backup Master mode) or Isolated unit (in Isolated mode). However, this data is not copied back to the Master unit (or Backup Master unit) when normal operation resumes. If it is necessary to output this data, connect a printer to the appropriate unit and print out the necessary data. Outputting the SRAM data must be done in Backup Master mode for the Backup Master unit or in Isolated mode for an Isolated unit.
- OGM data is not copied to the Backup Master unit or other Slave units. OGM messages are stored separately at each site. If OGM must be the same between sites, copy the messages manually beforehand.
- **System Time**
 - Backup Master unit: If the unit is configured to retrieve the current time from an ISDN line, Caller ID, or NTP, or if the time is set manually, it continues to use that method. If the unit was retrieving the current time from the Master unit, it continues using the time it had when operation switched to Backup Master mode.
 - Slave units (in Backup Master mode): If the unit is configured to retrieve the current time from the Master unit, it will retrieve the time from the Backup Master unit. Otherwise, it continues using the specified method (ISDN, Caller ID, etc.).
 - Isolated units: If the unit is configured to retrieve the current time from the Master unit, it will continue using the time it had when operation switched to Isolated mode. Otherwise, it continues using the specified method (ISDN, Caller ID, etc.).

[CA (Communication Assistant)]

- If you are using CA Server, a separate, backup CA Server must be connected to the Backup Master unit to continue operation of CA in Backup Master mode. CA Client users will need to restart the CA Client program and manually input the IP address of the CA Server connected to the Backup Master unit. To continue operation of CA in Isolated mode, a backup CA Server will need to be connected to each PBX from which CA services will be provided. CA Client users will also need to change the IP address for CA Server as necessary.
- If you are using CA in PBX-only mode (i.e., without CA Server), CA services will be provided automatically by the Backup Master unit or isolated unit. However, CA Client users will need to restart the CA Client program and manually input the IP address of the Backup Master unit or isolated unit as necessary.

[IMAP4]

- If you are using IMAP integration (→ 20.1.45 Unified Messaging—IMAP Integration), you can use one of the following methods to continue operation in Backup Master mode and Isolated mode:
 - In the mail client, configure multiple accounts: one to contact the Master unit and the others to contact the Backup Master unit, Isolated units, etc.
 - If you use a DNS server to resolve a host name (FQDN) for connecting to the IMAP server, configure the IMAP server's DNS record to contain the IP addresses of the Backup Master unit and Isolated units as alternate addresses.

[SIP Trunk]

- The necessary account information for connecting the SIP CO line must be configured at the Backup Master unit beforehand. This information is not automatically set from the Master unit.
- This feature can be used only between the Master unit and the Backup Master unit. If a SIP CO line is specified as a backup at a site other than the Backup Master unit (including the Master unit), the setting is ignored.

Installation Manual References

- 2.1.1 System Configurations—One-look Networking Survivability
- 8.4.2 One-look Networking Survivability
 - Backup Master Mode
 - Isolated Mode

PC Programming Manual References

- 3.1 Home Screen
- 9.5.1 PBX Configuration—[1-1] Configuration—Slot—Site Property—Main—Main—◆ Isolated Mode
- 9.11 PBX Configuration—[1-1] Configuration—Slot—V-SIPGW—Port Property—Main—◆ Backup

3.1.2 BGM (Background Music)**Description**

A proprietary telephone (PT) user can listen to background music (BGM) through the built-in speaker while on-hook and idle. The following audio sources are available for BGM:

- External Music Source
- Internal Music Source

BGM—External:

BGM can also be broadcast in the office through external pagers (loudspeakers) and can be turned on and off by an extension assigned as a manager.

Conditions**[BGM]**

- **Hardware requirement:** User-supplied music source (when an external music source is assigned)
- The music heard through the PT is interrupted when going off-hook.
- Each extension user can select the audio source.
- Through system programming, it is possible to specify the maximum number of IP-PTs that can simultaneously perform the BGM feature. Changing this setting may affect the number of simultaneous IP extension and IP CO line calls available on the mother board.

[BGM—External]

- **Hardware requirement:** A user-supplied external pager
- External pagers can be used with the following priorities:
Trunk Answer From Any Station (TAFAS) → Paging → BGM
(→ 15.1.1 Paging, → 19.1.1 TAFAS (Trunk Answer From Any Station))

Installation Manual References

4.10 Connection of Peripherals

PC Programming Manual References

- 9.5 PBX Configuration—[1-1] Configuration—Slot—Site Property—VoIP-DSP Options—◆ IP Extension Count of BGM
- 10.2 PBX Configuration—[2-2] System—Operator & BGM
→◆ BGM and Music on Hold—Music Source of BGM
- 10.6.1 PBX Configuration—[2-6-1] System—Numbering Plan—Main—Features
→◆ External BGM On / Off
→◆ BGM Set / Cancel
- 10.11.1 PBX Configuration—[2-11-1] System—Audio Gain—Paging/MOH
→◆ External MOH—MOH 1 (Music On Hold 1)
- 13.2 PBX Configuration—[5-2] Optional Device—External Pager

Operating Manual References

- 1.3.5 BGM (Background Music)
- 2.1.2 External BGM (Background Music)

Section 4

Features and Configurations—C

4.1 C

4.1.1 CA (Communication Assistant)

Description

Panasonic Communication Assistant (CA) is a CTI application usable with any telephone (except SIP extensions). A CTI server is not required to use CA. CA Client has 4 operating modes: Basic-Express, Pro, Supervisor, and Operator Console.

- **Basic-Express Mode:**
Only basic features are available, such as call control.
- **Pro Mode:**
A pro user can see the presence (phone status and absent message) of other extensions.
- **ICD Group Supervisor Mode:**
A supervisor can use this feature to monitor users within an ICD group from a PC.
- **Operator Console Mode:**
An operator or secretary can manage and redirect multiple calls simultaneously with a graphical interface.

Class of Service (COS) Settings

The following CA features can be disabled on a COS basis via system programming:

- Chat
- ICD Group Log Out

Microsoft® Outlook® Integration

CA users who have Microsoft Outlook installed can use CA features, such as making and answering calls, directly from Outlook.

Users who have Unified Messaging mailboxes can also use Microsoft Outlook to access their messages through the e-mail interface (→ 20.1.61 Unified Messaging—Microsoft Outlook Integration).

Conditions

- Activation keys are required to enable the application, some of which are preinstalled on the mother board.
- CTI support for SIP extensions is available only for KX-UT series SIP phones.
- CA version 4.0 or later is required.
- For details, refer to the documentation for CA.

PC Programming Manual References

9.5 PBX Configuration—[1-1] Configuration—Slot—Site Property—Port Number—◆ Built-in Communication Assistant Server

10.7.1 PBX Configuration—[2-7-1] System—Class of Service—COS Settings—CA

12.1.1 PBX Configuration—[4-1-1] Extension—Wired Extension—Extension Settings—Option 9—◆ Built-in Communication Assistant

12.2.1 PBX Configuration—[4-2-1] Extension—Portable Station—Extension Settings—Option 9—◆ Built-in Communication Assistant

Feature Manual References

4.1.22 COS (Class of Service)

4.1.2 Call Distribution Port Group

Description

It is possible to set which virtual port receives each call depending on the telephone number of the called party. By assigning each port to a Call Distribution Port Group (CDPG), it is possible to select which group receives each call. CDPG settings cover all V-IPGW cards in the PBX, which allows for ports on different cards to be assigned to the same CDPG. In other words, two 8-port cards can be used as one 16-port card.

Programming Example:

To enable this feature, it is necessary to program the following 2 tables through system programming:

- CDPG Table
 - in order to assign ports to Call Distribution Port Groups.
- Hunt Pattern Table
 - in order to program a priority list of CDPG destinations for each leading number.

[Programming Example of the CDPG Table]

V-IPGW Card Number	Port Number	Call Distribution Port Group ¹
1	1	CDPG 1
1	2	CDPG 2
1	:	:
1	8	CDPG 2
2	1	CDPG 1
2	:	:
2	8	CDPG 3

¹ → 9.13 PBX Configuration—[1-1] Configuration—Slot—V-IPGW16—Port Property—◆ Call Distribution Port Group

[Programming Example of the Hunt Pattern Table]

No.	Leading Number ¹	Call Distribution Port Group (1st) ²	Call Distribution Port Group (2nd) ²	...	Call Distribution Port Group (16th) ²
1	10	CDPG 1	CDPG 4	...	-
2	20	CDPG 1	CDPG 2	...	CDPG 3
:	:	:	:	...	:
32	300	CDPG 8	CDPG 11	...	-

¹ → 9.12.2 PBX Configuration—[1-1] Configuration—Slot—Shelf Property - Virtual IP Gateway—Hunt Pattern—Hunt Pattern 1–16—◆ Leading Number

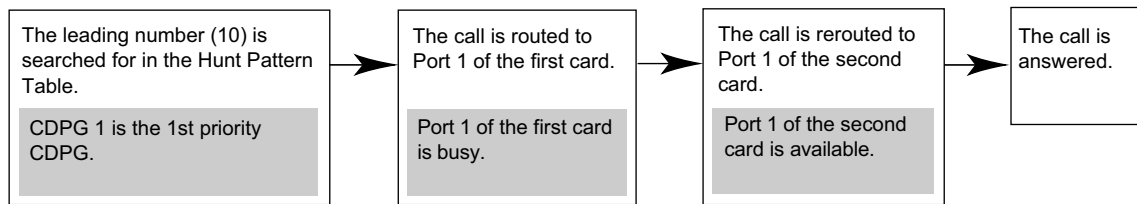
² → 9.12.2 PBX Configuration—[1-1] Configuration—Slot—Shelf Property - Virtual IP Gateway—Hunt Pattern—Hunt Pattern 1–16—◆ Call Distribution Port Group—1st–16th

Note

The same CDPG can be set for several leading numbers.

Explanation:

As shown in the CDPG table above, CDPG 1 consists of Port 1 of the first card and Port 1 of the second card. When "1023-456-7890" (leading number: 10) is dialed:



If all the ports belonging to CDPG 1 are busy, the call is rerouted to the lowest-numbered available port belonging to CDPG 4, which is set as the second priority for this leading number.

Installation Manual References

4.4 Virtual Cards

PC Programming Manual References

9.12.2 PBX Configuration—[1-1] Configuration—Slot—Shelf Property - Virtual IP Gateway—Hunt Pattern

9.13 PBX Configuration—[1-1] Configuration—Slot—V-IPGW16—Port Property

Feature Manual References

15.1.23 Private Network Features—VoIP (Voice over Internet Protocol)

4.1.3 Caller ID

Description

The PBX can receive Caller ID information (a caller's name and telephone number) from calls received on CO lines. This information can be shown on a proprietary telephone (PT) display when receiving a call and can be used to direct calls from specific callers to specific destinations automatically. Additionally, Caller ID information is logged in the Incoming Call Log of the extension which received the call, allowing the caller to view a record of incoming calls or make a call to a person in the call log later.

The PBX can be programmed to modify a caller's telephone number when it is received and, for example, add a CO Line Access number or add/delete certain digits of incoming telephone numbers automatically. This allows an extension user to be able to make a call later to a telephone number logged in his or her call log without worrying about CO Line Access numbers, area codes, etc.

Note

- The term "Caller ID" used in this Feature Manual refers to features that can receive caller information sent from the telephone company and received on analog and ISDN lines. Your network provider may use a different name for this type of service.
- To receive Caller ID information, you must subscribe to the telephone company's Caller ID service and enable Caller ID for the appropriate CO line through system programming.

Caller ID to SLT Port:

Caller ID information can also be shown on a single line telephone (SLT) display. This feature is available only for SLTs compatible with FSK-type Caller ID.

1. Caller ID Features

There are three features which can receive Caller ID information. The available feature depends on the type of CO line receiving the call.

Feature	Description	Details in
Caller ID	Receives caller information sent from the telephone company over analog CO lines.	–
Calling Line Identification Presentation (CLIP)	Receives caller information sent from the telephone company over ISDN lines.	–
Automatic Number Identification (ANI)	Receives caller information sent from the telephone company over T1 lines (stacking connection only).	–

2. Caller ID-Related Features

Feature	Description	Details in
Calling Line Identification (CLI) Distribution	Caller ID information received by the PBX is used to direct calls from specific callers to specific destinations. The caller's telephone number and a destination must be assigned in the System Speed Dialing Table.	→ 4.1.14 CLI (Calling Line Identification) Distribution
Incoming Call Log	Caller information is automatically recorded in the call log of the extension which received the call. This information can be used to view a record of incoming calls or make calls to any number in the call log.	→ 4.1.5 Call Log, Incoming

3. Automatic Caller ID Number Modification

When a call is received, the PBX can automatically modify the caller's telephone number according to a preprogrammed set of rules (Caller ID Modification Table). This modified number will be automatically stored in the extension's Incoming Call Log, allowing the extension user to make a call to this number later without worrying about CO Line Access numbers, area codes, etc.

Each trunk group can be assigned a modification table. Each table has ten formulas for modifying local/international numbers, and one formula for modifying long distance numbers. When a call is received, the PBX compares the received telephone number to the area codes programmed under "Local/International Call Data" first. If a match is not found, the telephone number will be modified according to the method programmed under "Long Distance Code".

[Programming Example: Caller ID Modification]**<Table Selection>**

Trunk Group No.	Modification Table
1	1
2	3

<Modification Table>

Modification Table 1			
	Area Code	Removed No. of Digits	Added No.
Local/International Call Data 1	212	3	0
Local/International Call Data 2	011	3	001
Local/International Call Data 10			
Long Distance Code Data	[Not programmable]	0	0

Note

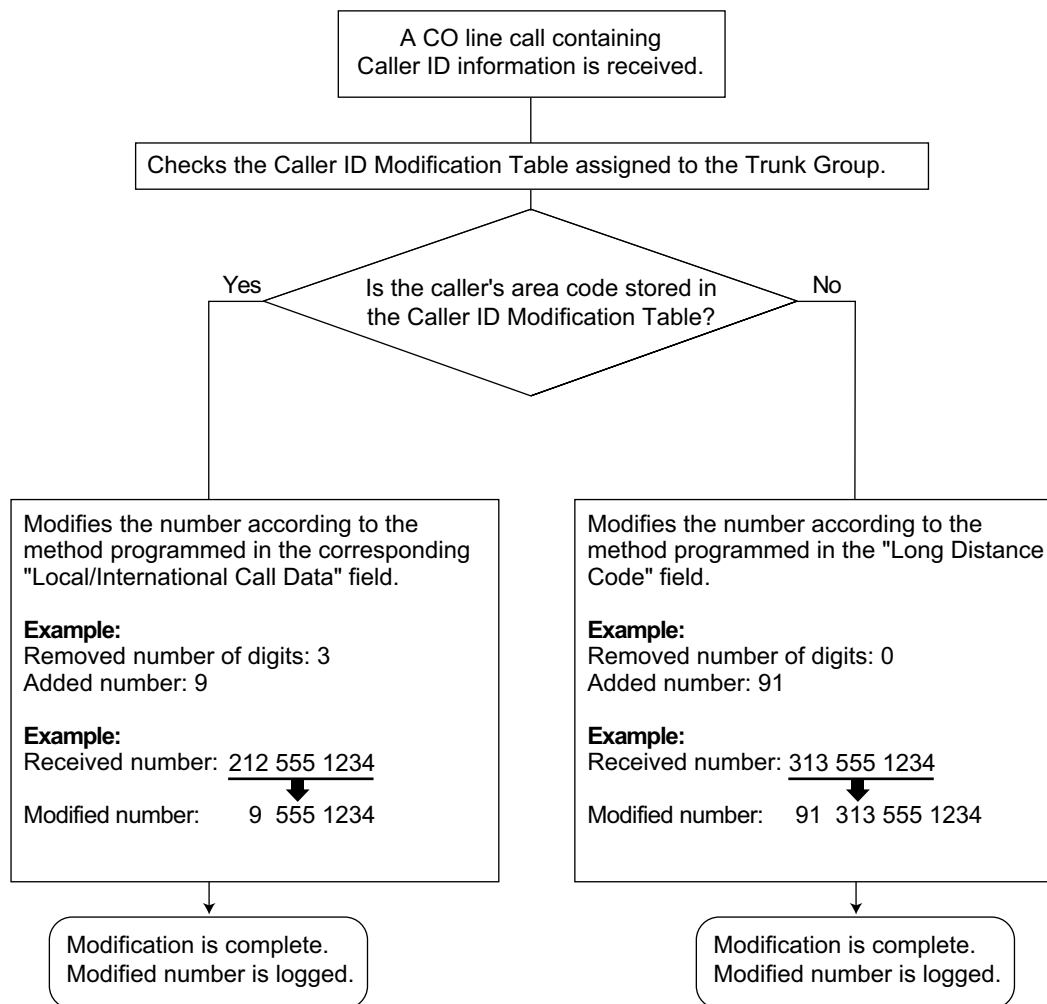
When Caller ID information is received from a call on an ISDN line and the call type is International, National, or Subscriber, the following modification table is used instead of the above table:

<Modification Table>

	Removed No. of Digits	Added No.
International Call Data	0	011
National Call Data	0	1
Subscriber Call Data	0	

Data entered under "Removed No. of Digits" and "Added No." for International, National, and Subscriber call data will be applied respectively to international, long distance, and local calls.

<Modification Flowchart>

**4. System Speed Dialing Table**

The System Speed Dialing Table can store telephone numbers, names, and CLI destinations for hundreds of callers.

- a. **Telephone Number:** Contains a CO Line Access number and the caller's telephone number. If Automatic Caller ID Number Modification is used, telephone numbers should be stored in the System Speed Dialing Table in their modified format in order for CLI distribution to function.
- b. **Caller's Name:** Shown on the display and logged (Incoming Call Log, Station Message Detail Recording [SMDR]) when a call from this telephone number is received.
- c. **CLI Destination:** The destination to which an incoming call from the stored telephone number is directed via the CLI distribution feature.

[Programming Example: System Speed Dialing Table]

Location (System Speed Dialing No.)	System Speed Dialing Name ¹	Telephone No. ²	CLI Destination ³
000	ABC Company	912125551234	200
001	XYZ Company	913135551234	300

¹ → 14.1 PBX Configuration—[6-1] Feature—System Speed Dial—◆ CO Line Access Number + Telephone Number

² → 14.1 PBX Configuration—[6-1] Feature—System Speed Dial—◆ Name

³ → 14.1 PBX Configuration—[6-1] Feature—System Speed Dial—◆ CLI Destination

5. Displaying the Caller's Name

In addition to the System Speed Dialing Table, each extension can store names and numbers in Personal Speed Dialing. Therefore, it is entirely possible for the same telephone number to be stored under a different name in different locations within the PBX.

When a call containing Caller ID information is received, the PBX will search for the caller's name in the following order, then show that name on the display and log it via SMDR.

1. Personal Speed Dialing data of the extension which received the call
2. System Speed Dialing Table
3. The Caller ID information received from the telephone company

If a caller's name is not stored in the PBX or sent from the telephone company, it will not be displayed or logged.

Conditions**[General]**

- Caller ID signaling type can be selected through system programming.

[Caller ID to SLT Port]**• Hardware Requirement:**

An LCOT2+SLC2 or PRI23+SLC2 card

For details about the hardware requirements for a legacy gateway (→ 18.1.9 Stacking Connection), refer to the documentation of the legacy gateway.

- When the caller's number is sent to an SLT, a CO Line Access number can be automatically added to the telephone number through system programming for calling back.
- When the caller's number exceeds 16 digits, the SLT receives only the first 16 digits, not counting the preceding CO Line Access number (if it is programmed to be added).
- If a call is transferred to an SLT, the transferring extension's information will be shown on the SLT. If the transferring extension goes on-hook before the call is answered, the original caller's information will be shown.
- When Caller ID information such as "Private", "Out of Area", or "Long Distance" is received, this information will be shown instead of the caller's number and name.
- Even if the caller's name is sent, the name may not be shown depending on the type of SLT.
- Incoming Call Log information is not shown on the SLT.
- Caller ID shows whether the call is an intercom or CO line call by default. This setting can be disabled through system programming.
- A caller ID name received from the network via a PRI23 card will not be displayed on an SLT. However, if the received caller ID matches a System Speed Dialing entry, and a name is registered for that entry, it will be displayed.

PC Programming Manual References

- 10.3 PBX Configuration—[2-3] System—Timers & Counters—Miscellaneous
 - ◆ Caller ID—Waiting to receive
 - ◆ Caller ID—Visual Caller ID Display
- 10.9 PBX Configuration—[2-9] System—System Options—Option 4—◆ Private Network—Public Call through Private Network—Minimum Public Caller ID Digits
- 10.10 PBX Configuration—[2-10] System—Extension CID Settings
- 11.1.1 PBX Configuration—[3-1-1] Group—Trunk Group—TRG Settings—Main—◆ Caller ID Modification Table
- 11.1.3 PBX Configuration—[3-1-3] Group—Trunk Group—Caller ID Modification
- 12.1.1 PBX Configuration—[4-1-1] Extension—Wired Extension—Extension Settings—Option 8
 - ◆ Extension Caller ID Sending
 - ◆ Incoming Call Wait Timer for Extension Caller ID
- 14.1 PBX Configuration—[6-1] Feature—System Speed Dial

Feature Manual References

- 18.1.4 SMDR (Station Message Detail Recording)
- 18.1.7 Speed Dialing, Personal
- 18.1.8 Speed Dialing, System

4.1.4 Call Hold

Description

An extension user can put a call on hold. The following Hold features are available:

Feature	Description
Regular Hold	Any extension can retrieve a held call.
Exclusive Call Hold	Only the extension user who held the call can retrieve it.

The result of the holding operation can be determined through system programming. Pressing the HOLD button again just after the first time alternates the mode between Regular and Exclusive Call Hold.

Conditions

- **Call Hold Limitation**
A proprietary telephone (PT) user can hold one intercom call and/or multiple CO line calls at a time. A single line telephone (SLT) user can hold either one intercom call or one CO line call at a time. By using the Call Park feature, PT and SLT users can hold multiple CO line calls and intercom calls simultaneously. (→ 4.1.7 Call Park)
- **Music on Hold**
Music, if available, is sent to the held party. (→ 13.1.4 Music on Hold)
- **Hold Recall**
If a call on hold is not retrieved within a preprogrammed time period, the Hold Recall tone is heard at the extension which put the call on hold. If the extension is engaged in a call, the Hold Alarm will be heard.
- If an outside party is placed on hold and the call is not retrieved within a preprogrammed time period after the Hold Recall time expires, the call is automatically disconnected.
- **Automatic Call Hold**

4.1.4 Call Hold

A PT can be configured through system programming to place the current call on hold when the PT user presses a CO, ICD Group, INTERCOM or PDN button to make or answer another call. If this feature is not enabled, the current call will be disconnected.

[Example of Automatic Call Hold]

It is possible to receive an incoming CO line call by pressing the flashing ICD Group button. The current intercom call (on the INTERCOM button) is placed on hold. To return to the held call, press the INTERCOM button.

- **Call Hold Retrieve Deny**

Internal Call Block (→ 10.1.14 Internal Call Block) also determines which extensions' calls an extension user can retrieve, i.e., if extension 101 cannot call extension 201, then it cannot retrieve extension 201's held calls either.

- **SLT Hold Mode**

It is possible to choose how to hold and transfer a call with an SLT through system programming. The following methods are available:

	Hold	Hold (to be Retrieved from Another Extension)^{*1}	Transfer to CO Line	Transfer to Extension
Mode 1	Flashing the hookswitch + Going on-hook	Flashing the hookswitch + Hold Feature No. + Going on-hook	Flashing the hookswitch + CO Line Access No.	Flashing the hookswitch + Extension No.
Mode 2 (Default)	Flashing the hookswitch + Hold Feature No. + Going on-hook	Flashing the hookswitch + Hold Feature No. + Going on-hook	Flashing the hookswitch + CO Line Access No.	Flashing the hookswitch + Extension No.
Mode 3	Flashing the hookswitch + Hold Feature No. + Going on-hook	Flashing the hookswitch + Hold Feature No. + Hold Feature No. + Going on-hook	Flashing the hookswitch + Hold Feature No. + CO Line Access No.	Flashing the hookswitch + Extension No.
Mode 4	Flashing the hookswitch + Hold Feature No. + Going on-hook	Flashing the hookswitch + Hold Feature No. + Hold Feature No. + Going on-hook	Flashing the hookswitch + Hold Feature No. + CO Line Access No.	Flashing the hookswitch + Hold Feature No. + Extension No.

*1 These operations must be performed when the held call is intended to be retrieved from another extension using the holding extension number.

If one of the following occurs frequently with an SLT, choose "Mode 2", "Mode 3", or "Mode 4":

- When an SLT user answers a call, a reorder tone is heard or no one is heard on the other end.
- When an SLT user goes off-hook, a reorder tone is heard instead of a dial tone.

If a call is not terminated after going on-hook, the above cases occur. To avoid these problems, choose "Mode 2", "Mode 3", or "Mode 4". Every call will be terminated unless the Hold feature number is entered after flashing the hookswitch in Mode 2, Mode 3, and Mode 4.

- Hold Alarm tone pattern has a default. (→ 23.2 Tones/Ring Tones)

PC Programming Manual References

- 10.3 PBX Configuration—[2-3] System—Timers & Counters—Dial / IRNA / Recall / Tone
 - ◆ Recall—Hold Recall
 - ◆ Recall—Disconnect after Recall
- 10.6.1 PBX Configuration—[2-6-1] System—Numbering Plan—Main—Features
 - ◆ Call Hold / Call Hold Retrieve
 - ◆ Call Hold Retrieve : Specified with a Holding Extension Number
 - ◆ Hold Retrieve : Specified with a Held CO Line Number
- 10.9 PBX Configuration—[2-9] System—System Options
 - Option 1—◆ PT Operation—Automatic Hold by ICM / CO / ICD Group Key
 - Option 1—◆ PT Operation—Hold key mode
 - Option 5—◆ SLT—SLT Hold Mode

Operating Manual References

- 1.3.6 Call Hold

4.1.5 Call Log, Incoming

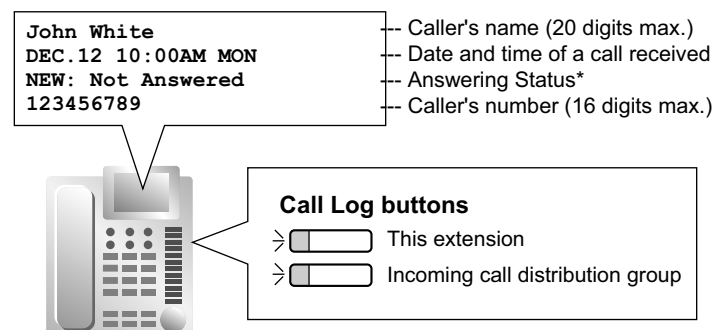
Description

When a call containing Caller ID information is received by an extension, the information is shown on the telephone display, notifying the extension user of the caller's identity. This information is also automatically logged in the Incoming Call Log of the extension, and can be viewed later or used to call that caller back. Each extension and incoming call distribution (ICD) group has its own Incoming Call Log.

Call Log Button

The Call Log button will alert an extension user to any missed (unanswered) calls. A flexible button can be customized as the Call Log button, and will indicate the status of the Incoming Call Log for the extension or corresponding ICD group, as shown below.

Light pattern	Status of the corresponding call log
Red on	There are call records in the log which have not been viewed.
Off	There are no new call records in the log.



*: "NEW" is displayed for call records which have not previously been viewed;
 "OLD" is displayed for call records which have previously been viewed.

Conditions

- The following information is logged.

Telephone Information	KX-T7636/KX-T7633/ KX-T7630/KX-T7433	3-line display PT except KX-T7633/KX-T7630/ KX-T7433	1-line or 2-line display PT
	KX-NT 500 series/ KX-NT300 series (except KX-NT321)/ KX-DT300 series (except KX-DT321)/ KX-NT136		KX-NT321/KX-NT265/ KX-DT321
	KX-TD7695/KX-TD7685/ KX-TD7694/KX-TD7684/ KX-TD7690/KX-TD7680/ KX-TD7696/ KX-WT125/KX-WT126/		Wireless phone (KX-TD7895/KX-T7885)
	6-line display PT		
	KX-UT series SIP phones		
	Caller's Name		✓
Date/Time call received	✓	✓	—
Answered or Not Answered Confirmed or Not Confirmed	✓	✓	—
Caller's Phone Number	✓	—*1	—*1

*1 If the caller's name is not logged, the caller's phone number is displayed.
If the caller's name is logged, the caller's phone number is not displayed.

- If the answering destination is not the original extension (e.g., Call Pickup or FWD—No Answer), the call is logged in the Incoming Call Logs of both the original and the answering destination. If a call is forwarded to multiple extensions before being answered, the call is logged in the call logs of all the extensions it was forwarded to. If a call is forwarded to an ICD group and is not answered, the call is not logged in the call log for the ICD group.
- Incoming Call Log for Calls to a PS**
Each portable station (PS) also has an Incoming Call Log. When a call is directed to a PS, the call will be logged in the call log of the PS even when:
 - The PS is out of range.
 - The PS is turned off.
 - The Cell Station (CS) is busy.
- Display Lock**
The Incoming Call Log of an extension can be locked through personal programming (Directory and Call Log Lock) to prevent other users from viewing its contents. In this case, the Outgoing Call Log display, the Personal Speed Dialing number display are also locked.
An extension personal identification number (PIN) is required to use this feature. (→ 6.1.8 Extension PIN (Personal Identification Number))
- Incoming Call Log Memory**
The total number of incoming calls that can be logged by the PBX is limited. The maximum number of calls that can be logged in the Incoming Call Log of each extension and ICD group can be specified through system programming. When a call log is full, the oldest call will be replaced each time a call is received.
- Automatic Caller ID Number Modification**
If the PBX is programmed to automatically modify incoming telephone numbers, the modified numbers will be logged in the Incoming Call Log.

- **Incoming Call Log for Calls to an ICD Group**
If a call directed to an ICD group is not answered, the call is logged in the Incoming Call Log of the ICD group. If the call is answered, it is logged in the call log of the answering extension only. Through system programming, it is possible to select which Incoming Call Logs record call information when a member of an ICD group answers a call to the group:
 - Only the Incoming Call Log of the extension that answered the call.
 - Both the Incoming Call Log of the extension that answered the call and that of the ICD group.
- **E-mail Notification of Missed Calls**
Extension users can receive an e-mail notification when they have a missed CO line call (→ 6.1.2 E-mail Notification for Extension Users).

PC Programming Manual References

- 11.5.1 PBX Configuration—[3-5-1] Group—Incoming Call Distribution Group—Group Settings—Miscellaneous—◆ Supervisor Extension Number
- 11.5.3 PBX Configuration—[3-5-3] Group—Incoming Call Distribution Group—Miscellaneous—◆ Options—Call Log to ICD Group for Answered Call
- 12.1.1 PBX Configuration—[4-1-1] Extension—Wired Extension—Extension Settings
 - Option 5—◆ Incoming Call Display
 - Option 6—◆ Display Lock
 - Option 7—◆ Incoming Call Log Memory
- 12.1.4 PBX Configuration—[4-1-4] Extension—Wired Extension—Flexible Button
 - ◆ Type
- 12.2.1 PBX Configuration—[4-2-1] Extension—Portable Station—Extension Settings
 - Option 5—◆ Incoming Call Display
 - Option 7—◆ Incoming Call Log Memory

Feature Manual References

- 4.1.3 Caller ID
- 6.1.2 E-mail Notification for Extension Users
- 7.1.3 Flexible Buttons
- 18.1.7 Speed Dialing, Personal
- 23.1 Capacity of System Resources

Operating Manual References

- 1.4.1 Call Log, Incoming
- 3.1.2 Personal Programming

4.1.6 Call Monitor

Description

Allows an extension user to listen to a busy extension user's existing conversation. The user can hear the conversation but will not be heard. If desired, the monitoring user can interrupt the call to establish a three-party conference call.

Conditions

- Class of Service (COS) programming determines extension users who can use this feature.

- This feature is available only when the busy extension is in a conversation with another extension or outside party.
- This feature will not function when the busy extension:
 - a. Has set Executive Busy Override Deny (→ 6.1.5 Executive Busy Override) or Data Line Security (→ 5.1.1 Data Line Security).
 - b. Is receiving OHCA (→ 14.1.3 OHCA (Off-hook Call Announcement), → 22.1.4 Whisper OHCA).
 - c. Is on a conference call (→ 4.1.18 Conference, → 6.1.5 Executive Busy Override, → 15.1.11 Privacy Release).
 - d. Is on a doorphone call (→ 5.1.13 Doorphone Call).
 - e. Is using Live Call Screening (LCS) or Two-way Record (→ 20.1.51 Unified Messaging—Live Call Screening (LCS), → 20.1.90 Unified Messaging—Two-way Record/Two-way Transfer).
 - f. Has a call on Consultation Hold (→ 4.1.21 Consultation Hold).
- This feature stops when the busy extension user presses the following buttons during a conversation (→ 7.1.1 Fixed Buttons, → 7.1.3 Flexible Buttons):
 - FLASH/RECALL button
 - HOLD button
 - TRANSFER button
 - CONF (Conference) button
 - DSS button
 - EFA button
 - Two-way Record button
 - Two-way Transfer button
 - One-touch Two-way Transfer button
 - Voice Mail (VM) Transfer button

PC Programming Manual References

- 10.6.3 PBX Configuration—[2-6-3] System—Numbering Plan—B/NA DND Call Feature—◆ Call Monitor
- 10.7.1 PBX Configuration—[2-7-1] System—Class of Service—COS Settings—Executive—◆ Call Monitor
- 12.1.1 PBX Configuration—[4-1-1] Extension—Wired Extension—Extension Settings
 - Option 2—◆ Data Mode
 - Option 3—◆ Executive Override Deny
- 12.2.1 PBX Configuration—[4-2-1] Extension—Portable Station—Extension Settings—Option 3—◆ Executive Override Deny

Feature Manual References

- 4.1.22 COS (Class of Service)

Operating Manual References

- 1.3.7 Call Monitor

4.1.7 Call Park

Description

An extension user can place a call into a common parking zone of the PBX. The Call Park feature can be used as a transferring feature; this releases the user from the parked call to perform other operations. A parked call can be retrieved by any extension user.

Conditions

- **Automatic Call Park**
It is possible to select an idle parking zone automatically.
- **Retry**
If the specified parking zone is occupied or there is no vacant zone for Automatic Call Park, the originator will hear a busy tone. Retrying is possible while hearing a busy tone by selecting another parking zone or a vacant zone.
- **Call Park Recall**
If a parked call is not retrieved within a preprogrammed time period, the Call Park Recall tone will be heard at the Transfer Recall destination assigned to the extension which parked the call. If the destination is engaged in a call, the Hold Alarm will be heard.
- If a parked CO line call is not retrieved within a preprogrammed time period (Default: 30 minutes), it is automatically disconnected.
- **Call Park Button**
Pressing the Call Park button parks or retrieves a call in a preset parking zone.
Any flexible button can be customized as the Call Park button. It shows the current status of the preset parking zone as follows:

Light pattern	Status
Slow red flashing	A call is parked in the preset parking zone
Off	There are no parked calls

- **Call Park (Automatic Park Zone) Button**
Pressing the Call Park (Automatic Park Zone) button parks a call in an idle parking zone automatically. Any flexible button can be customized as the Call Park (Automatic Park Zone) button.
On a KX-UT series SIP phone, pressing a Call Park (Automatic Park Zone) button selects an idle parking zone from among the Call Park (preset parking zone) buttons configured on the phone.
- **Call Park Retrieve Deny**
Internal Call Block (→ 10.1.14 Internal Call Block) also determines which extensions' calls an extension user can retrieve from a parking zone, i.e., if extension 101 cannot call extension 201, then it cannot retrieve extension 201's parked calls either.

PC Programming Manual References

- 10.3 PBX Configuration—[2-3] System—Timers & Counters
 - ◆ Recall—Call Park Recall
 - ◆ Recall—Disconnect after Recall
- 10.6.1 PBX Configuration—[2-6-1] System—Numbering Plan—Main—Features—◆ Call Park / Call Park Retrieve
- 12.1.4 PBX Configuration—[4-1-4] Extension—Wired Extension—Flexible Button
 - ◆ Type
 - ◆ Parameter Selection (for Call Park)
 - ◆ Optional Parameter (Ringing Tone Type Number) (for Call Park)
- 12.2.3 PBX Configuration—[4-2-3] Extension—Portable Station—Flexible Button
 - ◆ Type
 - ◆ Parameter Selection (for Call Park)
 - ◆ Optional Parameter (or Ringing Tone Type Number) (for Call Park)

Feature Manual References

- 7.1.3 Flexible Buttons

23.1 Capacity of System Resources

Operating Manual References

1.3.6 Call Hold

4.1.8 Call Pickup

Description

An extension user can answer a call ringing at any other extension. The following types of Call Pickup are available:

Type	Description
Directed	A specified extension's call is answered.
Group	A call within a specified call pickup group is answered.

Call Pickup Deny

An extension user can prevent other extensions from picking up calls ringing at his or her own extension.

Conditions

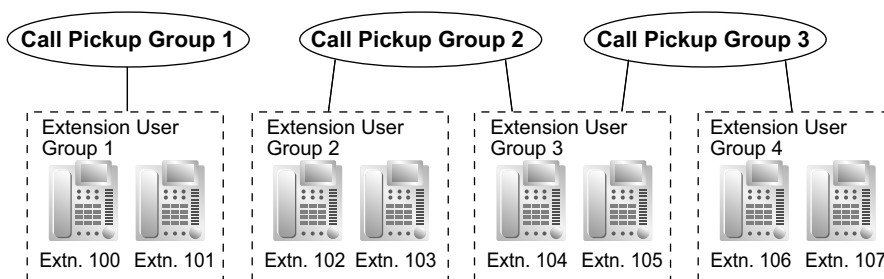
- **Call Pickup applies to:**
Intercom, CO line, and doorphone calls
- **Internal Call Block**
An extension which cannot call certain extensions based on Class of Service (COS) programming (→ 10.1.14 Internal Call Block) also cannot pick up calls ringing at those extensions.

[Directed Call Pickup]

- A user can also pick up a call to a specified extension by pressing the corresponding DSS button. This feature is only available when (1) the user's extension is allowed to use this feature through COS programming, (2) DSS buttons for extensions or incoming call distribution (ICD) groups have this feature enabled through system programming, and (3) the light pattern of DSS buttons for incoming calls to extensions or ICD groups is set to "On or Flash" through system programming.
The light pattern of a DSS button for an incoming call to an extension or Incoming Call Distribution (ICD) group can be programmed through system programming. Call Pickup is available only when the DSS button is red flashing.

[Group Call Pickup]

- A specified number of call pickup groups can be created, each of which consists of extension user groups. One extension user group can belong to several call pickup groups. (→ 8.1.1 GROUP FEATURES)

[Example]**PC Programming Manual References**

10.6.1 PBX Configuration—[2-6-1] System—Numbering Plan—Main—Features

- ◆ Group Call Pickup
- ◆ Directed Call Pickup
- ◆ Call Pickup Deny Set / Cancel

10.7.1 PBX Configuration—[2-7-1] System—Class of Service—COS Settings—Assistant—◆ Call Pickup by DSS

10.9 PBX Configuration—[2-9] System—System Options—Option 4

- ◆ DSS Key—DSS key mode for Incoming Call
- ◆ DSS Key—Call Pick-up by DSS key for Direct Incoming Call
- ◆ DSS Key—Call Pick-up by DSS key for ICD Group Call

11.3 PBX Configuration—[3-3] Group—Call Pickup Group

12.1.1 PBX Configuration—[4-1-1] Extension—Wired Extension—Extension Settings—Option 3—◆ Call Pickup Deny

12.2.1 PBX Configuration—[4-2-1] Extension—Portable Station—Extension Settings—Option 3—◆ Call Pickup Deny

Feature Manual References

4.1.22 COS (Class of Service)

23.1 Capacity of System Resources

Operating Manual References

1.3.9 Call Pickup

4.1.9 Call Splitting**Description**

During a conversation, an extension user can call another extension while putting the original party on Consultation Hold. The extension user can then alternate between the two parties and/or connect the original party with the third party.

Conditions

- When the extension user is having a conversation with one party, the other party is in consultation hold. (→ 4.1.21 Consultation Hold)

Operating Manual References

1.3.10 Call Splitting

4.1.10 Call Transfer

Description

An extension user can transfer a call to another extension or an outside party. The following features are available:

Feature	Transferring method
With Announcement	Transfer is completed after announcing the transfer to the destination party.
Without Announcement	Transfer is completed without an announcement. After dialing the transfer destination, the originator can replace the handset once a ringback tone is heard.

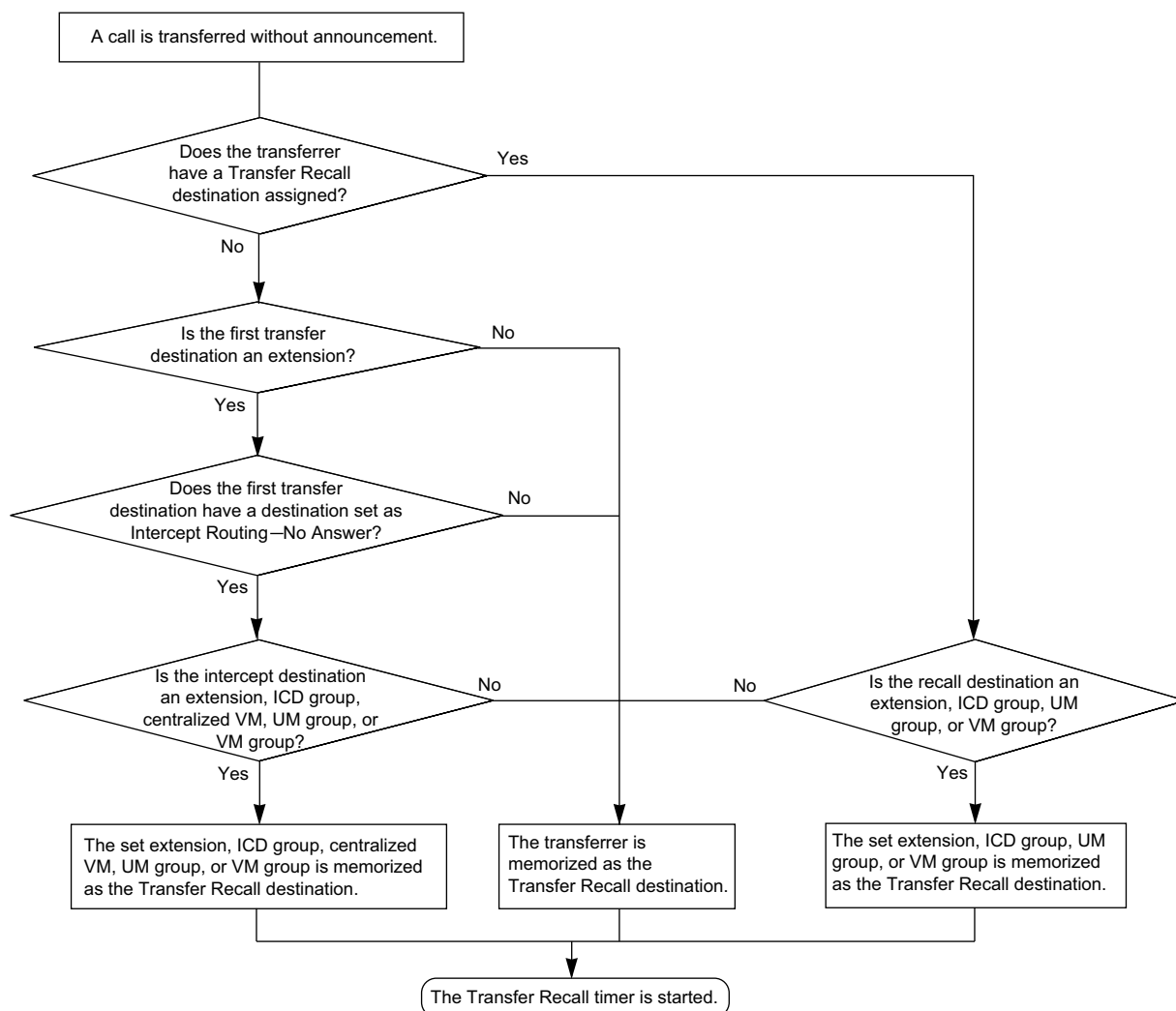
Call Transfer with Announcement is also known as Call Transfer—Screened.

Call Transfer without Announcement is also known as Call Transfer—Unscreened.

Transfer Recall for Call Transfer without Announcement

If the transfer destination does not answer within the preprogrammed Transfer Recall time, the call will be redirected to the Transfer Recall destination assigned to the extension which transferred the call.

If the transfer destination has a destination set as Intercept Routing—No Answer, the call will be routed to that destination.



[Available destination]

Destination	Availability
Wired Extension (PT/SLT/SIP Extension/T1-OPX)	✓
PS	✓
ICD Group	✓
PS Ring Group	
UM Group	✓ ¹
VM Group (DTMF/DPT)	✓ (DPT only) ¹
Fax Unit	
External Pager (TAFAS)	
DISA	

Destination	Availability
Idle Line Access no. + Phone no.	
Trunk Group Access no. + Trunk Group no. + Phone no.	
Extension of Another PBX (via TIE Line, Access with PBX Code)	
Extension of Another PBX (via TIE Line, Access without PBX Code)	

*1 If the transfer destination does not answer, the call is sent to Voice Mail and a message can be recorded in the mailbox of the transfer destination.

Conditions

- When an extension is transferring a party to another destination, the party will be in consultation hold until they reach the transfer destination. (→ 4.1.21 Consultation Hold)
- If Music on Hold is enabled, music can be sent to the held party while the call is being transferred (→ 13.1.4 Music on Hold). It is programmable whether a ringback tone or music is sent to the caller.
- If the transfer destination extension has set FWD to an outside party, the call will be transferred to the outside party. (→ 7.1.6 FWD (Call Forwarding))
- Class of Service (COS) programming determines the extensions that are able to transfer a call to an outside party. COS can also prohibit transferring to an extension of another PBX via the TIE line service using the PBX code method (Access with PBX Code). (→ 15.1.12 PRIVATE NETWORK FEATURES)
- **One-touch Transfer**
One-touch Transfer can be performed by pressing a One-touch Dialing button that has been assigned the TRANSFER command and the telephone number of the transfer destination. This is useful for transferring calls to an outside destination. (→ 13.1.2 MEMORY DIALING FEATURES)
- **Automatic Transfer by SDN Button or DSS Button**
Pressing an SDN button or DSS button during a conversation with an extension or outside party can automatically transfer the call to the specified destination (→ 15.1.4 PDN (Primary Directory Number)/ SDN (Secondary Directory Number) Extension). It is possible through system programming to prevent this feature from operating for extension to extension calls.
- **Transfer to Busy Extension using Queuing (Camp-on Transfer)**
Through system programming, it is possible to enable the transferring of a call to a busy extension without needing to send a call waiting notification, based on the transferring party's COS setting. The transferred call will be placed in a queue.
This feature is not available for SIP extensions.
- When transferring a call from an analog CO line, users are strongly recommended to perform a screened transfer, so that the outside caller is not automatically connected to an extension using Hands-free Answerback when the extension user is absent.
- If a KX-UT series SIP phone user disconnects a call while the party to be transferred is still on consultation hold (i.e., has not been transferred), Hold Recall is heard at the extension immediately (→ 4.1.4 Call Hold). On other types of extensions, Hold Recall is heard after the Hold Recall timer expires.
- This PBX supports the Blind transfer feature found on some SIP phones. For details, refer to the phone's documentation.

PC Programming Manual References

- 10.2 PBX Configuration—[2-2] System—Operator & BGM—◆ BGM and Music on Hold—Sound on Transfer
- 10.3 PBX Configuration—[2-3] System—Timers & Counters—Dial / IRNA / Recall / Tone—◆ Recall—Transfer Recall
- 10.7.1 PBX Configuration—[2-7-1] System—Class of Service—COS Settings—CO & SMDR—◆ Transfer to CO

- 10.7.1 PBX Configuration—[2-7-1] System—Class of Service—COS Settings—Assistant—◆ Transfer to busy Extension w/o BSS Operation
- 10.9 PBX Configuration—[2-9] System—System Options—Option 4—◆ DSS Key—Automatic Transfer for Extension Call
- 12.1.1 PBX Configuration—[4-1-1] Extension—Wired Extension—Extension Settings—Option 1—◆ Transfer Recall Destination
- 12.2.1 PBX Configuration—[4-2-1] Extension—Portable Station—Extension Settings—Option 1—◆ Transfer Recall Destination

Feature Manual References

- 4.1.22 COS (Class of Service)

Operating Manual References

- 1.3.11 Call Transfer
- 1.3.50 PDN (Primary Directory Number)/SDN (Secondary Directory Number) Extension

4.1.11 CALL WAITING FEATURES

Description

Used to inform a busy extension that another incoming call is waiting. The busy extension user can answer the second call by disconnecting the current call or placing it on hold.

The following notification method can be assigned for each extension depending on the call waiting and the telephone type:

- a. Call Waiting Tone:** Tone from the handset or built-in speaker
- b. OHCA:** Voice from the built-in speaker
- c. Whisper OHCA:** Voice from the handset
- d. Off:** No notification.

Call Type	Notification Method		
	DPT	IP-PT	Other Telephone
Intercom Call	Call Waiting tone/OHCA/ Whisper OHCA/Off	Call Waiting tone/ Whisper OHCA/Off	Call Waiting tone/Off
CO Line Call ^{*1}	Call Waiting tone/Off		

^{*1} Including a doorphone call, call via an incoming call distribution group, and a CO line call transferred from another extension.

Call Waiting is also known as Busy Station Signaling (BSS).

Conditions

- **Automatic Call Waiting**
Through system programming, it is possible to select whether a call waiting tone is automatically sent to the extension when receiving CO line calls, doorphone calls, external sensor calls and hold-recall calls. Through system programming, it is also possible to select whether extensions will receive Automatic Call Waiting from intercom calls.
- Call Waiting call for an extension in a UM group or in a VM group (DTMF/DPT) is not available.
- **Data Line Security**

Setting Data Line Security cancels the Call Waiting setting. (→ 5.1.1 Data Line Security)

- **Caller Information**
With the Call Waiting tone, the caller's information flashes on the display for five seconds, followed by a 10-second pause, then flashes again for five seconds.
- **Call Waiting from the Telephone Company**
Besides the Call Waiting service within the PBX, the Call Waiting tone offered by an analog line from the telephone company informs the extension user of another incoming CO line call that is waiting. He can answer the second call by disconnecting the current call or placing it on hold using EFA. For details, consult your telephone company.
Call Waiting Caller ID (Visual Caller ID):
When using the call waiting tone supplied by the telephone company over analog lines, the caller's telephone number and name can be received. Either the name or the number will flash on the display for five seconds, followed by a 10-second pause, then flash again for five seconds.
Note that the received caller information will not be displayed on telephones or wireless phones connected to SLT ports.
- OHCA and Whisper OHCA are enabled or disabled by the Class of Service (COS) of the calling extension.
- OHCA and Whisper OHCA do not compatible with some telephone types. In such cases, a Call Waiting tone will be sent to the called extension.

OHCA Mode of Calling Extension's COS	Called Extension's Call Waiting Mode			
	OFF	ON		
		Call Waiting Tone	OHCA	Whisper OHCA
Disable	Call Waiting disabled	Call Waiting tone	Call Waiting tone	Call Waiting tone
Enable	Call Waiting disabled	Call Waiting tone	OHCA (or Call Waiting tone)	Whisper OHCA (or Call Waiting tone)

- The notification receiving methods (call waiting tone, OHCA, and Whisper OHCA) are available when the called extension is having a conversation with another party. If the extension is not having a conversation but is unavailable to receive the notification (dialing a number, for example), the calling extension will be kept waiting until the called extension becomes available. Even while waiting, the calling extension will hear a ringback tone.
- If none of these methods of receiving notification (call waiting tone, OHCA, or Whisper OHCA) are set at the called party, the caller will hear a reorder tone after trying to send a call waiting notification.

PC Programming Manual References

- 9.24 PBX Configuration—[1-1] Configuration—Slot—Card Property - LCO type—◆ Caller ID—Caller ID Signalling
- 10.6.1 PBX Configuration—[2-6-1] System—Numbering Plan—Main—Features
 - ◆ Call Waiting Mode: Call from Extension
 - ◆ Call Waiting Mode: Call from CO
- 10.6.3 PBX Configuration—[2-6-3] System—Numbering Plan—B/NA DND Call Feature
 - ◆ BSS / OHCA / Whisper OHCA / DND Override
 - ◆ BSS / OHCA / Whisper OHCA / DND Override-2
- 10.9 PBX Configuration—[2-9] System—System Options—Option 5—◆ Call Waiting—Automatic Call Waiting for Extension Call
- 12.1.1 PBX Configuration—[4-1-1] Extension—Wired Extension—Extension Settings
 - Option 2—◆ Manual C. Waiting for Extension Call
 - Option 2—◆ Automatic C. Waiting
 - Option 4—◆ Call Waiting Tone Type

- 12.2.1 PBX Configuration—[4-2-1] Extension—Portable Station—Extension Settings
 - Option 2—◆ Manual C. Waiting for Extension Call
 - Option 2—◆ Automatic C. Waiting
 - Option 4—◆ Call Waiting Tone Type

Feature Manual References

- 4.1.5 Call Log, Incoming
- 4.1.12 Call Waiting Tone
- 18.1.4 SMDR (Station Message Detail Recording)
- 22.1.4 Whisper OHCA

Operating Manual References

- 1.3.12 CALL WAITING FEATURES
- 1.3.13 Call Waiting Tone
- 3.1.2 Personal Programming

4.1.12 Call Waiting Tone

Description

When an extension user attempts to call a busy extension (i.e., an extension that is ringing or having a conversation), a call waiting tone can be sent to the called extension to indicate another call is waiting.

Conditions

- This feature functions only if the called extension has activated call waiting. If it is activated, the calling extension will hear a ringback tone.
- One of two call waiting tones can be selected (Tone 1 or Tone 2) through personal programming (Call Waiting Tone Type Selection).
- A PT user can hear different Call Waiting tones for CO line calls and intercom calls if "Tone 2" has been selected through personal programming (Call Waiting Tone Type Selection). If "Tone 1" has been selected, the same Call Waiting tone will be heard for both CO line calls and intercom calls. All Call Waiting tone patterns have a default (→ 23.2 Tones/Ring Tones).

PC Programming Manual References

- 10.3 PBX Configuration—[2-3] System—Timers & Counters—Miscellaneous—◆ Caller ID—Visual Caller ID Display
- 10.6.3 PBX Configuration—[2-6-3] System—Numbering Plan—B/NA DND Call Feature
 - ◆ BSS / OHCA / Whisper OHCA / DND Override
 - ◆ BSS / OHCA / Whisper OHCA / DND Override-2
- 12.1.1 PBX Configuration—[4-1-1] Extension—Wired Extension—Extension Settings
 - Option 2—◆ Manual C. Waiting for Extension Call
 - Option 2—◆ Automatic C. Waiting
 - Option 4—◆ Call Waiting Tone Type
- 12.2.1 PBX Configuration—[4-2-1] Extension—Portable Station—Extension Settings
 - Option 2—◆ Manual C. Waiting for Extension Call
 - Option 2—◆ Automatic C. Waiting
 - Option 4—◆ Call Waiting Tone Type

Operating Manual References

- 1.3.13 Call Waiting Tone
- 3.1.2 Personal Programming

4.1.13 CELLULAR PHONE FEATURES

Description

This PBX provides features to support the use of cellular phones and other outside destinations with the PBX. Calls can be forwarded from virtual PSs to outside destinations such as cellular phones, and then answered as if the user was at an extension within the PBX.

The following features can be used with cellular phones and other outside extensions:

Feature	Description & Reference
Outside Destinations in Incoming Call Distribution Group	Up to 4 cellular phones can be assigned as members of an Incoming Call Distribution (ICD) Group, and receive calls to the group. → 10.1.4 ICD Group Features—Outside Destinations
Cellular Phone XDP Parallel Mode	A PT user can set up to 4 cellular phones to ring in parallel for incoming calls. → 10.1.4 ICD Group Features—Outside Destinations
Parallel Ringing When Forwarding to CO Line	When an unanswered call is forwarded to an outside line, such as a cellular phone, the forwarding extension's phone will continue ringing until the forwarded call is answered at either phone. → 7.1.6 FWD (Call Forwarding)
DISA Automatic Walking COS	Registered cellular phones are automatically recognized as PBX extensions when calling through DISA. → 5.1.9 DISA (Direct Inward System Access)
DISA Call Transfer From Outside Destination	A cellular phone user who answers a CO line call forwarded from the PBX using DISA can transfer that call to an extension within the PBX. It is also possible to establish a Conference call, perform Call Splitting, and page with a call on hold to transfer the call. → 5.1.9 DISA (Direct Inward System Access)

Conditions

- KX-NSE101, KX-NSE105, KX-NSE110, or KX-NSE120 (Activation Key for Mobile Extension) is required to use these features. One activation key is required for each extension that will use these features. Also, the **Mobile Extension** setting for each extension must be set to **Enable**.

PC Programming Manual References

- 12.1.1 PBX Configuration—[4-1-1] Extension—Wired Extension—Extension Settings—Option 9—◆ Mobile Extension

12.2.1 PBX Configuration—[4-2-1] Extension—Portable Station—Extension Settings—Option 9—◆ Mobile Extension

Feature Manual References

21.1.2 Virtual PS

4.1.14 CLI (Calling Line Identification) Distribution

Description

Directs an incoming CO line call to a specific destination when the caller's telephone number matches a number in the System Speed Dialing Table. Each telephone number in this table can be assigned its own Calling Line Identification (CLI) destination.

CLI distribution allows you to direct calls from specific people to specific destinations, and has many applications. For example, you can program the PBX to automatically connect calls from priority clients to their sales representatives, or automatically connect mobile phone calls from an executive to his or her assistant. In order for CLI distribution to function, the PBX must receive Caller ID information from the telephone company. CLI distribution works in conjunction with both Direct In Line (DIL) and Direct Inward Dialing (DID) distribution; it can be enabled or disabled for each CO line (for DIL) and for each DID number, for each time mode. When a call has Caller ID information and CLI distribution is enabled for the current time mode, CLI distribution will direct the call to its destination, ignoring preprogrammed DIL or DID destinations.

[Programming Example: System Speed Dialing Table]

Location (System Speed Dialing No.)	System Speed Dialing Name ¹	Telephone No. ²	CLI Destination ³
000	ABC Company	912125551234	200
001	XYZ Company	913135551234	300

¹ → 14.1 PBX Configuration—[6-1] Feature—System Speed Dial—◆ Name

² → 14.1 PBX Configuration—[6-1] Feature—System Speed Dial—◆ CO Line Access Number + Telephone Number

³ → 14.1 PBX Configuration—[6-1] Feature—System Speed Dial—◆ CLI Destination

In this example:

If the caller's telephone number is "1-212-555-1234":

1. The PBX looks for the number in the System Speed Dialing Table. (The CO Line Access number, "9", is disregarded.) The number is found in location 000.
2. If CLI distribution is enabled in the current time mode for the DID number or for the CO line carrying the call (for DIL distribution), the call is routed to its CLI destination, extension 200.

Conditions

- **If Automatic Caller ID Modification is used:**
Store the modified number in the System Speed Dialing Table.

PC Programming Manual References

14.1 PBX Configuration—[6-1] Feature—System Speed Dial
→◆ Name

4.1.15 CLIP (Calling Line Identification Presentation)

- ◆ CO Line Access Number + Telephone Number
- ◆ CLI Destination

18.2 PBX Configuration—[10-2] CO & Incoming Call—DIL Table & Port Settings—CLI for DIL—◆ CLI Ring for DIL—Day, Lunch, Break, Night

18.3 PBX Configuration—[10-3] CO & Incoming Call—DDI / DID Table—◆ CLI Ring for DDI/DID—Day, Lunch, Break, Night

Feature Manual References

- 4.1.3 Caller ID
- 5.1.7 DID (Direct Inward Dialing)
- 5.1.8 DIL (Direct In Line)
- 10.1.10 INCOMING CALL FEATURES
- 18.1.8 Speed Dialing, System

4.1.15 CLIP (Calling Line Identification Presentation)

Description

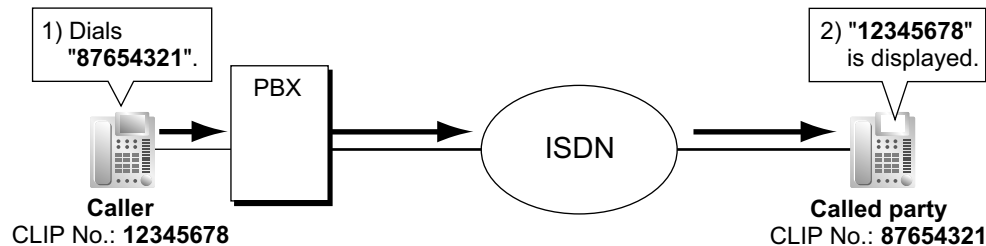
Calling Line Identification Presentation (CLIP):

The PBX can send a preprogrammed telephone number to the network when an extension user makes a call. The called party can see the number on his telephone display before answering the call.

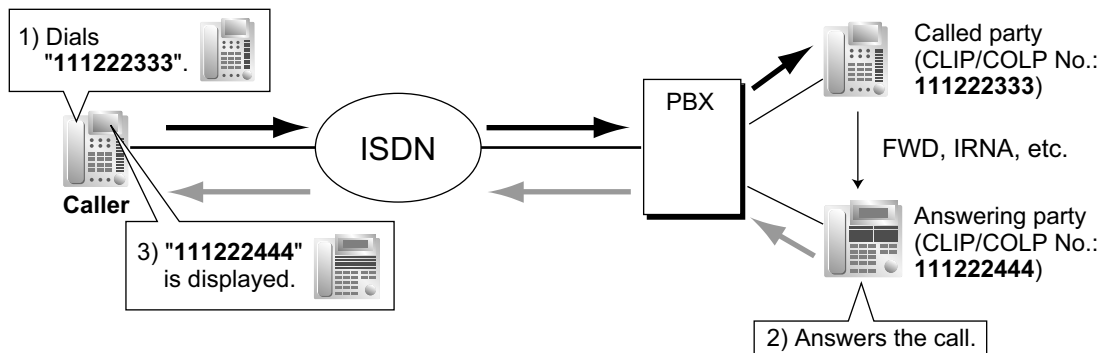
Connected Line Identification Presentation (COLP):

The PBX sends a preprogrammed telephone number to the network when the extension user answers an incoming call. The caller can see the number of the answering party on his telephone display when the call is answered.

[CLIP Example]



[COLP Example]



CLIP/COLP Number:

The telephone numbers sent to the network for CLIP/COLP can be assigned as follows:

- CLIP/COLP number for each ISDN port (subscriber's number).
- CLIP/COLP number for each extension.
- CLIP/COLP number for each incoming call distribution group.

Each extension can select either the CLIP/COLP number for the ISDN port or the extension to be used. The CLIP/COLP number for the ICD group is used when making a call by pressing the ICD Group button or receiving a call which arrives at the ICD Group button.

Calling Line Identification Restriction (CLIR) and Connected Line Identification Restriction (COLR)

It is possible for each extension to prevent the sending of its telephone number to the network by pressing the CLIR button, COLR button or entering the feature number.

Conditions

- The availability of this feature is dependent on the contract with the telephone company.
- The CLIP/COLP number for the connected ISDN port can be used for the ISDN terminal devices which cannot be assigned their own CLIP/COLP number, such as a doorphone.
- **COLP/CLIR/COLR Assignment for Each Port**
Each service can be enabled or disabled on each ISDN port of the PBX.
- **CLIR Button and COLR Button**
It is possible to switch between CLIP and CLIR by pressing the CLIR button, and COLP and COLR by pressing the COLR button. A flexible button can be customized as the CLIR or COLR button.
- The CLIP/COLP number must match the telephone number provided by the telephone company. Otherwise it will be ignored or replaced by another number.
- When using a private network, the extension number assigned for each extension through system programming is sent for CLIP/COLP. (→ 15.1.20 Private Network Features—QSIG—CLIP/COLP (Calling/Connected Line Identification Presentation) and CNIP/CONP (Calling/Connected Name Identification Presentation))
- When forwarding calls to a CO line, system programming selects whether the CLIP number of the calling party or of the forwarding extension is sent to the forward destination.

PC Programming Manual References

- 9.27 PBX Configuration—[1-1] Configuration—Slot—Port Property - PRI Port
 - CO Setting—◆ Subscriber Number
 - Supplementary Service—◆ COLP, CLIR, COLR, CNIP, CONP, CNIR, CONR, CF (Rerouting), CT, CCBS, E911
- 10.6.1 PBX Configuration—[2-6-1] System—Numbering Plan—Main—Features
 - ◆ COLR Set / Cancel
 - ◆ CLIR Set / Cancel
 - ◆ Switch CLIP of CO Line / Extension
- 10.9 PBX Configuration—[2-9] System—System Options—Option 4
 - ◆ Send CLIP of CO Caller—when call is transferred to CO (CLIP of Held Party)
 - ◆ Send CLIP of CO Caller—when call is forwarded to CO
- 11.5.1 PBX Configuration—[3-5-1] Group—Incoming Call Distribution Group—Group Settings—Main—◆ CLIP on ICD Group Button
- 12.1.1 PBX Configuration—[4-1-1] Extension—Wired Extension—Extension Settings
 - Main—◆ Extension Number
 - CLIP—◆ CLIP ID
 - CLIP—◆ CLIP on Extension/CO

- CLIP—◆ CLIR
- CLIP—◆ COLR
- 12.1.4 PBX Configuration—[4-1-4] Extension—Wired Extension—Flexible Button—◆ Type
- 12.2.1 PBX Configuration—[4-2-1] Extension—Portable Station—Extension Settings
 - CLIP—◆ CLIP ID
 - CLIP—◆ CLIP on Extension/CO
 - CLIP—◆ CLIR
 - CLIP—◆ COLR
- 12.2.3 PBX Configuration—[4-2-3] Extension—Portable Station—Flexible Button—◆ Type

Feature Manual References

7.1.3 Flexible Buttons

Operating Manual References

- 1.3.53 Private Network Features—CLIP (Calling Line Identification Presentation)
- 1.3.54 Private Network Features—CLIR (Calling Line Identification Restriction)
- 1.3.56 Private Network Features—COLR (Connected Line Identification Restriction)

4.1.16 CO Line Access

Description

There are three methods of accessing a CO line.

Method	Description	Operation
Idle Line Access (Local Access)	Selects an idle CO line automatically from the assigned trunk groups.	Dial the Idle Line Access number or press a L-CO button.
Trunk Group Access	Selects an idle CO line from the corresponding trunk group.	Dial the Trunk Group Access number and a trunk group number, or press a G-CO button.
S-CO Line Access	Selects the desired CO line directly.	Dial the S-CO Line Access number and the CO line number, or press the S-CO button.

Conditions

- Class of Service (COS) programming determines the trunk groups available for making calls.
- CO Line numbers can be referred on a CO line port basis.
- **Button Assignment**

A flexible button can be customized as a G-CO, L-CO, or S-CO button as follows:

Type	Assignable parameter
Loop-CO (L-CO)	Any trunk group that is made available for Idle Line Access through system programming is applied.
Group-CO (G-CO)	A trunk group is assigned.

Type	Assignable parameter
Single-CO (S-CO)	A specified CO line is assigned.

It is possible to assign:

- the same CO line to the S-CO button and to a G-CO button.
- the same trunk group to more than one G-CO button.
- more than one L-CO button.

Dialing the CO Line Access number selects a CO button according to the following priority: S-CO → G-CO → L-CO

- **Direct CO Line Access**

If an extension user is on-hook when pressing an idle CO button, the proprietary telephone (PT) automatically enables hands-free operation mode. The user can dial without lifting the handset or pressing the SP-PHONE button or MONITOR button.

- **Group Hunting Order for Idle Line Access**

An idle CO line is selected from the trunk groups assigned for Idle Line Access. If multiple trunk groups are available, the trunk group hunting sequence can be determined through system programming.

- **CO Line Hunting Order for Idle Line Access and Trunk Group Access**

The CO line hunting sequence in a trunk group (from lowest numbered CO line, from highest numbered CO line or rotation) can be determined through system programming.

- A company name or customer name can be assigned on a CO line port basis so that the operator or extension user who is answering the call can view the destination which the caller is trying to reach before answering. This is useful, for example, when multiple companies share the same operator.
- It is possible to identify the CO line port that has a CO line connected to it. This prevents extension users from originating a call to a CO line which is not connected.

PC Programming Manual References

- 9.23 PBX Configuration—[1-1] Configuration—Slot—SLC2 - Port Property—◆ Connection
- 9.25 PBX Configuration—[1-1] Configuration—Slot—Port Property - LCO Port—◆ Connection
- 9.27 PBX Configuration—[1-1] Configuration—Slot—Port Property - PRI Port—◆ Connection
- 10.6.1 PBX Configuration—[2-6-1] System—Numbering Plan—Main—Features
 - ◆ Idle Line Access (Local Access)
 - ◆ Trunk Group Access
 - ◆ Single CO Line Access
- 10.7.2 PBX Configuration—[2-7-2] System—Class of Service—External Call Block
- 11.1.1 PBX Configuration—[3-1-1] Group—Trunk Group—TRG Settings—Main—◆ Line Hunting Order
- 11.1.2 PBX Configuration—[3-1-2] Group—Trunk Group—Local Access Priority
- 12.1.4 PBX Configuration—[4-1-4] Extension—Wired Extension—Flexible Button
 - ◆ Type
 - ◆ Parameter Selection (for Single CO)
 - ◆ Parameter Selection (for Group CO)
- 12.2.3 PBX Configuration—[4-2-3] Extension—Portable Station—Flexible Button
 - ◆ Type
 - ◆ Parameter Selection (for Single CO)
 - ◆ Parameter Selection (for Group CO)
- 16.1 PBX Configuration—[8-1] ARS—System Setting—◆ ARS Mode
- 18.1 PBX Configuration—[10-1] CO & Incoming Call—CO Line Settings—◆ CO Name

Feature Manual References

- 4.1.22 COS (Class of Service)

Operating Manual References

4.1.17 CO Line Call Limitation

Description

CO line calls are limited by the following features:

Feature	Description
Extension-to-CO Line Call Duration	If a call between an extension user and an outside party is established, the call duration can be restricted by the system timer selected for each trunk group. Both parties will hear warning tones at five-second intervals starting 15 seconds before the time limit. When the time limit expires, the line will be disconnected. COS programming determines whether this feature is enabled or disabled. Whether this feature applies to outgoing calls only, or to both outgoing and incoming calls is determined through system programming.
CO-to-CO Line Call (except Unattended Conference Call) Duration	If a call between two outside parties is established, the call duration can be restricted by the system timer selected for each trunk group. Both parties will hear warning tones at five-second intervals starting 15 seconds before the time limit. When the time limit expires, the line will be disconnected. If both parties involved in the CO-to-CO line call were established by an extension (e.g., an extension makes a CO line call, then transfers the call to an outside party), the time limit applied to the CO line call that was made first will be used.
Dialing Digit Restriction during Conversation	While engaged in an incoming CO line call, the dialing of digits can be restricted. If the number of dialed digits exceeds the limitation, the line will be disconnected.

Conditions

- During an Unattended Conference Call, the Unattended Conference Recall time is applied. (→ 4.1.18 Conference)
- When using LCO lines that do not support Calling Party Control (CPC) signal detection (→ 4.1.23 CPC (Calling Party Control) Signal Detection), the CO-to-CO Line Call Duration timer should not be disabled, as automatic end of call detection cannot be performed.

PC Programming Manual References

10.7.1 PBX Configuration—[2-7-1] System—Class of Service—COS Settings—CO & SMDR—◆ Extension-CO Line Call Duration Limit

10.9 PBX Configuration—[2-9] System—System Options—Option 2—◆ Extension - CO Call Limitation—For Incoming Call

11.1.1 PBX Configuration—[3-1-1] Group—Trunk Group—TRG Settings—Main
→◆ CO-CO Duration Time (*60s)

→◆ Extension-CO Duration Time (*60s)
 15.5 PBX Configuration—[7-5] TRS—Miscellaneous—◆ Dial Digits Limitation After Answering—Dial Digits

Feature Manual References

4.1.22 COS (Class of Service)

4.1.18 Conference

Description

An extension user can establish a conference call by adding additional parties to an already existing two-party conversation. This PBX supports three-party through eight-party conference calls. Conferences with more than four parties are only possible when a PT or PS user originates the conference.

Unattended Conference:

The conference originator can leave the conference and allow other parties to continue. Establishing an Unattended Conference allows the originator to return to the conference. Unattended Conferences can only be established by PT and PS users.

Conditions

- When an extension is establishing a conference call the original party is put on hold.
- **CONF (Conference) Button**
For a PT/PS which does not have the CONF button, a flexible button can be customized as the Conference button.
- **Unattended Conference Call Duration**
The length of time that a conference call can remain unattended is restricted by the following timers:
 - Callback Start Timer
 - Warning Tone Start Timer
 - Disconnect Timer
 These timers behave and operate according to the following chain of events:
 1. When the unattended conference is established, the Callback Start Timer will begin.
 2. When the Callback Start timer expires, the Unattended Conference originator's extension will start to receive a callback ringing from the PBX and the Warning Tone Start Timer begins.
 3. When the Warning Tone Start Timer expires, the remaining parties of the conference will start to hear a warning tone, the callback ringing will continue to be heard at the Unattended Conference originator's extension, and the Disconnect Timer begins.
 4. When the disconnect Timer expires, the conference is disconnected.
 If the Unattended Conference originator returns to the conference before the line is disconnected, all timers are cleared.
- If the originator of a conference with two CO lines leaves the conference, the call can become a CO-to-CO line call, if enabled through system programming.
 - When a CO-to-CO line call is established, the call will end when the CO-to-CO Line Call Duration timer has elapsed (→ 4.1.17 CO Line Call Limitation). The timer applied is that of the trunk group containing the CO line being used for the call immediately preceding the conference. The timer cannot be extended.
 - If both CO lines are analog CO lines, the end of the CO-to-CO line call may not be detected. For this reason, if analog CO lines are used, it is not recommended to enable the establishment of CO-to-CO line calls after a conference call through system programming.
- When a KX-UT series SIP phone is used to originate a conference and one of the other parties leaves the conference, the KX-UT series SIP phone user will still be able to talk to the remaining party but will not be able to use the standard Hold feature.

- **DSP Resource Usage**

A conference call requires a certain number of DSP resources. If all DSP resources are in use, this operation cannot be performed. To ensure a minimum level of performance, DSP resources can be reserved for conference calls. (→ 5.1.16 DSP Resource Usage)

PC Programming Manual References

9.33 PBX Configuration—[1-5] Configuration—DSP Resource

10.3 PBX Configuration—[2-3] System—Timers & Counters—DISA / Door / Reminder / U. Conf

→◆ Unattended Conference—Recall Start Timer

→◆ Unattended Conference—Warning Tone Start Timer

→◆ Unattended Conference—Disconnect Timer

10.7.1 PBX Configuration—[2-7-1] System—Class of Service—COS Settings—CO & SMDR—◆ Transfer to CO

10.9 PBX Configuration—[2-9] System—System Options—Option 2—◆ CO - CO Call Limitation—After Conference

10.9 PBX Configuration—[2-9] System—System Options—Option 3

→◆ Confirmation Tone—Tone 4-1 : Start Conference

→◆ Confirmation Tone—Tone 4-2 : Finish Conference

→◆ Echo Cancel—Conference

12.1.4 PBX Configuration—[4-1-4] Extension—Wired Extension—Flexible Button—◆ Type

12.2.3 PBX Configuration—[4-2-3] Extension—Portable Station—Flexible Button—◆ Type

Feature Manual References

7.1.3 Flexible Buttons

23.1 Capacity of System Resources

Operating Manual References

1.3.15 Conference

4.1.19 Conference Group Call

Description

Conference group calling allows you to call a pre-determined group (conference group) of parties simultaneously. Each party that answers the call joins the conference.

An extension user can call a conference group of up to 7 parties to establish a conference call, for a maximum of 8 participants. During a conference group call, the caller can restrict the ability of other members to speak.

Broadcast Mode

When Broadcast Mode is enabled through system programming, an extension user can call a conference group of up to 31 call members to make a voice announcement. Members can listen to the announcement by answering the call.

During the announcement, the voices of members will not be heard. However, the caller can allow up to 7 specific members to speak, making a conference call. This conversation can be heard by the other members.

[Push-to-talk feature for PS users]

PS users that are members of a Broadcast Mode call can enable their own ability to speak by pressing any of their dial keys during the Broadcast Mode announcement. This feature can be disabled through system programming.

Broadcast Mode can be used to broadcast an announcement to multiple PS users. With Automatic Answer enabled, the PS users will all hear the announcement through their headset or the PS's hands-free speaker. Then, any PS user can respond by using push-to-talk to enable their ability to speak, and their reply is heard by all broadcast members.

For example, a central operator could make a Broadcast Mode call paging PS users working throughout a building for assistance, and an available PS user can reply. The reply is heard by the other PS users as well. This makes it easy to assign and coordinate tasks with multiple staff members that are frequently moving throughout a building.

Conference Group Call Control

During a conference group call, the caller can restrict or allow members' ability to speak, and can remove members from the call using the following buttons. These buttons will function irrelevant of the Conference Group Call mode. Pressing the other buttons during the conversation will be ignored.

Note

The operation of these buttons during a conference group call is different from the operations for the Conference feature (→ 4.1.18 Conference).

Button	Function
DSS	Disables or enables the corresponding member's ability to speak.
CONF (Conference)	Establishes a conversation with the current members in the order assigned in the conference group. Pressing this button again will add the next available member in the group to the conversation.
TRANSFER	Removes the member who joined the conversation last. The member can still listen to the announcement.
FLASH/RECALL (Flash/Recall mode)	Removes the member who joined the conversation last. The member will be disconnected from the conference group call and hear a reorder tone.
SP-PHONE	Enables a hands-free conversation.

A member extension can inform the caller that he wants to speak or join the conversation by sending a notification. The caller will hear a notification tone and the requesting extension's information will be shown on the display for five seconds.

Conference Groups

Eight conference groups can be programmed, and a maximum of 7 members (31 members in Broadcast Mode) can be assigned to each group. The available destinations as members of the conference group are as follows:

Destination	Availability
Wired Extension (PT/SLT/SIP Extension/T1-OPX)	✓
PS	✓
ICD Group	
PS Ring Group	
UM Group	
VM Group (DTMF/DPT)	
Fax Unit	
External Pager (TAFAS)	

Destination	Availability
DISA	
Idle Line Access no. + Phone no.	✓
Trunk Group Access no. + Trunk Group no. + Phone no.	✓
Extension of Another PBX (via TIE Line, Access with PBX Code)	✓ ^{*1}
Extension of Another PBX (via TIE Line, Access without PBX Code)	✓ ^{*1}

*1 Only available when the networking type of the CO line is assigned as private.

Join After Time Out

When conference group members do not answer a conference group call within the preprogrammed time limit, the member's telephones will stop ringing. However, even after the time limit has expired, members can join the conference.

Additionally, extension users not registered in the called conference group can join a conference after it has started. Outside callers using DISA and TIE line users can also join a conference after accessing their extension using Walking COS.

An entry code can also be specified to restrict access to the call. The entry code can be set when the caller initiates the conference group call. If an entry code is to be set, usually the caller will inform call participants in advance.

[Starting a Conference Group Call using Hands-free Answerback]

Hands-free Answerback can be enabled for conference group member extensions. By initiating a conference group call with a conference group that includes an extension that has Hands-free Answerback (→ 9.1.1 Hands-free Answerback) enabled, such as a softphone, the call can be automatically answered and the conference begins with only one participant (the initiator of the conference group call). Then, up to 6 participants can use Join After Time Out to join the conference. For example, a manager can organize a meeting where all the members are calling from cellular phones and use Join After Time Out to join the conference.

Conditions

- Only extensions that are permitted by COS programming can originate conference group calls.
- Conference Group Call Control features are unavailable if an SLT or SIP extension is used to initiate the call.
- After one conference group member answers the call, the conference or announcement is established.
- If no members answer the call within the preprogrammed time limit, the caller will hear a busy tone.
- The caller will hear a confirmation tone every time a member answers the call.
- When the originating caller of a conference group call goes on-hook, the call ends and all participating members will be disconnected.
- The conference group call will reach a member extension regardless of settings such as Call Forwarding (except DND).
- If a member extension is busy and has Call Waiting for CO line calls activated when a conference group call is made, a call waiting tone will be sent to the extension.
- The call information of the caller (not members) will be recorded on SMDR.
- A caller cannot make a conference group call with a call on hold.
- Call Pickup is not available for a conference group call. (→ 4.1.8 Call Pickup)
- The conference group call will not reach members when:
 - the member extension has set DND for intercom calls.
 - the member extension is a PS in Wireless XDP Parallel Mode. (→ 22.1.5 Wireless XDP Parallel Mode)

- If a conversation has reached the maximum number of participants, the Join After Time Out feature cannot be used to join the conversation.
- If 7 members of a Broadcast Mode call already have the ability to speak enabled, PS users cannot use the push-to-talk feature.
- If a member uses push-to-talk to enable the ability to speak during a Broadcast Mode call, the member cannot disable this ability. They can mute their microphone manually, or the originator of the call can use conference group call control to disable their ability to speak.
- Since each PS requires one wireless channel, note your PBX's wireless capacity when assigning multiple PSs to a conference group.

PC Programming Manual References

- 10.3 PBX Configuration—[2-3] System—Timers & Counters—Miscellaneous—◆ Conference Group Call—Ring Duration
- 10.6.1 PBX Configuration—[2-6-1] System—Numbering Plan—Main—Features—◆ Conference Group Call Operation
- 10.7.1 PBX Configuration—[2-7-1] System—Class of Service—COS Settings—Miscellaneous—◆ Conference Group Call Operation
- 11.9 PBX Configuration—[3-9] Group—Conference Group
 - ◆ Broadcast Mode
 - ◆ PS Operation to Talk
- 11.9.1 PBX Configuration—[3-9] Group—Conference Group—Member List

Feature Manual References

- 9.1.1 Hands-free Answerback
- 23.1 Capacity of System Resources

Operating Manual References

- 1.3.17 Conference Group Call

4.1.20 Confirmation Tone

Description

At the end of feature operations, the PBX confirms the success of the operation by sending a confirmation tone to extension users.

Type	Description
Tone 1	<ul style="list-style-type: none"> a. Sent when the setting is accepted. b. Sent when a call is received in voice-calling mode (Alternate Receiving—Ring/Voice). The caller's voice will be heard after the tone.
Tone 2	<ul style="list-style-type: none"> a. Sent from an external paging device or an extension before being paged. b. Sent when a call is received while an extension is in Hands-free Answerback mode.

Type	Description
Tone 3-1	<p>a. Sent before a conversation is established when using the Paging feature.</p> <p>b. Sent to the caller when a conversation is established with an extension in one of the following modes:</p> <ul style="list-style-type: none"> • Hands-free Answerback mode • Voice-calling mode (Alternate Receiving—Ring/Voice) <p>c. Sent when making a call to or from a doorphone.</p>
Tone 3-2	<p>Sent before a conversation is established when accessing the following features by the feature numbers:</p> <ul style="list-style-type: none"> • Call Park Retrieve • Call Pickup • Hold Retrieve • Paging Answer • Trunk Answer From Any Station (TAFAS)
Tone 4-1	Sent when a call changes from a two-party call to a three-party call (e.g., Executive Busy Override, Conference, Privacy Release, Two-way Record).
Tone 4-2	Sent when a call changes from a three-party call to a two-party call (e.g., Executive Busy Override, Conference, Privacy Release, Two-way Record).
Tone 5	Sent when a call is placed on hold (including a consultation hold).

Conditions

- **Confirmation Tone Patterns**
All confirmation tone patterns have a default (→ 23.2 Tones/Ring Tones).
- It is possible to eliminate each tone.

PC Programming Manual References

- 10.9 PBX Configuration—[2-9] System—System Options—Option 3
- ◆ Confirmation Tone—Tone 1 : Called by Voice
 - ◆ Confirmation Tone—Tone 2 : Paged / Automatic Answer
 - ◆ Confirmation Tone—Tone 3-1 : Start Talking after Making Call / Call from DOORPHONE
 - ◆ Confirmation Tone—Tone 3-2 : Start Talking after Answering Call
 - ◆ Confirmation Tone—Tone 4-1 : Start Conference
 - ◆ Confirmation Tone—Tone 4-2 : Finish Conference
 - ◆ Confirmation Tone—Tone 5 : Hold

4.1.21 Consultation Hold

Description

Consultation Hold is a condition that a party is in, when an extension is calling other parties in order to perform Call Transfer, Conference, or Call Splitting. When the operation is completed or canceled, the consultation hold is released.

In Consultation Hold, the original call is treated as if it is on hold, allowing the extension to call a third party all on one line. In Call Hold, the party on hold and the third party are connected to the extension using separate lines.

Feature Manual References

- 4.1.9 Call Splitting
- 4.1.10 Call Transfer
- 4.1.18 Conference

4.1.22 COS (Class of Service)

Description

Each extension must belong to a Class of Service (COS). By assigning certain extensions to a COS, it is possible to control the behavior and privileges of extension users (allowing or denying certain extensions access to various features, extensions, and CO lines) depending on the duties appointed to them. Many extensions can belong to the same COS by assigning each extension the same COS number, allowing the same restrictions and privileges to apply to a group of extensions.

The following features are controlled on a COS basis:

- a. → 10.1.14 Internal Call Block
- b. → 7.1.6 FWD (Call Forwarding)
- c. → 5.1.11 DND (Do Not Disturb)—DND Override
- d. → 4.1.8 Call Pickup
- e. → 2.1.2 Account Code Entry
- f. → 4.1.16 CO Line Access
- g. → 6.1.5 Executive Busy Override
- h. → 4.1.6 Call Monitor
- i. → 14.1.3 OHCA (Off-hook Call Announcement)
- j. → 22.1.4 Whisper OHCA
- k. → 19.1.5 TRS (Toll Restriction)
- l. → 6.1.6 Extension Dial Lock
- m. → 22.1.1 Walking COS
- n. → 4.1.17 CO Line Call Limitation
- o. → 4.1.10 Call Transfer
- p. → 5.1.12 Door Open
- q. → 5.1.9 DISA (Direct Inward System Access)
- r. → 22.1.5 Wireless XDP Parallel Mode
- s. → 18.1.4 SMDR (Station Message Detail Recording)—SMDR for Outgoing CO Line Calls
- t. → 19.1.3 Time Service—Time Service Switching
- u. → 13.1.1 Manager Features
- v. → 15.1.28 PT Programming
- w. → 15.1.4 PDN (Primary Directory Number)/SDN (Secondary Directory Number) Extension—SDN Key mode, SDN Walking COS, and assigning SDN buttons through PT programming

COS for Unified Messaging

The Unified Messaging system has its own COS settings for controlling access to various functions. (→ 4.1.22 COS (Class of Service))

Conditions

- **Walking COS**
Extension users can make a call from extensions of a less-privileged COS by using their own COS temporarily. (→ 22.1.1 Walking COS)

PC Programming Manual References

- 10.7.1 PBX Configuration—[2-7-1] System—Class of Service—COS Settings
- 12.1.1 PBX Configuration—[4-1-1] Extension—Wired Extension—Extension Settings—Main—◆ COS
- 12.2.1 PBX Configuration—[4-2-1] Extension—Portable Station—Extension Settings—Main—◆ COS

Feature Manual References

- 23.1 Capacity of System Resources

4.1.23 CPC (Calling Party Control) Signal Detection

Description

The Calling Party Control (CPC) signal is an on-hook indication (disconnect signal) sent from an analog CO line when the other party hangs up. To maintain efficient utilization of CO lines, the PBX monitors each line's status and when CPC signal is detected on a line, the PBX disconnects the line and alerts the extension with a reorder tone.

Conditions

- CPC signal detection is programmable for incoming CO line calls, and for outgoing CO line calls.
- If your telephone company sends signals similar to CPC, it is recommended not to enable CPC signal detection on outgoing CO line calls.
- If CPC signal is detected during a conference call (→ 4.1.18 Conference), the line is disconnected. The remaining parties stay connected.
- If CPC signal is detected during a call between a caller using the Direct Inward System Access (DISA) feature (→ 5.1.9 DISA (Direct Inward System Access)) and an extension or an outside party, the line is disconnected.

PC Programming Manual References

- 9.25 PBX Configuration—[1-1] Configuration—Slot—Port Property - LCO Port—◆ CPC Signal Detection Time—Outgoing, Incoming

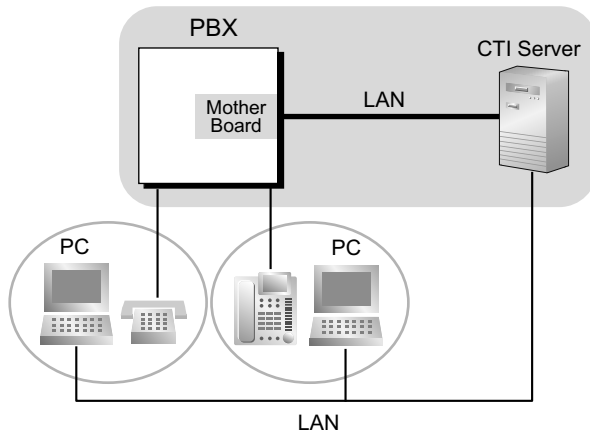
4.1.24 CTI (Computer Telephony Integration)

Description

The PBX supports a CTI interface using the LAN port of the mother board. The CTI interface allows extension users to make or receive calls with advanced features:

- Extension users can make calls easily from a phone book in their PC.
- When an extension user receives an incoming call, detailed caller information can be displayed on the PC automatically.

A PC and CTI server application software, such as Panasonic Communication Assistant (CA), are required to use CTI features. The PC running the application monitors the status of the PBX and controls the PBX via the CTI Server.

[Example]**Conditions**

- CTI application software must be installed on the connected PC. In addition, KX-NSF101 (Activation Key for CTI interface) is required to use CTI applications other than CA. In a One-look network, the activation key is required only for the Master unit.
- CTI support for SIP extensions is available only for KX-UT series SIP phones.
- **Application Programming Interface (API)/Protocol**

Type	API/Protocol
Third Party Call Control	<ul style="list-style-type: none"> • ECMA CSTA Phase 3 • TAPI 2.1

- Only one CTI server can connect to the PBX at a time.
- For details about specific CTI features, refer to the manual for your CTI application software.

Installation Manual References

4.10 Connection of Peripherals

PC Programming Manual References

- 10.6.1 PBX Configuration—[2-6-1] System—Numbering Plan—Main—Features—◆ Dial Information (CTI)
 10.9 PBX Configuration—[2-9] System—System Options—Option 6 (CTI)

Section 5

Features and Configurations—D

5.1 D

5.1.1 Data Line Security

Description

Once Data Line Security is set on an extension, communication between the extension and the other party is protected from signals such as Call Waiting, Hold Recall and Executive Busy Override. Extensions which have devices connected to them such as modems or fax machines may set this feature to maintain secure data transmission, by blocking tones or other interruptions during communication.

PC Programming Manual References

- 10.6.1 PBX Configuration—[2-6-1] System—Numbering Plan—Main—Features—◆ Data Line Security Set / Cancel
- 12.1.1 PBX Configuration—[4-1-1] Extension—Wired Extension—Extension Settings—Option 2—◆ Data Mode

Operating Manual References

- 1.3.18 Data Line Security

5.1.2 DHCP (Dynamic Host Configuration Protocol) Assignment

Description

It is possible to assign this PBX as a DHCP client, allowing IP addresses to be received from a DHCP server over a LAN.

Conditions

- It is possible to enable this feature through system programming.

Notice

It is important to set your DHCP server to not change the IP addresses of the mother board and DSP cards once IP telephones are registered to the PBX. The IP telephones will not operate properly if these IP addresses are changed.

PC Programming Manual References

- 27.1 Network Service—[1] IP Address/Ports—Basic Settings
 - ◆ LAN Setting—Obtain an IP address automatically/Use the following IP address
 - ◆ LAN Setting—IP Address
 - ◆ DSP IP Setting—Obtain DSP IP address automatically/Use the following DSP IP address

5.1.3 DHCP (Dynamic Host Configuration Protocol) Server

Description

The PBX has a built-in DHCP server. When the DHCP server is enabled, the PBX will automatically assign IP addresses to other devices on the network, such as IP-PTs.

Using a DHCP server simplifies network management by removing the need to assign IP addresses to devices manually.

Conditions

- The DHCP Server feature cannot be used if the PBX's IP address assignment mode is set to DHCP.
- If the PBX's DHCP server is enabled, make sure that no other DHCP servers are running on the same network. Having more than one DHCP server on a network can result in network errors.
- For the following settings, the PBX delivers the settings of its LAN port to devices: subnet mask, default gateway address, and DNS server addresses. As NTP server information for KX-UT extensions, the PBX delivers either its own IP address or that of an external NTP server.

PC Programming Manual References

27.2.1 Network Service—[2-1] Server Feature—DHCP

5.1.4 Dial Mode Selection

Description

The dialing mode (rotary or tone) can be selected for each analog CO line through system programming regardless of the originating extension (under contract with the telephone company).

Mode	Description
DTMF (Dual Tone Multi-Frequency)	Numbers dialed by an extension user are transmitted to the CO line using analog tones.
Pulse Dial (Rotary)	Numbers dialed by an extension user are transmitted to the CO line using analog pulses.

Conditions

- **Pulse to Tone Conversion**
It is possible for an extension user to temporarily switch from Pulse mode to DTMF mode in order to access special services such as computer-accessed long distance calling or voice mail services. To switch to DTMF mode, wait for a preprogrammed time period (Default: 5 seconds) after the CO line is connected, or press ✖. This feature works only on CO lines set to Pulse mode. DTMF mode cannot be changed to Pulse mode.
- It is possible to select a pulse rate for the CO line port which has been set to Pulse mode. There are two pulse rates: Low (10 pps) and High (20 pps).
- It is possible to assign the minimum duration of the DTMF signal sent to the CO line port which has been set to DTMF mode.

PC Programming Manual References

- 9.25 PBX Configuration—[1-1] Configuration—Slot—Port Property - LCO Port
 - ◆ Dialing Mode
 - ◆ DTMF Width
 - ◆ Pulse Speed

5.1.5 Dial Tone

Description

The following dial tones inform extension users about features activated on their extensions: Each dial tone type has two frequencies, such as dial tone 1A and dial tone 1B.

Type	Description
Tone 1A/1B	A normal dial tone is heard when: <ul style="list-style-type: none"> a. No features listed for dial tones 2 through 4 has been set, or b. Automatic Route Selection (ARS) is used.
Tone 2A/2B	This tone is heard when: <ul style="list-style-type: none"> • Any of the features below are set. <ul style="list-style-type: none"> • Absent Message • BGM • Call Forwarding (FWD) • Call Pickup Deny • Call Waiting • Do Not Disturb (DND) • Extension Dial Lock • Executive Busy Override Deny • Hot Line • Timed Reminder
Tone 3A/3B	This tone is heard when: <ul style="list-style-type: none"> • A called PS is being searched for. • Any of the features below are performed. <ul style="list-style-type: none"> • Account Code Entry • Consultation Hold • Answering a Timed Reminder call with no message
Tone 4A/4B	This tone is heard when new messages have been recorded for the extension.

Conditions

- **Dial Tone Type A/B**
Through system programming, it is possible to select dial tone type A or B for dial tones 1 through 4. If "**Type A**" is selected, all dial tones 1 through 4 will become dial tone type A. The dial tone type for the ARS feature can be selected separately. If "**Type A**" is selected for ARS, dial tone 1A will be heard. If "**Type B**" is selected, dial tone 1B will be heard.
- **Dial Tone Patterns**
All dial tone patterns have a default (→ 23.2 Tones/Ring Tones).
- Only dial tone 1 is sent to the extensions in a VM (DPT/DTMF) group.

PC Programming Manual References

- 10.9 PBX Configuration—[2-9] System—System Options—Option 3
 - ◆ Dial Tone—Distinctive Dial Tone
 - ◆ Dial Tone—Dial Tone for Extension
 - ◆ Dial Tone—Dial Tone for ARS

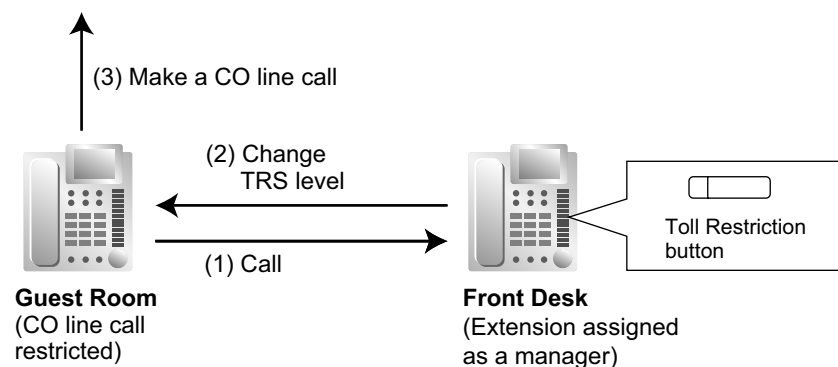
5.1.6 Dial Tone Transfer

Description

An extension assigned as the manager can change the TRS level (→ 19.1.5 TRS (Toll Restriction)) for an extension user temporarily. After that, the extension user can make his call.

[Example]

A hotel guest calls the front desk and asks for the telephone's toll restriction to be lifted in order to make an international call.



Conditions

- The modified TRS level only applies to the next one call placed at the user's extension.
- **Toll Restriction Button**
A manager extension must store the TRS level granted by the Dial Tone Transfer beforehand, when assigning a flexible button as the Toll Restriction button.

PC Programming Manual References

- 12.1.4 PBX Configuration—[4-1-4] Extension—Wired Extension—Flexible Button
 - ◆ Type
 - ◆ Parameter Selection (for TRS Level Change)
- 12.2.3 PBX Configuration—[4-2-3] Extension—Portable Station—Flexible Button
 - ◆ Type
 - ◆ Parameter Selection (for TRS Level Change)

Feature Manual References

- 7.1.3 Flexible Buttons

Operating Manual References

2.1.1 Dial Tone Transfer

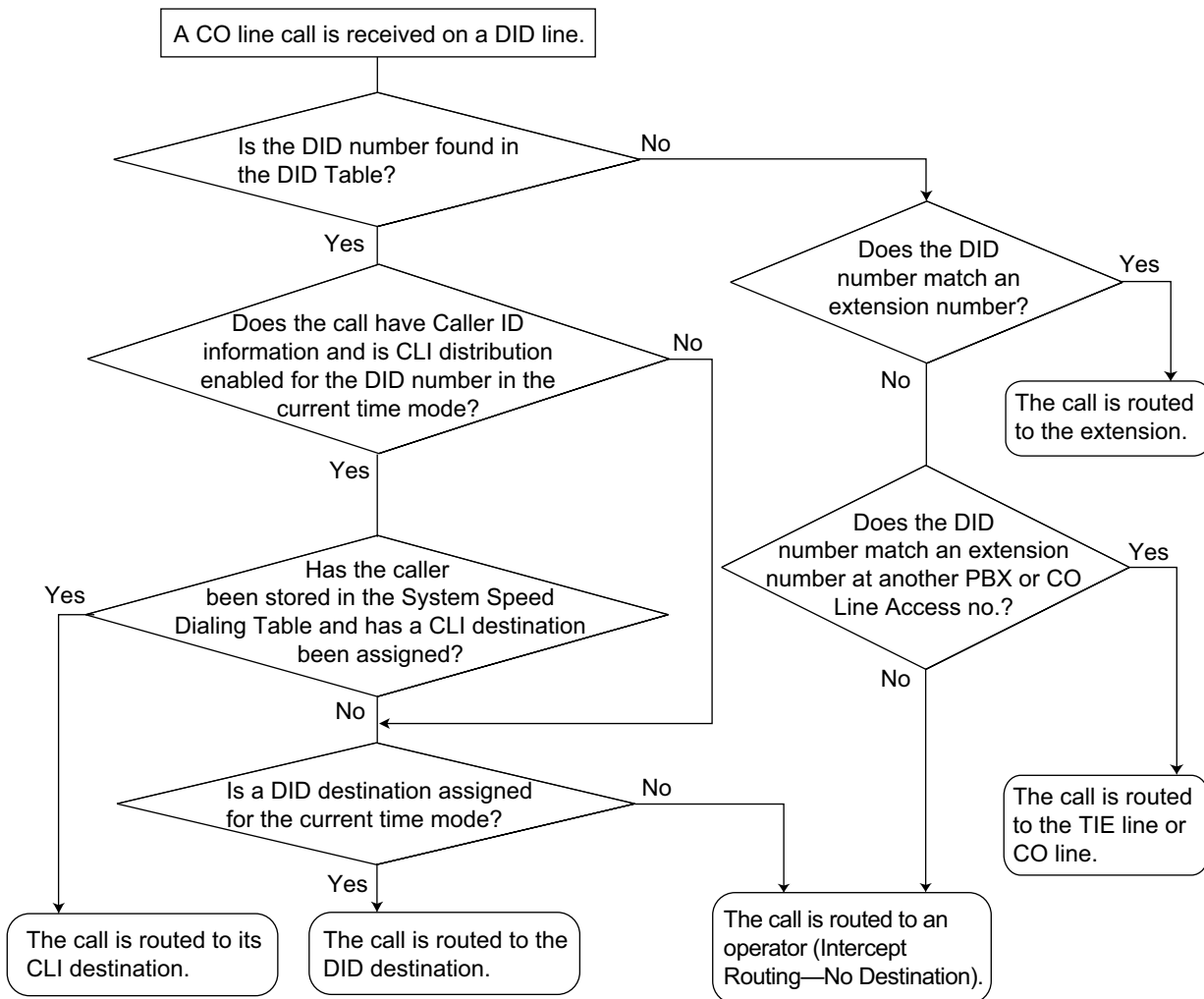
5.1.7 DID (Direct Inward Dialing)

Description

Directs a call on a public CO line assigned as a Direct Inward Dialing (DID) line to a preprogrammed destination according to the call's DID number, which is based on the telephone number dialed by the caller. When a call reaches its destination via DID distribution, the DID name will be displayed on the proprietary telephone (PT), allowing extension users to easily see whom a call is directed to. Each DID number has a destination for each time mode.

DID distribution allows you to use your telephone numbers for specific purposes. For example, you can direct calls from customers' fax machines to your office fax machine automatically, or allow your overseas customers to be automatically connected to specific operators. Incoming calls with DID numbers that match extension numbers at this PBX will be sent to the corresponding extension. Incoming calls with DID numbers that match extensions at other PBXs or CO line access numbers will be sent to the corresponding TIE line or CO line.

[Method Flowchart]



[Programming Example: DID Table]

Location	DID No. ¹	DID Name ²	CLI Distribution ³				DID Destination ⁴			
			Day	Lunch	Break	Night	Day	Lunch	Break	Night
1	123-4567	Sales	Enable	Disable	Enable	Disable	105	100	105	100
2	123-2468	Judy	Enable	Disable	Disable	Disable	102	100	102	100

¹ → 18.3 PBX Configuration—[10-3] CO & Incoming Call—DDI / DID Table—◆ DDI / DID Number

² → 18.3 PBX Configuration—[10-3] CO & Incoming Call—DDI / DID Table—◆ DDI / DID Name

³ → 18.3 PBX Configuration—[10-3] CO & Incoming Call—DDI / DID Table—◆ CLI Ring for DDI/DID—Day, Lunch, Break, Night

⁴ → 18.3 PBX Configuration—[10-3] CO & Incoming Call—DDI / DID Table—◆ DDI / DID Destination—Day, Lunch, Break, Night

In this example:

If the DID number is "123-4567":

1. The PBX looks for the DID number in the table and finds it in location 1.
2. The PBX checks the time mode.

In day mode: Calling Line Identification (CLI) distribution is enabled. The call is routed to its CLI destination, if assigned. If not assigned, the call is routed to the DID destination, extension 105, and "Sales" is displayed.
In lunch mode: CLI distribution is disabled. The call is routed to the DID destination, extension 100, and "Sales" is displayed.

Note

The following settings can also be specified in the DID table:

- Tenant number: determines the time mode (day/lunch/break/night) for the corresponding trunk.
- UM service group number: determines the service group to use when a call is handled by the Unified Messaging system.
- VM trunk group number: used in Voice Mail DPT (Digital) Integration with a VPS.

Conditions

- To use this feature, DID must be assigned as the distribution method for the desired CO line port.

PC Programming Manual References

10.3 PBX Configuration—[2-3] System—Timers & Counters—Miscellaneous—◆ Incoming Call Inter-digit Timer—DDI / DID

18.2 PBX Configuration—[10-2] CO & Incoming Call—DIL Table & Port Settings—DDI / DID / TIE

→◆ Distribution Method

→◆ DDI/DID/TIE—Remove Digit

→◆ DDI/DID/TIE—Additional Dial

18.3 PBX Configuration—[10-3] CO & Incoming Call—DDI / DID Table

Feature Manual References

4.1.14 CLI (Calling Line Identification) Distribution

10.1.10 INCOMING CALL FEATURES

19.1.2 Tenant Service

19.1.3 Time Service

23.1 Capacity of System Resources

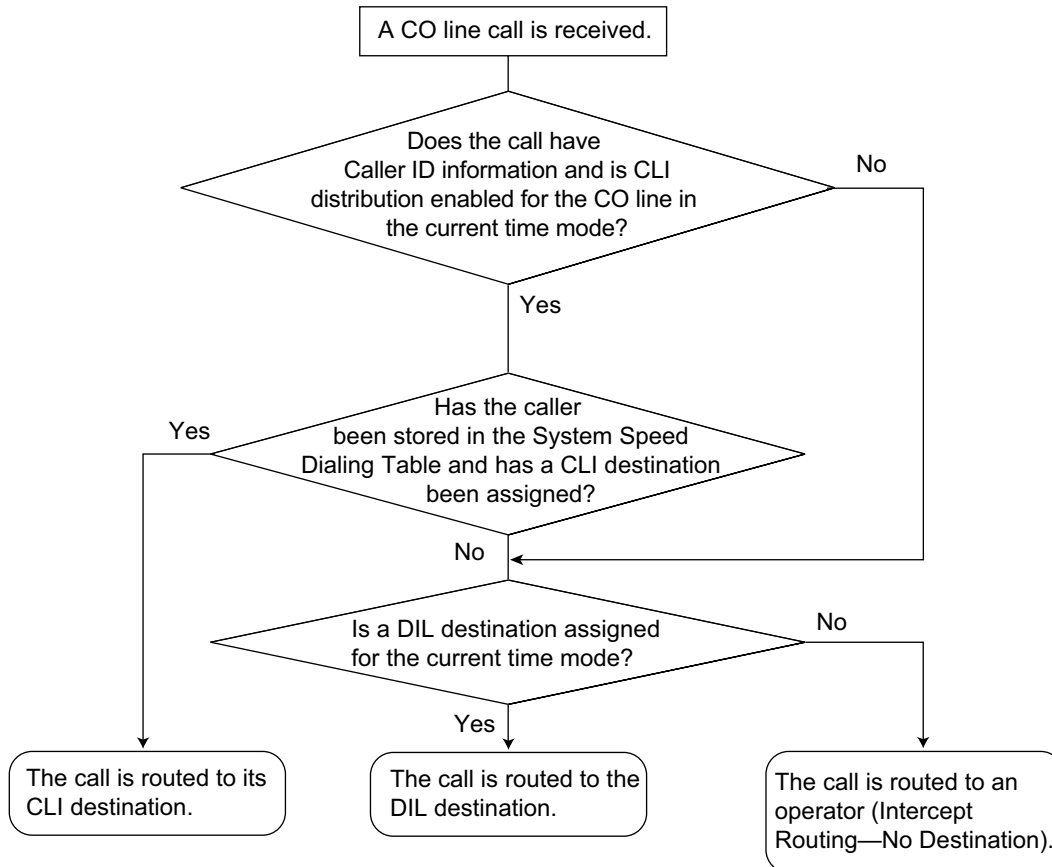
20.1.78 Unified Messaging—Service Group

5.1.8 DIL (Direct In Line)

Description

Directs an incoming public CO line call to a preprogrammed destination based on the CO line carrying the call. Each CO line has a destination for each time mode.

[Method Flowchart]



[Programming Example: DIL Table]

The table can be programmed for each CO line.

Port No. (CO Line No.)	CLI Distribution				DIL Destination ¹			
	Day	Lunch	Break	Night	Day	Lunch	Break	Night
01	Enable	Disable	Enable	Disable	101	100	101	100
02	Enable	Disable	Disable	Disable	102	100	102	100

¹ → 18.2 PBX Configuration—[10-2] CO & Incoming Call—DIL Table & Port Settings—DIL—◆ DIL Destination—Day, Lunch, Break, Night

In this example:

If a CO line call is received on CO line 01:

In day mode: Calling Line Identification (CLI) distribution is enabled. The call is routed to its CLI destination, if assigned. If not assigned, the call is routed to the Direct In Line (DIL) destination, extension 101.

In lunch mode: CLI distribution is disabled. The call is routed to the DIL destination, extension 100.

Note

The following settings can also be specified in the DIL table:

- Tenant number: determines the time mode (day/lunch/break/night) for the corresponding trunk.
- UM service group number: determines the service group to use when a call is handled by the Unified Messaging system.
- VM trunk group number: used in Voice Mail DPT (Digital) Integration with a VPS.

Conditions

- To use this feature, DIL must be assigned as the distribution method for the desired CO line port.

PC Programming Manual References

- 18.2 PBX Configuration—[10-2] CO & Incoming Call—DIL Table & Port Settings—DIL
 - ◆ DIL Destination—Day, Lunch, Break, Night
 - ◆ Tenant Number
 - ◆ UM Service Group No.
 - ◆ VM Trunk Group No.

Feature Manual References

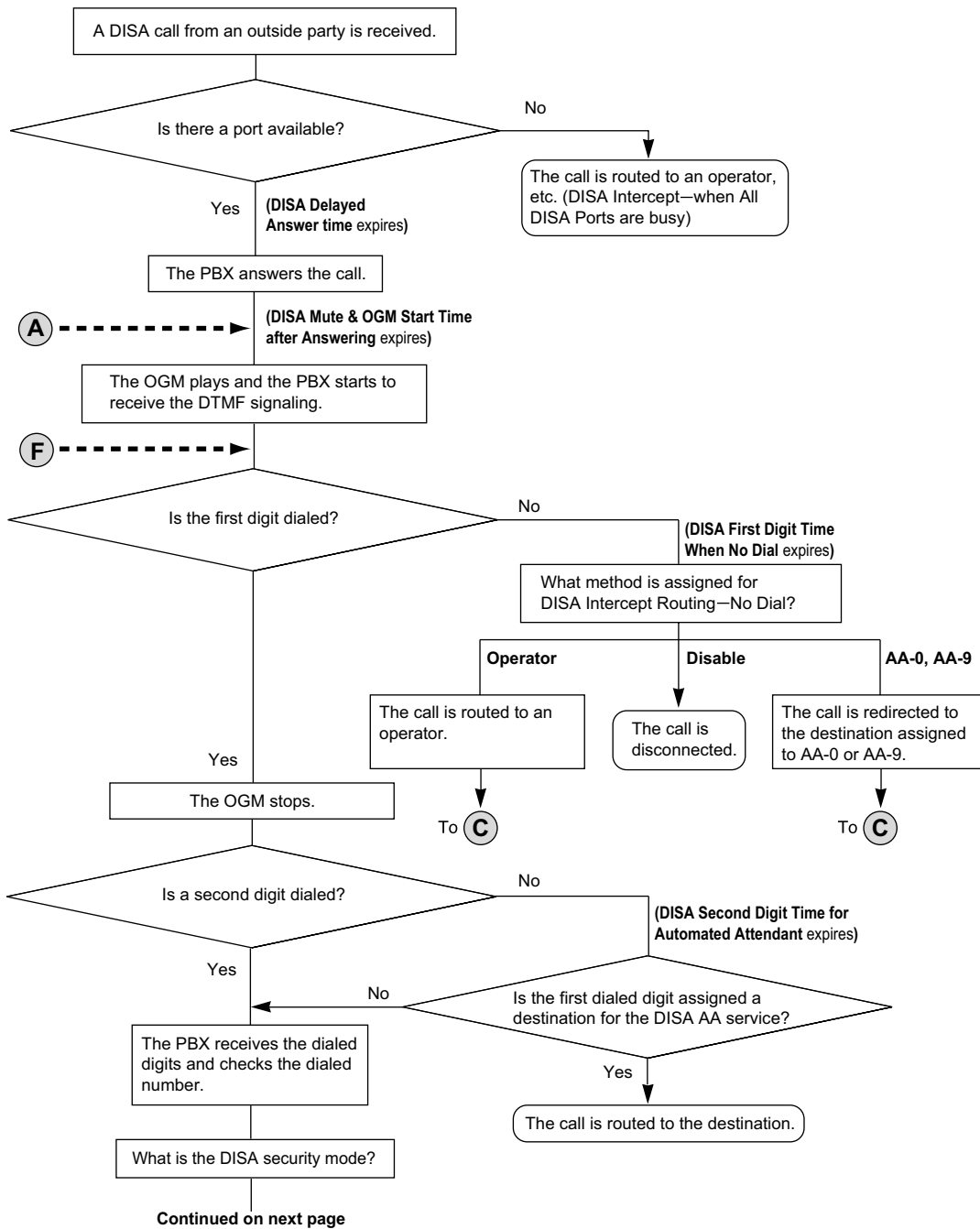
- 4.1.14 CLI (Calling Line Identification) Distribution
- 10.1.10 INCOMING CALL FEATURES
- 19.1.3 Time Service
- 20.1.78 Unified Messaging—Service Group

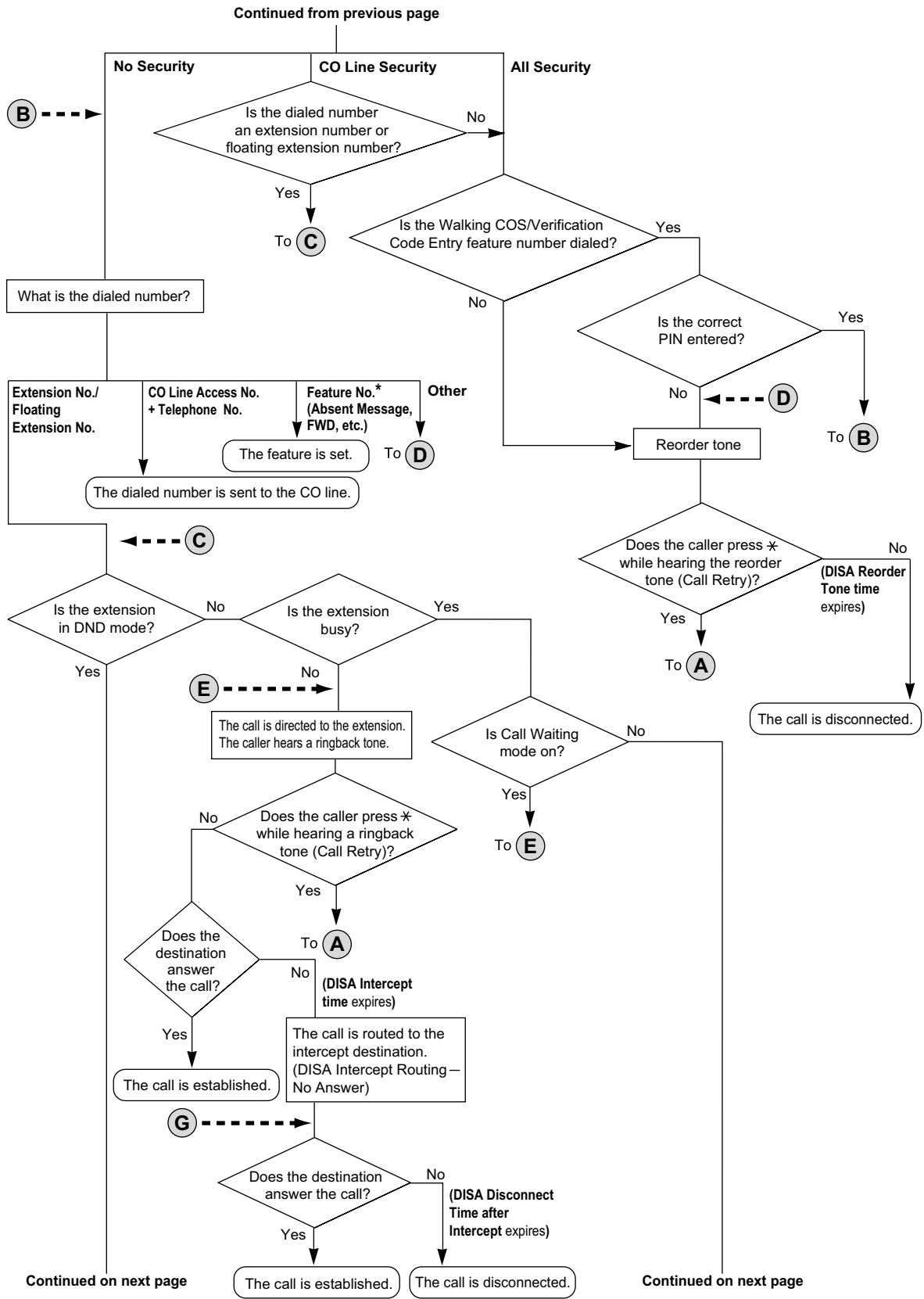
5.1.9 DISA (Direct Inward System Access)**Description**

An outside caller can access specific PBX features as if the caller is an SLT extension user in the PBX, when the incoming call destination is a DISA floating extension number assigned to each DISA message. The caller can have direct access to features such as:

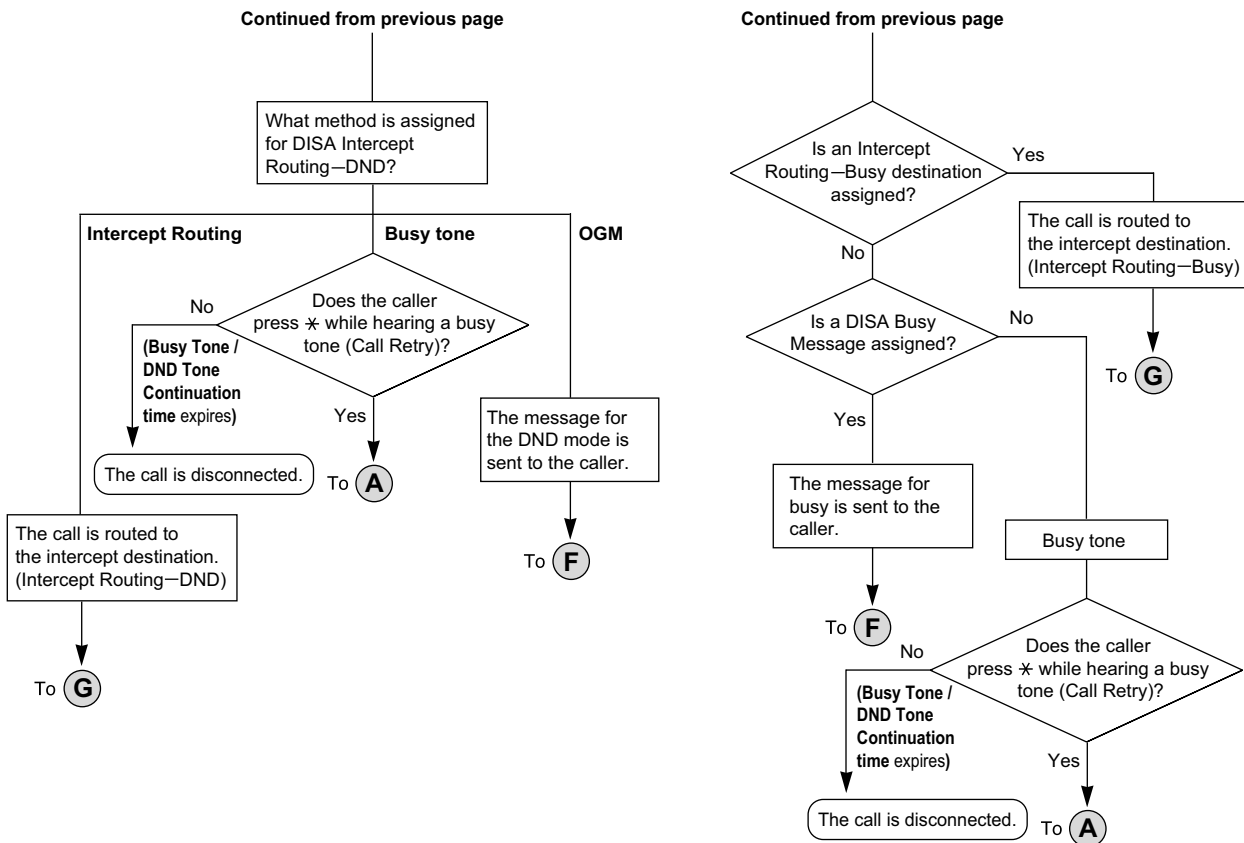
- Placing an intercom call to an extension, operator or any floating extensions (e.g., an external pager for TAFAS).
- Calling an outside party via the PBX.
- Operating some PBX remote features (e.g., FWD).

[Flowchart]





* Feature numbers are available only when the Walking COS feature is used.



DISA Intercept Routing—No Dial

If the caller fails to dial any digits within a preprogrammed time period (DISA 1st Dial Time for Intercept) after hearing the outgoing message (OGM), one of the following can be selected through system programming:

- a. **Disable:** The call will be terminated.
- b. **Operator:** The call will be redirected to the operator.
- c. **AA-0, AA-9:** The call will be redirected to the destination assigned to that AA number.

→ 10.3 PBX Configuration—[2-3] System—Timers & Counters—DISA / Door / Reminder / U. Conf—◆ DISA—No Dial Intercept Timer

→ 13.3.1 PBX Configuration—[5-3-1] Optional Device—Voice Message—DISA System—Option 1—◆ DISA Intercept—Intercept when No Dial after DISA answers

DISA Built-in Automated Attendant Number (DISA AA Service)

After listening to the outgoing message (OGM), the caller may dial a single digit (DISA AA number). The destination for each DISA AA number can be assigned for each message. It is also possible to assign other DISA floating extension numbers as the destination (**Multistep DISA AA Service**).

If the caller dials a second digit within a preprogrammed time period (DISA 2nd Dial Time for AA), the DISA AA service is not employed.

13.3.2 PBX Configuration—[5-3-2] Optional Device—Voice Message—DISA Message—◆ 1 Digit AA Destination (Extension Number)—Dial 0–9

10.3 PBX Configuration—[2-3] System—Timers & Counters—DISA / Door / Reminder / U. Conf—◆ DISA—2nd Dial Timer for AA

Outgoing Message (OGM)

When a call arrives on a DISA line, a prerecorded DISA message will greet and guide the caller.

Any extension assigned as the manager can record outgoing messages (OGMs). (→ 14.1.2 OGM (Outgoing Message))

[Programming Example]

Outgoing Message (OGM) No.	Floating Extn. No. ^{*1}	Automated Attendant No. ^{*2}										Busy/DND Message No. ^{*3}
		0	1	2	3	4	5	6	7	8	9	
01	536	100	301	200	103	202	101	102	400	104	205	04
02	537											05
:	:	:	:	:	:	:	:	:	:	:	:	:

^{*1} → 13.3.2 PBX Configuration—[5-3-2] Optional Device—Voice Message—DISA Message—◆ Floating Extension Number
The default floating extension number depends on the value specified for **Numbering Plan** in Easy Setup.

→ 2.1.4 Easy Setup Wizard—PBX Setting—Select the default value of Numbering Plan

^{*2} → 13.3.2 PBX Configuration—[5-3-2] Optional Device—Voice Message—DISA Message—◆ 1 Digit AA Destination (Extension Number)—Dial 0–9

^{*3} → 13.3.2 PBX Configuration—[5-3-2] Optional Device—Voice Message—DISA Message—◆ Busy / DND Message No.

DISA Security Mode and Available Features

If the DISA AA service is not employed, the caller may access the PBX features by entering the feature numbers. To prevent others from accessing the PBX features, it is possible to assign DISA security.

→ 13.3.1 PBX Configuration—[5-3-1] Optional Device—Voice Message—DISA System—◆ DISA Security—DISA Security Mode

The features available depend on the preprogrammed DISA security mode as follows:

Security Mode	Intercom Call	TIE Line Call		CO Line Call
		Without PBX Code	With PBX Code	
All Security				
CO Line Security	✓	✓		
No Security	✓	✓	✓	✓ ^{*1}

✓: Available

^{*1} If CO line call is available, Account Code Entry (→ 2.1.2 Account Code Entry) is also available.

Note

DISA AA service and Operator Call (→ 14.1.8 Operator Features) are available for any security mode.

Security Mode Override by Verification Code Entry

If the caller performs Verification Code Entry (→ 21.1.1 Verification Code Entry) while hearing a DISA message, the security mode can be temporarily changed to No Security mode.

Entry method:

Verification Code Entry feature number + * + verification code + verification code PIN

After changing mode, the new mode remains in force for the duration of the call.

DISA Intercept Routing—Busy

If the first destination called by the outside party is busy, the call is redirected as follows:

- a. The call is redirected to the Intercept Routing—Busy destination assigned to the first destination.
- b. If an Intercept Routing—Busy destination is not assigned to the first destination and a prerecorded DISA Busy Message is assigned, the caller will hear the DISA Busy Message.
- c. If neither an intercept destination nor a DISA Busy Message is assigned, the caller will hear a busy tone.

12.1.1 PBX Configuration—[4-1-1] Extension—Wired Extension—Extension Settings—Intercept Destination—◆ Intercept Destination—When Called Party is Busy

DISA Intercept Routing—DND

If the destination called by the outside party is in DND mode and Idle Extension Hunting is not available, one of the following can be selected through system programming:

- a. **Busy Tone:** The caller will hear a busy tone.
- b. **Enable:** DND will redirect the call to the preprogrammed destination on an extension basis.
- c. **OGM:** An outgoing message (OGM) will be sent to the caller. The message for DND mode can be assigned for each outgoing message (OGM) which has a DISA floating extension number.

13.3.1 PBX Configuration—[5-3-1] Optional Device—Voice Message—DISA System—◆ DISA Intercept—Intercept when destination through DISA sets DND

DISA Intercept Routing—No Answer

If a destination is not available to answer a DISA call within a preprogrammed time period (DISA Intercept time) after the call is reached, the call will be redirected to the programmed destination by the Intercept feature.

If the intercept destination is not available to answer the call within a preprogrammed time period (DISA Disconnect Time after Intercept) after the DISA Intercept time expires, the call will be disconnected.

10.3 PBX Configuration—[2-3] System—Timers & Counters—DISA / Door / Reminder / U. Conf

→ ◆ DISA—Intercept Timer—Day, Lunch, Break, Night

→ ◆ DISA—Disconnect Timer after Intercept

→ 12.1.1 PBX Configuration—[4-1-1] Extension—Wired Extension—Extension Settings—Intercept Destination—◆ Intercept Destination—When called party does not answer—Day, Lunch, Break, Night

→ 12.2.1 PBX Configuration—[4-2-1] Extension—Portable Station—Extension Settings—Intercept Destination—◆ Intercept Destination—When called party does not answer—Day, Lunch, Break, Night

Walking COS Through DISA

If the caller performs Walking COS (extension number and PIN entry) while hearing a DISA message, the security mode can be temporarily changed to No Security mode (→ 22.1.1 Walking COS). After performing Walking COS, the following features are available, using the settings of the specified extension:

- Intercom call
- TIE line call
- CO line call
- Call Forwarding (FWD)/Do Not Disturb (DND) setting (→ 5.1.11 DND (Do Not Disturb), → 7.1.6 FWD (Call Forwarding))
- Incoming Call Distribution Group Log-in/Log-out (→ 10.1.3 ICD Group Features—Log-in/Log-out)
- Absent Message setting (→ 2.1.1 Absent Message)
- Extension Dial Lock (→ 6.1.6 Extension Dial Lock)
- Time Service Switching Mode (→ 19.1.3 Time Service)

Note

When making a CO line call using Walking COS through DISA, the CLIP number for that call will be that of the extension seized by Walking COS. (→ 4.1.15 CLIP (Calling Line Identification Presentation))

DISA Automatic Walking COS

Registered outside destinations such as cellular phones can be automatically recognized as PBX extensions when calling through DISA. When the Caller ID of a received CO line call matches an entry in the System Speed Dialing Table, the calling telephone is given Walking COS authorization as assigned to the corresponding CLI destination extension. Therefore, the "CLI destination" setting in the System Speed Dialing Table is used here to specify the target extension that the calling telephone will be recognized as for Walking COS.

[Programming Example of DIL Table]

CO Line No.	CLI			DIL Destination		
	Day	Lunch	...	Day	Lunch	...
01	Disable	Disable	...	536 (DISA)	536 (DISA)	...
:	:	:	:	:	:	:

"CLI" must be set to Disable, to allow incoming calls to be received by DISA.

18.2 PBX Configuration—[10-2] CO & Incoming Call—DIL Table & Port Settings

→ DIL—◆ DIL Destination—Day, Lunch, Break, Night

→ CLI for DIL—◆ CLI Ring for DIL—Day, Lunch, Break, Night

[Programming Example of System Speed Dialing Table]

Location	Name	CO Line Access + Telephone Number	CLI Destination
000	J. Smith	912341115678	200
001	:	:	:
:	:	:	:

14.1 PBX Configuration—[6-1] Feature—System Speed Dial

→ ◆ CO Line Access Number + Telephone Number

→ ◆ CLI Destination

In this example, calls received on CO line 01 are routed to the DISA OGM with floating extension number 536. If the number of the received call (after modification according to the Caller ID table) is "1-234-111-5678", the call originator is recognized as extension 200, and the Walking COS feature is automatically activated. System programming is required to enable this feature.

SMDR

The call information for DISA is recorded as the one of the DISA floating extension numbers. (→ 18.1.4 SMDR (Station Message Detail Recording))

Conditions

CAUTION

There is a risk that fraudulent telephone calls will be made using the CO-to-CO Line Call feature of DISA. The cost of such calls will be billed to the owner/renter of the PBX.

To protect the PBX from this kind of fraudulent use, we strongly recommend:

- a. Enabling DISA security (CO Line Security or All Security).
- b. Keeping passwords (verification code PINs/extension PINs) secret.
- c. Selecting complex, random PINs that cannot be easily guessed.
- d. Changing PINs regularly.
- **DISA Delayed Answer Time**
It is possible to set the Delayed Answer time so that the caller will hear a ringback tone within a preprogrammed time period first before hearing an outgoing message (OGM).
10.3 PBX Configuration—[2-3] System—Timers & Counters—Dial / IRNA / Recall / Tone—◆
Recall—Hold Recall
- **Call Retry**

While hearing a ringback, reorder, or busy tone, retrying the call is possible by pressing "*". System programming selects whether pressing "*" during a CO-to-CO line conversation returns to the DISA top menu or sends a DTMF tone.

- **DISA Mute Time**

It is possible to set the Mute time until the outgoing message (OGM) plays and the PBX starts to receive the DTMF signaling after the caller reaches the DISA line.

10.3 PBX Configuration—[2-3] System—Timers & Counters—DISA / Door / Reminder / U. Conf—◆
DISA—Mute & OGM Start Timer after answering

- **End of Call Detection**

If a call through DISA is routed to a CO line, DISA can be used to detect the end of the call. This function can be disabled through system programming. If disabled, DISA is released when the CO-to-CO line connection is made.

14.1 PBX Configuration—[6-1] Feature—System Speed Dial

→ ◆ CO Line Access Number + Telephone Number

→ ◆ CLI Destination

The following three types of tone detection can be enabled for each trunk group to disconnect a CO-to-CO line call via DISA.

- Silence Detection

→ 11.1.1 PBX Configuration—[3-1-1] Group—Trunk Group—TRG Settings—Tone Detection—◆
DISA Tone Detection—Silence

- Continuous Signal Detection

→ 11.1.1 PBX Configuration—[3-1-1] Group—Trunk Group—TRG Settings—Tone Detection—◆
DISA Tone Detection—Continuous

- Cyclic Signal Detection

→ 11.1.1 PBX Configuration—[3-1-1] Group—Trunk Group—TRG Settings—Tone Detection—◆
DISA Tone Detection—Cyclic

- **CO-to-CO Line Call Duration Limitation**

For a call between two outside parties, even if end of call detection cannot be performed, the call can be disconnected by a system timer (→ 4.1.17 CO Line Call Limitation). If the timer expires, the line will be disconnected unless the originating caller extends the time by sending any DTMF signaling. The caller can prolong the call duration within the preprogrammed time period and preprogrammed number of times.

10.3 PBX Configuration—[2-3] System—Timers & Counters—DISA / Door / Reminder / U. Conf

→ ◆ DISA—CO-to-CO Call Prolong Counter

→ ◆ DISA—CO-to-CO Call Prolong Time

- **Automatic DISA Activation**

DISA can be set through system programming to automatically activate for the following types of CO-to-CO line calls, to enable detection of the end of the call.

- When a CO line call is forwarded to another CO line

- When a CO line call is transferred to another CO line

- When a CO line call to an incoming call distribution group is answered by an outside destination member

13.3.1 PBX Configuration—[5-3-1] Optional Device—Voice Message—DISA System

→ ◆ CO-CO with DISA—Fwd/Transfer to Public CO

→ ◆ CO-CO with DISA—Fwd/Transfer to Private Network

Before the call is made, the PBX confirms that a DISA port is available. If no DISA ports are available, the call is not routed to a CO line. For transferred calls or calls to an ICD Group, if the DISA port has become unavailable when the CO-to-CO line conversation is actually established, the call is established without DISA.

When using this feature, the CO-to-CO Line Call Limitation timer should be enabled. In addition, prolonging the call through DTMF signaling is not available.

- **DISA Call Transfer from Outside Destination**

An outside party such as a cellular phone can transfer a CO line call to an extension at the PBX by pressing "#" + extension number, if DISA is connected by the Automatic DISA Activation feature. This feature can

be enabled or disabled through system programming. It is also possible to establish a Conference call (→ 4.1.18 Conference), perform Call Splitting (→ 4.1.9 Call Splitting), and page with a call on hold to transfer the call (→ 15.1.1 Paging).

13.3.1 PBX Configuration—[5-3-1] Optional Device—Voice Message—DISA System

- ◆ CO-CO with DISA—Transfer by DTMF "#" (Activation Key Required)
- ◆ CO-CO with DISA—Return to DISA Top Menu by DTMF "*"
 - DISA security mode should be set to No Security or CO Line Security.
 - If the called extension does not answer, is busy, or is in DND mode, the DISA Intercept feature operates.
 - The party on hold can use the Call Retry feature.
 - End of Call Detection does not operate after dialing "#".
 - Calls can only be transferred to extensions (not including floating extensions) within the PBX. If the transferred call is forwarded to another outside destination, COS settings are ignored.
 - If the call is transferred to an ICD group, the call will wait in a queue until answered, but the Queuing Time Table will not function.
 - When using this feature, do not use the Executive Busy Override feature to interrupt the established call.

- **DISA Reorder Tone Duration**

It is possible to set the DISA Reorder Tone Duration time. This specifies the length of time that a reorder tone will be sent to the caller. When the timer expires, the call will be disconnected. Call Retry is possible during the DISA Reorder Tone Duration time.

- 10.3 PBX Configuration—[2-3] System—Timers & Counters—DISA / Door / Reminder / U. Conf—◆ DISA—Reorder Tone Duration

- **Call Deny**

Extensions can deny DISA calls on a COS basis.

- 10.7.1 PBX Configuration—[2-7-1] System—Class of Service—COS Settings—Optional Device & Other Extensions—◆ Accept the Call from DISA

- **Verification Code PIN Lock/Extension PIN Lock**

If the wrong PIN is entered three times, the line will be disconnected. If the wrong PIN is entered a preprogrammed number of times successively, that extension or verification code will become locked, and even entering the correct PIN will not unlock it. Only an extension assigned as the manager can unlock it. In this case, the PIN will be unlocked and cleared.

- 10.3 PBX Configuration—[2-3] System—Timers & Counters—Miscellaneous—◆ Extension PIN—Lock Counter

- **DISA Automatic Walking COS**

KX-NSE101, KX-NSE105, KX-NSE110 or KX-NSE120 (Activation Key for Mobile Extension) is required to use this feature. One activation key is required for each extension that will use this feature.

- Each outgoing message (OGM) can be assigned a name through system programming for programming reference.

- 13.3.2 PBX Configuration—[5-3-2] Optional Device—Voice Message—DISA Message—◆ Name

PC Programming Manual References

2.1.4 Easy Setup Wizard—PBX Setting—Select the default value of Numbering Plan

10.3 PBX Configuration—[2-3] System—Timers & Counters—DISA / Door / Reminder / U. Conf

- ◆ DISA—Delayed Answer Timer
- ◆ DISA—Mute & OGM Start Timer after answering
- ◆ DISA—No Dial Intercept Timer
- ◆ DISA—2nd Dial Timer for AA
- ◆ DISA—Intercept Timer—Day, Lunch, Break, Night
- ◆ DISA—Disconnect Timer after Intercept
- ◆ DISA—CO-to-CO Call Prolong Counter
- ◆ DISA—CO-to-CO Call Prolong Time
- ◆ DISA—Progress Tone Continuation Time before Recording Message

- ◆ DISA—Reorder Tone Duration
- 10.3 PBX Configuration—[2-3] System—Timers & Counters—Miscellaneous—◆ Extension PIN—Lock Counter
- 10.7.1 PBX Configuration—[2-7-1] System—Class of Service—COS Settings—Optional Device & Other Extensions—◆ Accept the Call from DISA
- 11.1.1 PBX Configuration—[3-1-1] Group—Trunk Group—TRG Settings
 - Tone Detection—◆ DISA Tone Detection—Silence
 - Tone Detection—◆ DISA Tone Detection—Continuous
 - Tone Detection—◆ DISA Tone Detection—Cyclic
- 12.1.1 PBX Configuration—[4-1-1] Extension—Wired Extension—Extension Settings—Intercept Destination—◆ Intercept Destination—When called party does not answer—Day, Lunch, Break, Night
- 12.2.1 PBX Configuration—[4-2-1] Extension—Portable Station—Extension Settings—Intercept Destination—◆ Intercept Destination—When called party does not answer—Day, Lunch, Break, Night
- 13.3.1 PBX Configuration—[5-3-1] Optional Device—Voice Message—DISA System
- 13.3.2 PBX Configuration—[5-3-2] Optional Device—Voice Message—DISA Message
- 14.1 PBX Configuration—[6-1] Feature—System Speed Dial
 - ◆ CO Line Access Number + Telephone Number
 - ◆ CLI Destination
- 18.2 PBX Configuration—[10-2] CO & Incoming Call—DIL Table & Port Settings
 - DIL—◆ DIL Destination—Day, Lunch, Break, Night
 - CLI for DIL—◆ CLI Ring for DIL—Day, Lunch, Break, Night

Feature Manual References

- 4.1.22 COS (Class of Service)
- 5.1.11 DND (Do Not Disturb)
- 7.1.5 Floating Extension
- 7.1.6 FWD (Call Forwarding)
- 10.1.11 Intercept Routing
- 10.1.12 Intercept Routing—No Destination

Operating Manual References

- 1.3.19 DISA (Direct Inward System Access)
- 1.3.73 Walking COS

5.1.10 Display Information

Description

A display proprietary telephone (PT) can relay the following information to the user while making or receiving calls:

Display Item	Display Example	Condition
The extension number and name of the calling or called extension, or Incoming Call Distribution (ICD) Group	123: Tom Smith	–
Status of the called extension	123: Busy	–
The number and name of the optional device	D02: 1st Door	–
The telephone number dialed	1234567890	–

Display Item	Display Example	Condition
The received call information a. Caller's name b. Caller's number c. CO line number/name d. Original Destination, if the call is forwarded e. DID name	ABC Company 12345678 Line 001: Sales →102:Mike Panasonic*	The first line message can be either (a), (c), or (e) at each extension through system programming. These can be displayed in turn by pressing the TRANSFER button or DISP Soft button during a call.
Duration of the current CO line call	Line 001 11:02'28	—

Conditions

- **Multilingual Display**
Each extension can select its display language through personal programming (Display Language Selection).
- **Display Contrast**
The display contrast can be adjusted through personal programming (Display Contrast Selection). This is available only for digital proprietary telephones (DPTs) and IP proprietary telephones (IP-PTs).
- **Display Backlight**
Some extensions can select whether to turn the display backlight on or off through personal programming (Display Backlight Selection). For details, refer to the manual for your telephone.
- Characters (name) or digits (number) exceeding the display's limitations are not displayed. Although in this case information may not be displayed properly, the received information is not altered.

PC Programming Manual References

- 10.9 PBX Configuration—[2-9] System—System Options—Option 5—◆ PT Feature Access—No. 1–8
- 12.1.1 PBX Configuration—[4-1-1] Extension—Wired Extension—Extension Settings
 - Option 5—◆ Display Language
 - Option 5—◆ Incoming Call Display
 - Option 5—◆ Automatic LCD Switch when Start Talking
- 12.2.1 PBX Configuration—[4-2-1] Extension—Portable Station—Extension Settings
 - Option 5—◆ Display Language
 - Option 5—◆ Incoming Call Display
 - Option 5—◆ Automatic LCD Switch when Start Talking
- 18.1 PBX Configuration—[10-1] CO & Incoming Call—CO Line Settings—◆ CO Name

Operating Manual References

- 3.1.2 Personal Programming

5.1.11 DND (Do Not Disturb)

Description

An extension user can make use of the DND feature. If this feature is set, calls will not arrive at the extension, but will arrive at another extension using the Idle Extension Hunting feature (→ 10.1.9 Idle Extension Hunting) or the Intercept Routing—Busy/DND feature (→ 10.1.11 Intercept Routing). When a destination

cannot be found, the calling extension will hear the DND tone, while the calling outside party will hear a busy tone.

Conditions

- **DND for CO Line Calls/Intercom Calls**
The DND feature can be set for CO line calls, for intercom calls, or for both of them by the extension user.
- **DSS button in DND Mode**
The DSS button light will turn red if the assigned extension has set DND.
- **DND Override**
An extension in DND mode can be called by other extension users who are allowed to override DND in their COS.
- **Paging DND**
It is programmable whether the PBX pages extensions in DND mode through system programming. (→ 15.1.1 Paging)
- **Intercept Routing—Busy/DND**
If a call arrives at an extension in DND mode, the call can be redirected to a preprogrammed destination by the Intercept Routing—Busy/DND feature.
- **Idle Extension Hunting**
While searching for an idle extension within an idle extension hunting group, any extension that has DND set will be skipped. The call will go to the next extension in the group, not the Intercept Routing—Busy/DND destination.
- If (1) a CO line call via the ELCOT/LCOT or T1 (LCOT) card arrives at an extension in DND mode and (2) the Intercept Routing—Busy/DND destination is not available and (3) there is no available extension in the idle extension hunting group, then the original extension in DND mode will ring.
- Calls from a doorphone arrive at the extension even when the extension is in DND mode.

PC Programming Manual References

- 10.3 PBX Configuration—[2-3] System—Timers & Counters—Dial / IRNA / Recall / Tone—◆ Tone Length—Busy Tone / DND Tone
- 10.6.3 PBX Configuration—[2-6-3] System—Numbering Plan—B/NA DND Call Feature
 - ◆ BSS / OHCA / Whisper OHCA / DND Override
 - ◆ BSS / OHCA / Whisper OHCA / DND Override-2
- 10.7.1 PBX Configuration—[2-7-1] System—Class of Service—COS Settings—Assistant—◆ DND Override
- 12.1.1 PBX Configuration—[4-1-1] Extension—Wired Extension—Extension Settings—FWD / DND
- 12.1.2 PBX Configuration—[4-1-2] Extension—Wired Extension—FWD/DND
- 12.2.1 PBX Configuration—[4-2-1] Extension—Portable Station—Extension Settings—FWD / DND
- 12.2.2 PBX Configuration—[4-2-2] Extension—Portable Station—FWD/DND

Feature Manual References

- 4.1.22 COS (Class of Service)

Operating Manual References

- 1.3.20 DND (Do Not Disturb)

5.1.12 Door Open

Description

Using an extension telephone, an extension user can unlock a door for a visitor. The door can be unlocked by extension users who are allowed to unlock the door in Class of Service (COS) programming. While engaged on a doorphone call, any extension user can unlock the door to let the visitor in. (→ 5.1.13 Doorphone Call)

Conditions

- **Hardware Requirement:**
A user-supplied door opener installed on each door, and a DOORPHONE card.
To connect a door opener to a legacy gateway (→ 18.1.9 Stacking Connection), refer to the documentation of the legacy gateway.
- A door opener can unlock a door even if no doorphone is installed.
- **Door Open Duration**
An opened door will remain unlocked for a preprogrammed length of time.
If the door opener is a type that locks automatically when the door is closed, it is recommended that Door Open Duration be set to 2 seconds.

Installation Manual References

- 4.7.1 DOORPHONE Card (KX-NS0161)
- 4.9 Connecting to a Doorphone, Door Opener, and/or External Sensor

PC Programming Manual References

- 9.29 PBX Configuration—[1-1] Configuration—Slot—DOORPHONE Card—Card Property—◆ For Output - Device Type
- 10.3 PBX Configuration—[2-3] System—Timers & Counters—DISA / Door / Reminder / U. Conf—◆ Doorphone—Open Duration
- 10.6.1 PBX Configuration—[2-6-1] System—Numbering Plan—Main—Features—◆ Door Open
- 10.7.1 PBX Configuration—[2-7-1] System—Class of Service—COS Settings—Optional Device & Other Extensions—◆ Door Unlock

Feature Manual References

- 4.1.22 COS (Class of Service)

Operating Manual References

- 1.3.21 Door Open

5.1.13 Doorphone Call

Description

A visitor can use a doorphone to call its preprogrammed destination. Extension users can call a doorphone.

Conditions

- **Hardware Requirement:**
An optional doorphone and a DOORPHONE card
To connect a doorphone to a legacy gateway (→ 18.1.9 Stacking Connection), refer to the documentation of the legacy gateway.
- **Call Destination**
The destination of doorphone calls can be assigned to each doorphone port for each time mode. The Time Table is determined by the tenant number assigned to each doorphone port. (→ 19.1.3 Time Service)
DISA cannot be the destination for doorphone calls.
- Class of Service (COS) programming determines the doorphone ports that are able to make an outgoing CO line call.
- Internal Call Block determines which extensions can call a doorphone. (→ 10.1.14 Internal Call Block)
- **Ring Duration**
If an incoming doorphone call is not answered within a preprogrammed time period, ringing stops and the call is canceled.
- **Call Duration**
The duration of doorphone calls can be restricted by a system timer. If the timer expires, the call will be disconnected.
- **Door Open**
While engaged on a doorphone call, an extension user can unlock the door to let the visitor in. (→ 5.1.12 Door Open)
- A doorphone number can be referenced for each doorphone port.
- **For KX-UT670 users**
The video feed from a network camera can be displayed on the telephone's display when a call from a doorphone is received if the following settings are configured on the telephone:
 - The doorphone's 2-digit number is registered to a contact, and **Doorphone** is selected as the number's label.
 - The network camera is registered to the contact.For details about the settings, refer to the telephone's documentation.

Installation Manual References

- 4.7.1 DOORPHONE Card (KX-NS0161)
- 4.9 Connecting to a Doorphone, Door Opener, and/or External Sensor

PC Programming Manual References

- 10.3 PBX Configuration—[2-3] System—Timers & Counters—DISA / Door / Reminder / U. Conf
 - ◆ Doorphone—Call Ring Duration
 - ◆ Doorphone—Call Duration
- 10.6.1 PBX Configuration—[2-6-1] System—Numbering Plan—Main—Features—◆ DOORPHONE Call
- 10.7.1 PBX Configuration—[2-7-1] System—Class of Service—COS Settings—TRS—◆ TRS Level—Day, Lunch, Break, Night
- 10.8.2 PBX Configuration—[2-8-2] System—Ring Tone Patterns—Call from DOORPHONE
- 10.9 PBX Configuration—[2-9] System—System Options—Option 3—◆ Confirmation Tone—Tone 1 : Called by Voice
- 13.1 PBX Configuration—[5-1] Optional Device—Doorphone

Operating Manual References

- 1.3.22 Doorphone Call

5.1.14 DSP Resource Advisor

Description

Web Maintenance Console provides a tool for calculating the number of resources required for a given set of operating conditions. The Web Maintenance Console user provides information such as the number of ports for a given resource (e.g., 16 extension ports using the G.729 codec) and the expected usage load (e.g., 50% busy), and the resource advisor calculates the number of DSP resources required to meet those conditions. This tool can be used in offline mode to simulate various PBX configurations and usage cases to help determine the number and size of DSP cards required.

This tool will also recommend which and how many resources to reserve for various features (→ 5.1.15 DSP Resource Reservation). The recommended settings can be applied immediately from the resource advisor tool.

The resource usage can be calculated using the following types of services and features:

Service/Feature	DSP Resources per Unit
CO line using G.729 codec	2.2
CO line using G.711 codec	1
Non-IP CO line (ISDN CO line, analog CO line, etc.)	1
Extension using G.729 codec	2.2
Extension using G.711 codec	1
IP-CS extension using G.729 codec	2.2
IP-CS extension using G.711 codec	1
Unified Messaging ^{*1}	1.3
Two-way recording ^{*1*2}	2.3
OGM ^{*1}	2
Conference CO line ^{*1}	0.5

^{*1} The DSP costs of the extensions/CO lines involved in the operation are not included in the per-unit DSP resource count.

^{*2} Two-way recording also requires a conference CO line. For an example of the required DSP resources, see 5.1.16 DSP Resource Usage.

Example 1: Small Office

In a small office (e.g., 32 employees), the necessary number of CO lines and extensions is likely to be relatively small. In addition, the expected load on the system will also be small.

(For clarity, unused services are not included in the table.)

Service	Number of Ports	Load (Busy Ratio %)	DSP Cost ^{*1}
CO line using G.729 codec	3	5%	0.3
Non-IP CO line	1	5%	0.05
Extension using G.729 codec	32	10%	7.0
Unified Messaging	4	—	5.2
OGM	2	—	4.0
Conference	4	—	2.0

Service	Number of Ports	Load (Busy Ratio %)	DSP Cost ^{*1}
Total DSP Cost			18.55

*1 DSP Cost = Number of Ports × Resource cost per port (unit) × Load

In the example above, the total DSP cost is 18.55. In such an environment, a PBX with a DSP S card (max. 63 DSP resources) would be sufficient.

Example 2: Call Center

In a call center, both the number of CO lines and number of extensions are likely to be very high. Also, since employees are constantly receiving calls, the system load will be high. Furthermore, calls are often recorded at call centers to provide quality-of-service monitoring.

Service	Number of Ports	Load (Busy Ratio %)	DSP Cost ^{*1}
CO line using G.729 codec	8	50%	8.8
CO line using G.711 codec	128	80%	102.4
Extension using G.729 codec	32	50%	35.2
Extension using G.711 codec	128	80%	102.4
IP-CS using G.729 codec	8	50%	8.8
Unified Messaging	8	—	10.4
Two-way recording	4	—	9.2
OGM	4	—	8.0
Conference	12	—	6.0
Total DSP Cost			291.2

*1 DSP Cost = Number of Ports × Resource cost per port (unit) × Load

In this example, the total DSP cost is 291.2. In this case, two DSP cards are necessary: at minimum one DSP L card (max. 254 DSP resources) and one DSP S card (max. 63 DSP resources).

Conditions

- Calls that are established via P2P (→ 15.1.5 Peer-to-Peer (P2P) Connection) do not use the PBX's DSP resources, so they may be excluded from the usage calculation.
- **One-look Networking** (→ 14.1.4 One-look Network)
Since DSP resources are not shared between PBXs, the resource advisor should be used to calculate the resource usage for each PBX individually.

PC Programming Manual References

9.33 PBX Configuration—[1-5] Configuration—DSP Resource

5.1.15 DSP Resource Reservation

Description

A number of resources can be reserved for particular features or services to guarantee a minimum level of service. Resources reserved for a particular service (e.g., conferencing) cannot be used for another service (e.g., Unified Messaging).

For example, one may want to reserve resources for OGM (Outgoing Message) to ensure that recorded messages can be played to incoming calls.

The resources can be reserved for the following types of services:

- VoIP (G.711)
- Conference CO line
- Unified Messaging
- Two-way Recording
- OGM

Note

It is not necessary to reserve resources for a feature to use it. In normal operation, free DSP resources are allocated on a first-come first-serve basis. Resources should be reserved only if a minimum level of performance is required for your system.

For example, reserving resources for Two-way Recording (→ 20.1.9 Unified Messaging—Automatic Two-way Recording for Manager, → 20.1.90 Unified Messaging—Two-way Record/Two-way Transfer) also reserves UM ports. This can have the unintended effect of blocking access to the Unified Messaging system even when no recording is being performed. Therefore, resources for Two-way Recording should be reserved only if it is necessary to guarantee that Two-way Recording can be performed.

(→ 20.1.2 UNIFIED MESSAGING FEATURES)

Resource Reservation Example

The following table shows the number and types of resources that must be reserved for a given workload. To calculate the number of free (i.e., non-reserved) resources, a DSP M card (127 DSP resources) is assumed.

Service	Minimum performance ¹	Resources per unit of performance	No. of required DSP resources
VoIP call (G.711)	40 calls	1	40
Unified Messaging ²	5 operations	1.3	6.5
Two-way recording	3 recordings	2.3	6.9
OGM	10 playbacks	2	20
Conference CO line	10 conferences	0.5	5
Unified Messaging tone ³	2 tones	2	2
Total Reserved Resources			80.4
Free Resources⁴			47

¹ Minimum performance refers to the minimum number of simultaneous operations.

² Unified Messaging operations include operations such as users (subscribers) accessing their mailboxes and outside callers leaving messages in subscribers' mailboxes.

³ The resources for Unified Messaging tones (used for Two-way Recording) are reserved automatically and cannot be released.

⁴ Free Resources = DSP capacity – Total Reserved Resources, rounded to the nearest whole number.

If the PBX's resources are reserved as shown in the example above, the resources required to meet the numbers of operations listed in the "Minimum performance" column are guaranteed to be available. Note, however, that for an operation such as a conference call, DSP resources are required for each individual

conference party in addition to the resources required for the conference CO line itself. Therefore, if all 40 VoIP units as well as all free resources are being used, a new conference call cannot be established, even if sufficient conference resources are available.

Conditions

- **One-look Networking** (→ 14.1.4 One-look Network)
Resources are reserved individually for each PBX.
- The total number of resources provided by each type of DSP card is as follows:
 - DSP S card: 63
 - DSP M card: 127
 - DSP L card: 254

PC Programming Manual References

9.33 PBX Configuration—[1-5] Configuration—DSP Resource

5.1.16 DSP Resource Usage

Description

To digitally process audio signals, such as a telephone call, the PBX must use a certain number of DSP (Digital Signal Processing) resources. DSP resources are provided by the DSP cards installed in the PBX. Since there are a limited number of DSP resources, no further operations (e.g., telephone calls, playing an OGM) can be performed if all resources are being used.

The following list shows some of the basic operations that require DSP resources.

- IP extension call
- IP CO line call
- Conference
- Accessing the Unified Messaging system (including recording calls)
- OGM playback
- Echo canceller (for CO line-to-CO line analog calls)

For IP extension and CO line calls, the number of required resources differs depending on the codec (G.711 or G.729) used.

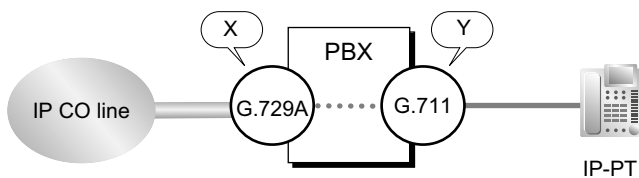
Note

The examples in this section are intended to illustrate the concept of DSP resource usage. More complex situations may necessitate additional resources, and in some cases fewer resources may be necessary.

Examples of DSP resource usage

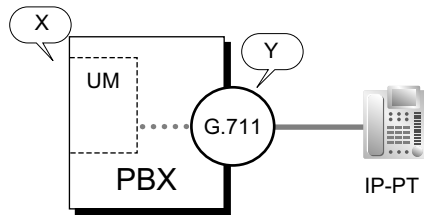
Fundamentally, the number of resources required for a given situation is the sum of the resources required for each individual operation. The following examples illustrate DSP resource usage in various situations.

[IP CO line to IP extension]



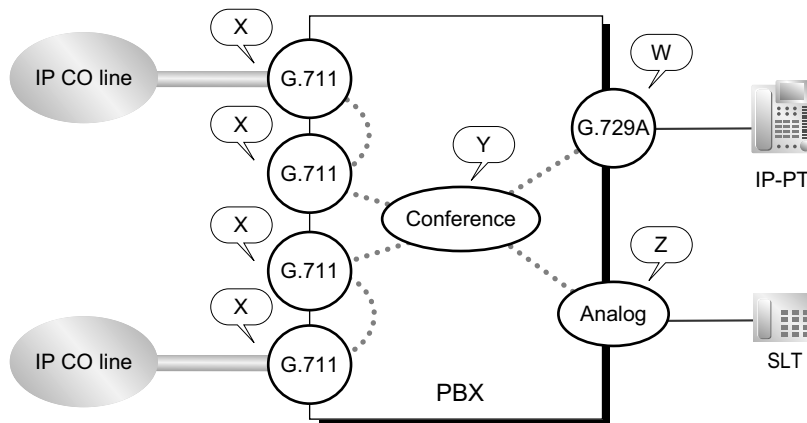
If an IP CO line call using the G.729 codec requires X number of resources, and an IP extension call using the G.711 codec requires Y number of resources, then the number of resources required for a call from an IP extension to an IP CO line requires X + Y number of resources.

[Unified Messaging access]



Playing back messages from or recording messages to the Unified Messaging (UM in the figure above) system requires DSP resources, X in this example, in addition to the resources required for the G.711 codec (Y). The total cost is X + Y.

[Conference call]



A conference requires additional resources, Y, for handling the multiple voice channels. Also, in standard two-way conversations, analog lines generally do not require any DSP resources, but in a conference they do. In addition, IP CO lines in a conference require additional DSP resources.

For this example, then, the number of required resources is $X + X + X + X + Y + Z + W$.

DSP usage graph

The PBX keeps a record of the maximum DSP usage per hour for each of the following features/services. A graph can then be displayed in Web Maintenance Console showing trends in DSP usage over time, as well as the number of calls and operations that could not be performed due to lack of resources.

- VoIP (IP CO line, IP extension and IP-CS usage)
- Conference
- Unified Messaging
- OGM
- Two-way recording

The graph also shows the amount of free resources and the total resource use.

Conditions

[General]

- Most internal VoIP calls require no resources because IP phones connect over a P2P connection (→ 15.1.5 Peer-to-Peer (P2P) Connection). That is, the phones themselves do the signal processing without consuming PBX resources. The PBX simply performs the initial connection.
- Telephones and CO lines connected via a legacy gateway (→ 18.1.9 Stacking Connection) use the same number of resources as analog telephones and CO lines connected directly to the PBX.
- **One-look Networking** (→ 14.1.4 One-look Network)
DSP resources are not shared between sites.

[DSP usage graph]

- The most recent 30 days of DSP usage is recorded.
- The scale of the graph can be set to 1-hour, 4-hour, or 24-hour intervals.
- **One-look Networking** (→ 14.1.4 One-look Network)
The data for all PBXs are stored on the Master unit.

Installation Manual References

- 2.3.3 System Capacity—DSP Resources
- 4.3.3 DSP S Card (KX-NS0110), DSP M Card (KX-NS0111), DSP L Card (KX-NS0112)

PC Programming Manual References

- 9.4 PBX Configuration—[1-1] Configuration—Slot—System Property—Main
 - ◆ DSP CODEC G.711 only (SIP extension)
 - ◆ DSP CODEC G.711 only (IP-GW)
 - ◆ DSP CODEC Priority-1 value only (others)
- 9.4 PBX Configuration—[1-1] Configuration—Slot—System Property—GW Settings—Option 1—◆ IP Codec Priority—1st, 2nd, 3rd
- 9.12 PBX Configuration—[1-1] Configuration—Slot—V-IPGW16—Shelf Property
 - ◆ Voice Codec Priority 1st
 - ◆ Voice Codec Priority 2nd
 - ◆ Voice Codec Priority 3rd
- 9.11 PBX Configuration—[1-1] Configuration—Slot—V-SIPGW—Port Property—Voice/FAX—◆ IP Codec Priority—1st, 2nd, 3rd
- 9.15 PBX Configuration—[1-1] Configuration—Slot—V-IPEXT32—Port Property—Option—◆ IP Codec Priority
- 9.19 PBX Configuration—[1-1] Configuration—Slot—V-IPCS4—Port Property—Option—◆ IP Codec Priority
- 9.33 PBX Configuration—[1-5] Configuration—DSP Resource

Feature Manual References

- 4.1.18 Conference
- 10.1.15 IP-PT (IP Proprietary Telephone)
- 14.1.2 OGM (Outgoing Message)
- 18.1.2 SIP (Session Initiation Protocol) Extension
- 20.1.2 UNIFIED MESSAGING FEATURES
- 20.1.9 Unified Messaging—Automatic Two-way Recording for Manager
- 20.1.90 Unified Messaging—Two-way Record/Two-way Transfer

Section 6

Features and Configurations—E

6.1 E

6.1.1 EFA (External Feature Access)

Description

Normally, an extension user can only access features within the PBX. However, when performing External Feature Access (EFA) the extension user performs features outside of the PBX, such as using the transfer services of the telephone company or host PBX. When EFA is performed, the PBX sends a flash/recall signal to the telephone company or the host PBX (→ 9.1.5 Host PBX Access Code (Access Code to the Telephone Company from a Host PBX)).

This feature is only available on CO line calls.

This feature is performed by pressing the EFA button or the FLASH/RECALL button that is set to EFA mode (→ 7.1.2 Flash/Recall/Terminate).

Conditions

- **Flash/Recall Time**
The Flash/Recall time can be assigned for each CO line port.
- **EFA Button**
A flexible button can be customized as the EFA button.
- It is possible to perform this feature by entering the feature number while the current call is placed on Consultation Hold (e.g., is going to be transferred to an extension of the host PBX).
(→ 4.1.21 Consultation Hold)

PC Programming Manual References

- 9.25 PBX Configuration—[1-1] Configuration—Slot—Port Property - LCO Port—◆ Flash Time
- 10.6.1 PBX Configuration—[2-6-1] System—Numbering Plan—Main—Features—◆ External Feature Access
- 12.1.1 PBX Configuration—[4-1-1] Extension—Wired Extension—Extension Settings—Option 7—◆ Flash Mode during CO Conversation
- 12.1.4 PBX Configuration—[4-1-4] Extension—Wired Extension—Flexible Button—◆ Type
- 12.2.1 PBX Configuration—[4-2-1] Extension—Portable Station—Extension Settings—Option 7—◆ Flash Mode during CO Conversation
- 12.2.3 PBX Configuration—[4-2-3] Extension—Portable Station—Flexible Button—◆ Type
- 15.5 PBX Configuration—[7-5] TRS—Miscellaneous—◆ TRS Check after EFA

Feature Manual References

- 7.1.3 Flexible Buttons

Operating Manual References

- 1.3.23 EFA (External Feature Access)

6.1.2 E-mail Notification for Extension Users

Description

An e-mail can be sent to extension users, notifying them of events such as when they receive a new voice message. Notifications can be sent for the following events:

- Missed CO line call
- New voice message
- New fax message

Conditions

- For extension users to receive notifications of new voice messages and/or faxes, they must have a mailbox assigned to their extensions. (→ Section 20 UM Configuration—[1] Mailbox Settings)
- For extension users to receive notifications of missed CO line calls, the following settings must be configured:
 - "Contact—Email 1–3" in 8.2.1 Users—Add User—Single User
 - "Email Notification" in 8.2.1 Users—Add User—Single User
- To send e-mail notifications, the SMTP server settings must be configured.
- Up to 3 e-mail addresses can be registered for each extension user.

PC Programming Manual References

8.2 Users—Add User

20.1.2 UM Configuration—[1-2] Mailbox Settings—Full Setting—Notification Parameters—◆ E-mail/Text Message Device—Device No. 1, 2, 3—E-mail Address

27.2.5 Network Service—[2-6] Server Feature—SMTP

Feature Manual References

20.1.58 Unified Messaging—Message Waiting Notification—E-mail Device

Operating Manual References

3.2.1 User Programming—Changing E-mail Notification Settings

6.1.3 E-mail Notification of System-level Events

Description

An e-mail can be sent to administrators or other specified e-mail addresses when certain system-level events occur. Notifications can be sent for the following events:

Event	Details
System alarm	An e-mail is sent to users registered as an administrator, and to up to two additional e-mail addresses.
Software update	<p>Notifications can be sent for the following four types of software update events:</p> <ol style="list-style-type: none"> 1. A software update has become available on the update FTP server. 2. A software update has been downloaded from the update FTP server. 3. A software update has been successfully installed. 4. A software license is about to expire.

Conditions

- To send e-mail notifications, the SMTP server settings must be configured.
- The system name in the e-mail notification can be configured through system programming.
→ 27.3.3 Network Service—[3-3] Client Feature—SNMP Agent—◆ MIB info—SysName

PC Programming Manual References

- 5.1 System Control—Program Update
- 7.7 Utility—Email Notification
- 8.2 Users—Add User
- 27.2.5 Network Service—[2-6] Server Feature—SMTP

Feature Manual References

- 20.1.97 Upgrading the Software

6.1.4 Emergency Call

Description

An extension user can dial preprogrammed emergency numbers after seizing a CO line regardless of the restrictions imposed on the extension.

Conditions

- A specified number of emergency numbers can be stored.
- Emergency numbers may be called, regardless of Toll Restriction (TRS) level (→ 19.1.5 TRS (Toll Restriction)), even when:
 - in Account Code—Forced mode (→ 2.1.2 Account Code Entry)
 - in Extension Dial Lock (→ 6.1.6 Extension Dial Lock)
- **CLIP Number Notification**
 When dialing an emergency number, the preassigned CLIP number for the extension will be sent as a location identification number. (→ 4.1.15 CLIP (Calling Line Identification Presentation))
 The CLIP number assigned to the extension will be sent regardless of the settings such as CLIR or CLIP number assigned to an ISDN port to be used. This feature is only available when using a PRI line, with E911-compatible services.

PC Programming Manual References

15.4 PBX Configuration—[7-4] TRS—Emergency Dial

Feature Manual References

23.1 Capacity of System Resources

6.1.5 Executive Busy Override

Description

Allows an extension user to interrupt an existing call to establish a three-party conference call.

Executive Busy Override Deny

It is possible for extension users to prevent their calls from being interrupted by another extension user.

Conditions

- Class of Service (COS) programming determines the extension users who can use Executive Busy Override and set Executive Busy Override Deny.
- This feature will not function when the busy extension:
 - a. Has set Executive Busy Override Deny or Data Line Security (→ 5.1.1 Data Line Security).
 - b. Is being monitored by another extension (→ 4.1.6 Call Monitor).
 - c. Is receiving OHCA (→ 14.1.3 OHCA (Off-hook Call Announcement), → 22.1.4 Whisper OHCA).
 - d. Is on a conference call (→ 4.1.18 Conference, → 15.1.11 Privacy Release).
 - e. Is on a doorphone call (→ 5.1.13 Doorphone Call).
 - f. Is using Live Call Screening (LCS) or Two-way Record (→ 20.1.51 Unified Messaging—Live Call Screening (LCS), → 20.1.90 Unified Messaging—Two-way Record/Two-way Transfer).
 - g. Has a call on consultation hold (→ 5.1.9 DISA (Direct Inward System Access)).

- This feature is not available for a CO-to-CO line call via Direct Inward System Access (DISA).

PC Programming Manual References

- 10.6.1 PBX Configuration—[2-6-1] System—Numbering Plan—Main—Features—◆ Executive Override Deny Set / Cancel
- 10.6.3 PBX Configuration—[2-6-3] System—Numbering Plan—B/NA DND Call Feature—◆ Executive Busy Override
- 10.7.1 PBX Configuration—[2-7-1] System—Class of Service—COS Settings—Executive
 - ◆ Executive Busy Override
 - ◆ Executive Busy Override Deny
- 12.1.1 PBX Configuration—[4-1-1] Extension—Wired Extension—Extension Settings—Option 3—◆ Executive Override Deny
- 12.2.1 PBX Configuration—[4-2-1] Extension—Portable Station—Extension Settings—Option 3—◆ Executive Override Deny

Feature Manual References

- 4.1.22 COS (Class of Service)

Operating Manual References

- 1.3.24 Executive Busy Override

6.1.6 Extension Dial Lock

Description

An extension user can change the Toll Restriction (TRS) level of the telephone (→ 19.1.5 TRS (Toll Restriction)) so that other users cannot make inappropriate CO line calls. An extension personal identification number (PIN) is used to unlock the telephone (→ 6.1.8 Extension PIN (Personal Identification Number)). This feature is also known as Electronic Station Lockout.

Conditions

- This feature also restricts changing the Call Forward (FWD) destination. (→ 7.1.6 FWD (Call Forwarding))
- **Remote Extension Dial Lock**
Overrides Extension Dial Lock. If an extension assigned as the manager sets Remote Extension Dial Lock on an extension that has already been locked by the extension user, the user cannot unlock it. If a manager extension unlocks an extension that has been locked by the extension user, the extension will be unlocked. This feature is also known as Remote Station Lock Control.
- **TRS Level**
COS programming determines the TRS level for Extension Dial Lock.
- Other features can also temporarily change an extension's TRS level, similar to Extension Dial Lock. If an extension is locked, the TRS level determined by the following features takes priority. The numbers below (1 through 3) indicate the priority of each feature, with 1 having the highest priority, and 3 having the lowest.
 1. Dial Tone Transfer (→ 5.1.6 Dial Tone Transfer)
 2. TRS Override by System Speed Dialing (→ 19.1.5 TRS (Toll Restriction))
 3. Verification Code Entry/Walking COS (→ 21.1.1 Verification Code Entry, → 22.1.1 Walking COS)

PC Programming Manual References

10.6.1 PBX Configuration—[2-6-1] System—Numbering Plan—Main—Features

→◆ Extension Dial Lock Set / Cancel

→◆ Remote Extension Dial Lock Off

→◆ Remote Extension Dial Lock On

10.7.1 PBX Configuration—[2-7-1] System—Class of Service—COS Settings—TRS—◆ TRS Level on Extension Lock

Feature Manual References

4.1.22 COS (Class of Service)

Operating Manual References

1.3.25 Extension Dial Lock

4.1.2 Manager Programming

6.1.7 Extension Feature Clear

Description

Extension users can clear the following features set on their own telephone at once:

Features	After Setting
Absent Message	Off
BGM	Off
FWD ^{*1} /DND ^{*1}	Off
Call Pickup Deny	Allow
Call Waiting ^{*1}	Enable (Call Waiting tone)
Data Line Security	Off
Executive Busy Override Deny	Allow
Log-in/Log-out	Log-in
Message Waiting	All messages left by other extensions will be cleared.
Paging Deny	Allow
Hot Line ^{*1}	Off
Timed Reminder	Cleared

^{*1} These features can be programmed to not be canceled by Extension Feature Clear.

This feature is also known as Station Program Clear.

Conditions

- Extension Dial Lock (→ 6.1.6 Extension Dial Lock) and the extension personal identification number (PIN) (→ 6.1.8 Extension PIN (Personal Identification Number)) will not be cleared by this feature.
- **If dial tone 2 is heard after Extension Feature Clear:**
After performing Extension Feature Clear, Call Waiting will be enabled if "**Extension Clear: Call Waiting**" is set to "**Clear**" through system programming. In this case, dial tone 2 will be heard when going off-hook. (→ 5.1.5 Dial Tone)

PC Programming Manual References

- 10.6.1 PBX Configuration—[2-6-1] System—Numbering Plan—Main—Features—◆ Extension Feature Clear
- 10.9 PBX Configuration—[2-9] System—System Options—Option 2
 - ◆ Extension Clear—Call Waiting
 - ◆ Extension Clear—Fwd/DND
 - ◆ Extension Clear—Hot Line (Pick-up Dial)

Operating Manual References

- 1.3.26 Extension Feature Clear

6.1.8 Extension PIN (Personal Identification Number)

Description

Each extension user can be assigned a personal identification number (PIN) through system programming or personal programming (Extension PIN [Personal Identification Number]). This PIN is used to set features or access the extension remotely.

The following features require a valid PIN:

- a. Live Call Screening (LCS)^{*1} (→ 20.1.51 Unified Messaging—Live Call Screening (LCS))
- b. Incoming and Outgoing Call Log Display Lock (→ 18.1.7 Speed Dialing, Personal), Personal Speed Dialing Display Lock (→ 4.1.5 Call Log, Incoming)
- c. Walking Extension (→ 22.1.2 Walking Extension)
- d. Extension Dial Lock (→ 6.1.6 Extension Dial Lock)
- e. Walking COS (→ 22.1.1 Walking COS)
- f. Walking COS through DISA (→ 5.1.9 DISA (Direct Inward System Access))

^{*1} If an extension user has assigned an extension PIN, the PIN is required when activating this feature.

Conditions

CAUTION

There is a risk that fraudulent telephone calls will be made if a third party discovers a personal identification number (PIN) (verification code PIN or extension PIN) of the PBX. The cost of such calls will be billed to the owner/renter of the PBX. To protect the PBX from this kind of fraudulent use, we strongly recommend:

- a. Keeping PINs secret.
 - b. Selecting complex, random PINs that cannot be easily guessed.
 - c. Changing PINs regularly.
- **Extension PIN Lock**
If the extension PIN is entered incorrectly three times, the line will be disconnected. If an incorrect PIN is entered a preprogrammed number of times, the PIN will be locked. Only an extension assigned as a manager can unlock a PIN, after which it will be reset. In this case, the PIN will be unlocked and cleared.

This feature is also known as Station Password Lock.

- **Remote Extension PIN Clear**
If an extension user forgets his or her PIN, a manager can clear (reset) the PIN, and the extension user can assign a new PIN.
- **Extension PIN Display**
It is possible to select whether to show the extension PIN on the display through system programming. By default, it is shown as dots.

PC Programming Manual References

- 10.3 PBX Configuration—[2-3] System—Timers & Counters—Miscellaneous—◆ Extension PIN—Lock Counter
- 10.6.1 PBX Configuration—[2-6-1] System—Numbering Plan—Main—Features—◆ Extension PIN Set / Cancel
- 10.9 PBX Configuration—[2-9] System—System Options—Option 1—◆ PT LCD—Password / PIN Display
- 12.1.1 PBX Configuration—[4-1-1] Extension—Wired Extension—Extension Settings—Main—◆ Extension PIN
- 12.2.1 PBX Configuration—[4-2-1] Extension—Portable Station—Extension Settings—Main—◆ Extension PIN

Operating Manual References

- 3.1.2 Personal Programming
- 4.1.2 Manager Programming

6.1.9 External Relay

Description

By turning external device relays on and off, the PBX can control external devices such as alarms. When an extension user enters the External Relay feature number, the specified relay turns on for a preprogrammed length of time. When this timer expires, the relay turns off automatically. This gives the PBX simple control over other equipment, allowing an extension user to, for example, activate an alarm from his extension.

If the relay cannot be accessed (for example, because use is not permitted by COS, or the port is not in service), a reorder tone will be heard at the extension.

Conditions

- **Hardware Requirement:**
An external relay device and a DOORPHONE card
To connect an external relay to a legacy gateway (→ 18.1.9 Stacking Connection), refer to the documentation of the legacy gateway.
- The port of the DOORPHONE card to which the relay is connected must be assigned through system programming as a relay port (not a door opener port).
- Some devices may be unable to communicate correctly with the PBX. Confirm compatibility with the manufacturer of a device before installing it.
- Each external relay port has a COS assigned. This and the COS of an extension determine the extension users who can use External Relay.
- The length of time that a relay is turned on can be specified separately for each relay through system programming.

6.1.10 External Sensor

- If the same or another extension tries to access an external relay that has already been switched on, the timer for that relay is reset.

Installation Manual References

- 4.7.1 DOORPHONE Card (KX-NS0161)
- 4.9 Connecting to a Doorphone, Door Opener, and/or External Sensor

PC Programming Manual References

- 9.29 PBX Configuration—[1-1] Configuration—Slot—DOORPHONE Card—Card Property—◆ For Output - Device Type
- 10.6.1 PBX Configuration—[2-6-1] System—Numbering Plan—Main—Features—◆ External Relay Access
- 10.7.1 PBX Configuration—[2-7-1] System—Class of Service—COS Settings—Optional Device & Other Extensions—◆ External Relay Access
- 13.4 PBX Configuration—[5-4] Optional Device—External Relay

Feature Manual References

- 4.1.22 COS (Class of Service)

Operating Manual References

- 1.3.28 External Relay

6.1.10 External Sensor

Description

External sensing devices, such as security alarms or smoke detectors, can be connected to the PBX. When the PBX receives input from a sensor, a call is made to the preset destination, alerting the extension user. The available destinations of a sensor call are as follows:

[Available Destinations]

Destination	Availability
Wired Extension (PT/SLT/T1-OPX)	✓
PS	✓
SIP Extension	✓
ICD Group	
PS Ring Group	
UM Group	
VM Group (DTMF/DPT)	
Fax Unit	
External Pager (TAFAS)	
DISA	

Destination	Availability
Idle Line Access no. + Phone no.	
Trunk Group Access no. + Trunk Group no. + Phone no.	
Extension of Another PBX (via TIE Line, Access with PBX Code)	
Extension of Another PBX (via TIE Line, Access without PBX Code)	

When the call is answered, if distinctive dial tones are enabled, dial tone 3 is heard, which continues until the user goes on-hook. If the sensor call is not answered within a specified time, the call will be canceled. It is possible to set a different ring tone pattern for calls received from each external sensor, to distinguish between them.

Conditions

- **Hardware Requirement:**
An external sensor and a DOORPHONE card
To connect an external sensor to a legacy gateway (→ 18.1.9 Stacking Connection), refer to the documentation of the legacy gateway.
- Some devices may be unable to communicate correctly with the PBX. Confirm compatibility with the manufacturer of a device before installing it.
- After a sensor has been activated, the PBX will ignore any further alerts from the same sensor for the duration specified by a timer. This timer can be set separately for each sensor.
- As long as the previous sensor call is still being performed, any further alerts from the same sensor are ignored.
- The assigned sensor name and/or number are shown on the display of PTs and PSs when a sensor call is received.
- If the destination of a sensor call has set FWD, the sensor call will be redirected to the FWD destination. However, if the FWD destination is not supported as the destination of a sensor call (e.g., an outside party), the call will be received at the original destination. (→ 7.1.6 FWD (Call Forwarding))
- The following features cannot be used when a sensor call is received:
 - Alternate Receiving—Voice (→ 10.1.13 Intercom Call)
 - Hands-free Answerback (→ 9.1.1 Hands-free Answerback)
 - Consultation Hold/Call Hold (→ 4.1.21 Consultation Hold, → 4.1.4 Call Hold)
 - Call Transfer (→ 4.1.10 Call Transfer)
 - Executive Busy Override (→ 6.1.5 Executive Busy Override)
- Sensor call information is output on SMDR.

Installation Manual References

- 4.7.1 DOORPHONE Card (KX-NS0161)
- 4.9 Connecting to a Doorphone, Door Opener, and/or External Sensor

PC Programming Manual References

- 9.29 PBX Configuration—[1-1] Configuration—Slot—DOORPHONE Card—Card Property
 - ◆ For Sensor - Input Signal Decision Time
 - ◆ For Sensor - Input Signal Detection Reopening Time
- 10.3 PBX Configuration—[2-3] System—Timers & Counters—Miscellaneous—◆ External Sensor—Ring Duration

6.1.10 External Sensor

10.8.3 PBX Configuration—[2-8-3] System—Ring Tone Patterns—Call from Others—◆ External Sensor—Ring Tone Pattern Plan 1–8
13.5 PBX Configuration—[5-5] Optional Device—External Sensor

Section 7

Features and Configurations—F

7.1 F

7.1.1 Fixed Buttons


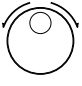


Description


Proprietary telephones (PTs), DSS Consoles, and Add-on Key Modules feature a wide variety of feature buttons and Line Access buttons, explained below.

Note that certain models do not feature certain buttons.

For a description of the buttons found on portable stations (PSs), please refer to the Operating Instructions for each PS.

[PT and Add-on Key Module]

Button	Usage
Navigator Key, Jog Dial, Volume Key <div style="display: flex; flex-direction: column; align-items: center; gap: 10px;">     </div>	Used to adjust the volume of the ringer, speaker, handset and headset, and also adjust the display contrast. The Navigator Key and Jog Dial can also be used to select data from the Call Directory and the System Feature Access Menu on the display.
ENTER	Used to confirm the selected item.
CANCEL	Used to cancel the selected item.
PROGRAM	Used to enter and exit programming mode.
FLASH/RECALL	Used to disconnect the current call and make another call without hanging up (Flash/Recall mode or Terminate mode), or used to send a flash/recall signal to the telephone company or host PBX to access external features (External Feature Access mode). This button can also be used as a CANCEL button while on-hook.
HOLD	Used to place a call on hold.
SP-PHONE (Speakerphone)	Used for hands-free operation. Also used to switch between handset and hands-free operation.
MONITOR	Used for hands-free dialing. Also used to monitor the other party's voice in hands-free mode.
MESSAGE	Used to leave a Message Waiting indication or call back the party who left the Message Waiting indication.
REDIAL	Used to redial the last number dialed.
TRANSFER	Used to transfer a call to another party.

Button	Usage
Flexible CO	Used to access a CO line or trunk group when making or receiving a call according to the button's preprogrammed CO Line Access method (Default: S-CO). Can also be customized as a different feature button.
INTERCOM	Used to make or receive intercom calls.
AUTO ANS (Auto Answer)/ MUTE	Used to receive an incoming call in hands-free mode, or used to mute the built-in microphone or handset during a conversation.
VOICE CALL/MUTE	Used to monitor an intercom call automatically (a hands-free conversation is not possible). Also used to mute the handset during a conversation.
AUTO DIAL/STORE	Used for System/Personal Speed Dialing and storing program changes.
CONF (Conference)	Used to establish a multiparty conversation.
FWD/DND	Used to set Call Forwarding (FWD) or Do Not Disturb (DND).
PAUSE	Used to insert a dialing pause in a stored number. With an APT, it is used as the PROGRAM button.
Soft	Used to select the item displayed on the bottom line of the display.
SELECT	Used to select the displayed item or to call the displayed number.
SHIFT	Used to access the second level of Soft button items.
MODE	Used to change the current display to access various features.
NEXT PAGE	 Used to switch the page for the Self Labeling feature (KX-NT366/ KX-NT560 only).

[DSS Console]

Button	Usage
ANSWER	Used to answer an incoming call, or place the current call on hold and answer another call with a one-touch operation.
RELEASE	Used to disconnect the line during or after a conversation, or to complete a Call Transfer.
Flexible CO	Used to access a CO line or trunk group when making or receiving a call according to the button's preprogrammed CO Line Access method. Can also be customized as a different feature button.
Flexible DSS (Direct Station Selection)	Used to call an extension with a one-touch operation. Each button is programmed to correspond to an extension. DSS buttons can also be customized as other different feature buttons.
PF (Programmable Feature)	Used to access a preprogrammed feature with a one-touch operation. (no default)

Conditions

- Certain buttons are equipped with a light to indicate the status of the corresponding line or feature.

7.1.2 Flash/Recall/Terminate

Description

A proprietary telephone (PT) user can use the FLASH/RECALL button (Flash/Recall mode or Terminate mode) or Terminate button (Terminate mode) to disconnect the current call and originate another call without hanging up.

Flash/Recall Mode: Disconnects the line and the extension user hears the dial tone from the line used last. For example, if a CO line call is disconnected, the extension user will hear a new dial tone from the same CO line.

Terminate Mode: Disconnects the line and the extension user hears a dial tone via the preferred CO line. (→ 12.1.3 Line Preference—Outgoing)

Conditions

- **FLASH/RECALL Button Mode**
One of the following modes can be selected for each extension through system programming:
 - Flash/Recall mode
 - Terminate mode
 - EFA mode (→ 6.1.1 EFA (External Feature Access))
- **Terminate Button**
Any flexible button can be customized as the Terminate button.
- **Disconnect Time (Only for Flash/Recall Mode)**
The amount of time between successive accesses to the same CO line is programmable for each CO line port.
- This feature generates a Station Message Detail Recording (SMDR) call record (→ 18.1.4 SMDR (Station Message Detail Recording)), restarts the call timer, inserts a pause, and checks the Toll Restriction (TRS) level (→ 19.1.5 TRS (Toll Restriction)) again.
- The Terminate feature will be performed when pressing the FLASH/RECALL button regardless of the mode that the FLASH/RECALL button has been set to, in the following situations:
 - When a call is made using ARS. (→ 2.1.3 ARS (Automatic Route Selection))
 - When a CO line call is made with the INTERCOM button.
 - When a CO line call is made with an Incoming Call Distribution (ICD) group button.
- For general SIP phones, the function of a FLASH button differs depending on the phone, and its functionality does not depend on the setting specified in the PBX.

PC Programming Manual References

9.25 PBX Configuration—[1-1] Configuration—Slot—Port Property - LCO Port—◆ Disconnect Time
 12.1.1 PBX Configuration—[4-1-1] Extension—Wired Extension—Extension Settings—Option 7—◆ Flash Mode during CO Conversation
 12.1.4 PBX Configuration—[4-1-4] Extension—Wired Extension—Flexible Button—◆ Type
 12.2.1 PBX Configuration—[4-2-1] Extension—Portable Station—Extension Settings—Option 7—◆ Flash Mode during CO Conversation
 12.2.3 PBX Configuration—[4-2-3] Extension—Portable Station—Flexible Button—◆ Type

Feature Manual References

7.1.3 Flexible Buttons

7.1.3 Flexible Buttons

Description

Flexible buttons are customized through either system or personal programming. They can then be used to make or receive intercom or CO line calls or be used as feature buttons, as follows:

[Button Usage]

Button	Usage
Single-CO (S-CO)	Used to access a specified CO line for making or receiving calls. (→ 4.1.16 CO Line Access)
Group-CO (G-CO)	Used to access an idle CO line in a specified trunk group for making calls. Incoming calls from CO lines in the assigned trunk group arrive at this button. (→ 4.1.16 CO Line Access)
Loop-CO (L-CO)	Used to access an idle CO line for making calls. Incoming calls from any CO line arrive at this button. (→ 4.1.16 CO Line Access)
Direct Station Selection (DSS)	Used to call an extension with a one-touch operation. (→ 10.1.13 Intercom Call)
Network Direct Station Selection (NDSS)	Used to access an extension at another PBX within the same network. (→ 15.1.14 Private Network Features—NDSS (Network Direct Station Selection))
One-touch Dialing	Used to call a preprogrammed party or access a feature with a one-touch operation. (→ 14.1.7 One-touch Dialing)
Incoming Call Distribution (ICD) Group	Used to access a specified incoming call distribution (ICD) group for making or receiving calls. (→ 10.1.1 ICD GROUP FEATURES)
Message	Used to leave a Message Waiting indication or call back the party who left the Message Waiting indication. (→ 13.1.3 Message Waiting)
FWD/DND (External/Internal/Both)¹	Used to set the FWD or DND feature for the extension. The feature is applied to CO line calls, intercom calls, or both. (→ 7.1.7 FWD/DND Button, Group FWD Button)
Group FWD (External/Internal/Both)	Used to set the FWD feature for a specified ICD group. The feature is applied to CO line calls, intercom calls, or both. (→ 7.1.7 FWD/DND Button, Group FWD Button)
Account Code Entry (Account)	Used to enter an account code. (→ 2.1.2 Account Code Entry)
Conference	Used to establish a multiparty conversation. (→ 4.1.18 Conference)
Terminate	Used to disconnect the current call and make another call without hanging up. (→ 7.1.2 Flash/Recall/Terminate)
External Feature Access (EFA)	Used to send a flash/recall signal to the telephone company or host PBX to access external features. (→ 6.1.1 EFA (External Feature Access))
Call Park	Used to park or retrieve a call in a preset PBX parking zone. (→ 4.1.7 Call Park)

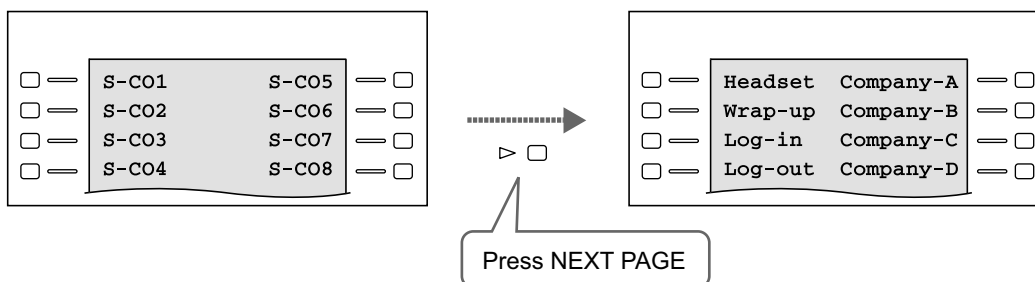
Button	Usage
Call Park (Automatic Park Zone)	Used to park a call in an idle PBX parking zone automatically. (→ 4.1.7 Call Park)
Call Log	Used to show a log of received calls. (→ 4.1.5 Call Log, Incoming)
Log-in/Log-out^{*1}	Used to switch between Log-in and Log-out status. (→ 10.1.3 ICD Group Features—Log-in/Log-out)
Hurry-up	Used to redirect the longest waiting call in the queue of an ICD group to the overflow destination. (→ 10.1.6 ICD Group Features—Queuing)
Wrap-up^{*1}	Used to switch between Wrap-up/Not Ready and Ready modes. (→ 10.1.3 ICD Group Features—Log-in/Log-out)
System Alarm	Used to display a PBX error. (→ 12.1.4 Local Alarm Information)
Time Service^{*1}	Used to change or display the current time mode (day/lunch/break/night). (→ 19.1.3 Time Service)
Answer	Used to answer an incoming call. (→ 9.1.3 Headset Operation)
Release	Used to disconnect the line during or after a conversation, or to complete a Call Transfer. (→ 9.1.3 Headset Operation)
Toll Restriction	Used to change the Toll Restriction (TRS) level of other extension users temporarily. (→ 5.1.6 Dial Tone Transfer)
Calling Line Identification Restriction (CLIR)^{*1}	Used to switch between CLIP and CLIR services. (→ 4.1.15 CLIP (Calling Line Identification Presentation), → 15.1.20 Private Network Features—QSIG—CLIP/COLP (Calling/Connected Line Identification Presentation) and CNIP/CONP (Calling/Connected Name Identification Presentation))
Connected Line Identification Restriction (COLR)^{*1}	Used to switch between COLP and COLR services. (→ 15.1.20 Private Network Features—QSIG—CLIP/COLP (Calling/Connected Line Identification Presentation) and CNIP/CONP (Calling/Connected Name Identification Presentation))
Headset	Used to turn headset mode on/off while idle. Used to switch between hands-free mode and headset modes during a conversation. (→ 9.1.3 Headset Operation)
Time Service Switching Mode (Automatic/Manual)^{*1}	Used to switch between Automatic Switching and Manual Switching mode. (→ 19.1.3 Time Service)
Two-way Record	Used to record a conversation into your own mailbox. (→ 20.1.90 Unified Messaging—Two-way Record/Two-way Transfer)
Two-way Transfer	Used to record a conversation into the mailbox of a specified extension. (→ 20.1.90 Unified Messaging—Two-way Record/Two-way Transfer)
One-touch Two-way Transfer	Used to record a conversation into the mailbox of a specified extension with a one-touch operation. (→ 20.1.90 Unified Messaging—Two-way Record/Two-way Transfer)

Button	Usage
Live Call Screening (LCS)	Used to monitor your own voice mailbox while a caller is leaving a message and, if desired, intercept the call. (→ 20.1.51 Unified Messaging—Live Call Screening (LCS))
Voice Mail (VM) Transfer	Used to transfer a call to the mailbox of a specified extension. Also used to access the Unified Messaging system (→ 20.1.94 Unified Messaging—Voice Mail (VM) Transfer Button) or the voice mail features of a VPS (DPT integration only).
Check-in	Used to switch the status of extensions from Check-out to Check-in. (→ 17.1.3 Room Status Control)
Check-out	Used to switch the status of extensions from Check-in to Check-out. (→ 17.1.3 Room Status Control)
Cleaned-up	Used to switch the room status of extensions between Ready and Not Ready. (→ 17.1.3 Room Status Control)
CTI	Used to access CTI features. (→ 4.1.24 CTI (Computer Telephony Integration))
Primary Directory Number (PDN)	Used to make and receive both outside and intercom calls. (→ 15.1.4 PDN (Primary Directory Number)/SDN (Secondary Directory Number) Extension)
Secondary Directory Number (SDN)	Used to show the current status of another extension, call the extension, and pick up or transfer calls to it. (→ 15.1.4 PDN (Primary Directory Number)/SDN (Secondary Directory Number) Extension)

*1 **One-touch Feature Setting Buttons:** Pressing these buttons while on-hook changes the feature settings. The new mode will be displayed for a preprogrammed time period.

Self Labeling (KX-NT366/KX-NT560 only)

The KX-NT366 IP-PT and KX-NT560 IP-PT have an LCD screen next to their flexible buttons. The label for each button can be set through personal/system programming to reflect the button's function. Additionally, the flexible buttons can be organized into multiple "pages". You can toggle between pages by pressing the NEXT PAGE key, as follows:



Note

The appearance of the NEXT PAGE button differs depending on the telephone model.

Conditions

[General]

- Not all buttons are available for KX-UT-series SIP phones. For details about available flexible button types, see 11.1.1 KX-UT Series SIP Phones.

[Self Labeling]

- Up to 12 characters can be assigned to the LCD of each flexible button through personal/system programming.
→ 12.1.4 PBX Configuration—[4-1-4] Extension—Wired Extension—Flexible Button—◆ Label Name
- When an incoming CO line call is answered or a CO line is seized, the corresponding CO button will turn Green and the LCD display will switch to the page that the corresponding CO button is registered in.
- It is not recommended to assign the System Alarm button when using this feature, because if an alarm occurs when the System Alarm button is not on the visible page, the alarm will not be noticed.

PC Programming Manual References

- 10.3 PBX Configuration—[2-3] System—Timers & Counters—Miscellaneous—◆ PT Display—PT Last Display Duration in Idle Mode
- 12.1.4 PBX Configuration—[4-1-4] Extension—Wired Extension—Flexible Button
- 12.1.4.1 PBX Configuration—[4-1-4] Extension—Wired Extension—Flexible Button—Flexible button data copy
- 12.1.5 PBX Configuration—[4-1-5] Extension—Wired Extension—PF Button
- 12.2.3 PBX Configuration—[4-2-3] Extension—Portable Station—Flexible Button

Operating Manual References

- 1.3.61 Self Labeling (KX-NT366/KX-NT560/KX-UT248/KX-UT670 only)
- 3.1.4 Customizing the Buttons

7.1.4 Flexible Numbering/Fixed Numbering

Description

To dial another extension user or to access PBX features, the access numbers (extension numbers or feature numbers) are required.

There are three types of numbering plans:

1. Flexible Numbering (available while a dial tone is heard)
2. Flexible Numbering (available while busy, DND, or ringback tone is heard)
3. Fixed Numbering (available while dialing or talking)

1. Flexible Numbering (available while a dial tone is heard)

Extension numbers and feature numbers which are available while a dial tone is heard can be customized for easy use. The numbers must not conflict. It is also possible to use the default settings shown in the following table.

a. Extension Numbers: Extension numbers consist of leading numbers and additional numbers.

Extension numbers (consisting of "0" through "9") can be assigned as follows:

- Numbering schemes: 1–64
- Leading number: up to three digits
- Additional number: up to two digits (default: two digits)

[Example]

If the number "3" is programmed as a leading number for the 1st extension numbering scheme, and "XX" is programmed as the additional digits, extension numbers 300 through 399 are available.

- b. Feature Numbers:** Up to four digits, consisting of 0-9, "×", and "#"
- c. Other PBX Extension Numbers (Other PBX Extension Number [TIE] 01 through 16):** Up to three digits, consisting of 0-9, "×", and "#"

[Flexible Numbering Table (available while a dial tone is heard)]

Feature	Default
Extension Numbering Scheme 1—Leading Number	1
Extension Numbering Scheme 2—Leading Number	2
Extension Numbering Scheme 3—Leading Number	3
Extension Numbering Scheme 4—Leading Number	4
Extension Numbering Scheme 5–20—Leading Number	None
Extension Numbering Scheme 21—Leading Number	50
Extension Numbering Scheme 22—Leading Number	51
Extension Numbering Scheme 23—Leading Number	52
Extension Numbering Scheme 24—Leading Number	53
Extension Numbering Scheme 25—Leading Number	54
Extension Numbering Scheme 26—Leading Number	55
Extension Numbering Scheme 27—Leading Number	56
Extension Numbering Scheme 28—Leading Number	57
Extension Numbering Scheme 29—Leading Number	58
Extension Numbering Scheme 30—Leading Number	59
Extension Numbering Scheme 31—Leading Number	6
Extension Numbering Scheme 32–64—Leading Number	None
Operator Call ¹	0
Idle Line Access (Local Access) ¹	9
Trunk Group Access ¹	8
TIE Line Access ¹	7
Redial ¹	#
Speed Dialing—System/Personal ¹	××
Personal Speed Dialing—Programming ¹	×30
Doorphone Call ¹	×31
Conference Group Call ¹	×32
Group Paging ¹	×33
External BGM on/off ¹	×35

7.1.4 Flexible Numbering/Fixed Numbering

Feature	Default
Outgoing Message (OGM) playback/record/clear	*36
S-CO Line Access ¹	*37
Parallel Telephone (Ring) Mode set/cancel	*39
Group Call Pickup ¹	*40
Directed Call Pickup ¹	*41
TAFAS—Calls through an External Pager	*42
Group Paging answer ¹	*43
Automatic Callback Busy cancel/CCBS cancel	*46
User Remote Operation/Walking COS/Verification Code Entry	*47
Wireless XDP Parallel Mode set/cancel	*48
Account Code Entry ¹	*49
Call Hold/Call Hold Retrieve ¹	*50
Call Hold Retrieve—Specified with a Holding Extension Number ¹	*51
Call Park/Call Park Retrieve ^{1,2}	*52
Call Hold Retrieve—Specified with a Held CO Line Number ¹	*53
Door Open ¹	*55
External Relay	*56
External Feature Access	*60
COLR set/cancel ¹	*7*0
CLIR set/cancel ¹	*7*1
Switch CLIP of the CO Line/Extension ¹	*7*2
Message Waiting set/cancel/callback ¹	*70
FWD/DND set/cancel—Both ¹	*710
FWD/DND set/cancel—External ¹	*711
FWD/DND set/cancel—Internal ¹	*712
FWD/DND No Answer Timer set ¹	*713
Group FWD set/cancel—Both ¹	*714
Group FWD set/cancel—External ¹	*715
Group FWD set/cancel—Internal ¹	*716
Call Pickup Deny set/cancel ¹	*720
Paging Deny set/cancel ¹	*721
Walking Extension/Enhanced Walking Extension	*727
Data Line Security set/cancel ¹	*730

Feature	Default
Call Waiting Mode: Call from Extension off/BSS/OHCA/Whisper OHCA ^{*1}	✖731
Call Waiting Mode: Call from CO set/cancel ^{*1}	✖732
Executive Busy Override Deny set/cancel ^{*1}	✖733
Not Ready Mode on/off ^{*1}	✖735
Log-in/Log-out ^{*1}	✖736
Incoming Call Queue Monitor	✖739
Hot Line program/set/cancel	✖740
Absent Message set/cancel ^{*1}	✖750
BGM set/cancel	✖751
Remote Wake-up Call	✖76✖
Timed Reminder set/cancel	✖760
Printing Message	✖761
Extension Dial Lock set/cancel ^{*1}	✖77
Time Service Switch ^{*1}	✖780
Remote Extension Dial Lock off ^{*1}	✖782
Remote Extension Dial Lock on ^{*1}	✖783
NDSS Monitor Release (Centralized BLF Monitor Cancel)	✖784
Extension Feature Clear ^{*1}	✖790
Extension Personal Identification Number (PIN) set/cancel ^{*1}	✖799
Dial Information (CTI)	None
Other PBX Extension Number (TIE) 01–16	None
Quick Dialing 1–80 ^{*3}	None

^{*1} SIP extension users can use these feature numbers.

^{*2} From a SIP extension, this feature number can be used only for Call Park Retrieve.

^{*3} It is possible to register Quick Dialing numbers that overlap with other registered numbers. This is used for the Automatic Rerouting of VoIP Calls To Public CO Line feature.

2. Flexible Numbering (available while a busy, DND, or ringback tone is heard)

Feature numbers which are available while a busy, DND, or ringback tone is heard can be customized for easy use. The numbers should be one digit (0-9, "✖", or "#") and must not conflict. For a list of the default settings, refer to the following table:

[Flexible Numbering Table (available while a busy, DND, or ringback tone is heard)]

Feature	Default
Call Waiting/DND Override ^{*1}	1 or 2 ^{*2}
Executive Busy Override ^{*1}	3
Message Waiting set ^{*1}	4

Feature	Default
Call Monitor ¹	5
Automatic Callback Busy	6
Alternate Calling—Ring/Voice	✖

¹ SIP extensions cannot perform DND Override, Executive Busy Override, Message Waiting, or Call Monitor but can be the recipient of them.

² To use Call Waiting/DND Override, both "1" and "2" are available by default.

3. Fixed Numbering (available while dialing or talking)

Features which are available while dialing or talking have fixed numbers, as shown in the following table:

[Fixed Numbering Table (available while dialing or talking)]

Feature	Fixed Numbering
Pulse to Tone Conversion	✖
Conference ¹	3
Door Open ²	5

¹ SIP extensions cannot establish conferences but can participate in them.

² SIP extension users can use these feature numbers.

Conditions

- The following are examples of feature number conflicts: 1 and 11, 0 and 00, 2 and 21, 10 and 101, 32 and 321, etc.
- Feature number + Additional number (Parameter)**
Certain flexible feature numbers require additional digits to make the feature active. For example, to set Call Waiting, the feature number for "Call Waiting" must be followed by "1" and to cancel it, the same feature number should be followed by "0".
- Rotary single line telephone (SLT) users cannot dial feature numbers which include "✖" or "#".
- Portable station (PS) users cannot use the following features:
 - Personal Speed Dialing
 - OGM playback/record
 - S-CO Line Access
 - Parallel Telephone Mode set/cancel
 - Walking Extension
 - BGM set/cancel
 - Timed Reminder

PC Programming Manual References

10.6.1 PBX Configuration—[2-6-1] System—Numbering Plan—Main

→Extension

→Features

→Other PBX Extension

10.6.2 PBX Configuration—[2-6-2] System—Numbering Plan—Quick Dial

10.6.3 PBX Configuration—[2-6-3] System—Numbering Plan—B/NA DND Call Feature

Feature Manual References

- 15.1.24 PS (Portable Station)
- 23.1 Capacity of System Resources

Operating Manual References

- 5.3.1 Feature Number Table

7.1.5 Floating Extension

Description

Virtual extension numbers can be assigned to resources to make them as easily accessible as extensions. These numbers are referred to as "floating extension numbers" and can be assigned as a destination of incoming calls, intercepted calls, etc.

This feature is also known as Floating Station.

Resource		Description	Default
Device	External Pager	Used as the destination for the Trunk Answer From Any Station (TAFAS) feature. (→ 19.1.1 TAFAS (Trunk Answer From Any Station))	600 or 6000 ^{*1}
	Outgoing Message (OGM)	Used to play messages for callers via the Direct Inward System Access (DISA) feature. (→ 5.1.9 DISA (Direct Inward System Access))	536–599 or 58 + two-digit OGM number ^{*1}
Group	Incoming Call Distribution (ICD) Group	Used to call an ICD group. (→ 10.1.1 ICD GROUP FEATURES)	6 or 60 + two-digit group number ^{*1,2}
	PS Ring Group	Used to call a PS ring group. (→ 15.1.27 PS—Ring Group)	—
	VM (DPT) Group	Used to call a VM (DPT) group.	—
	VM (DTMF) Group	Used to call a VM (DTMF) group.	—
	UM Group	Used to call a UM group.	500 or 5000 ^{*1,3}

^{*1} The default floating extension number depends on the value specified for **Numbering Plan** in Easy Setup.

^{*2} A default floating extension number is provided only up to group 64. The floating extension number for groups 65 and higher must be set explicitly.

^{*3} In a One-look network (→ 14.1.4 One-look Network), 500 is the default floating extension number of the Master Unit's UM group. For a Slave Unit, the default depends on the order in which the Slave Unit was registered.

Conditions

- Certain resources which are assigned a floating extension number can also be assigned a name.

PC Programming Manual References

- 2.1.4 Easy Setup Wizard—PBX Setting—Select the default value of Numbering Plan

7.1.6 FWD (Call Forwarding)

- 10.6.1 PBX Configuration—[2-6-1] System—Numbering Plan—Main—Extension
- 11.5.1 PBX Configuration—[3-5-1] Group—Incoming Call Distribution Group—Group Settings—Main
 - ◆ Floating Extension Number
 - ◆ Group Name
- 11.7.2 PBX Configuration—[3-7-2] Group—UM Group—Unit Settings—◆ Floating Extension No.
- 11.8 PBX Configuration—[3-8] Group—PS Ring Group—◆ Floating Extension Number
- 13.2 PBX Configuration—[5-2] Optional Device—External Pager—◆ Floating Extension Number
- 13.3.2 PBX Configuration—[5-3-2] Optional Device—Voice Message—DISA Message—◆ Floating Extension Number

Feature Manual References

- 15.1.3 PC Programming

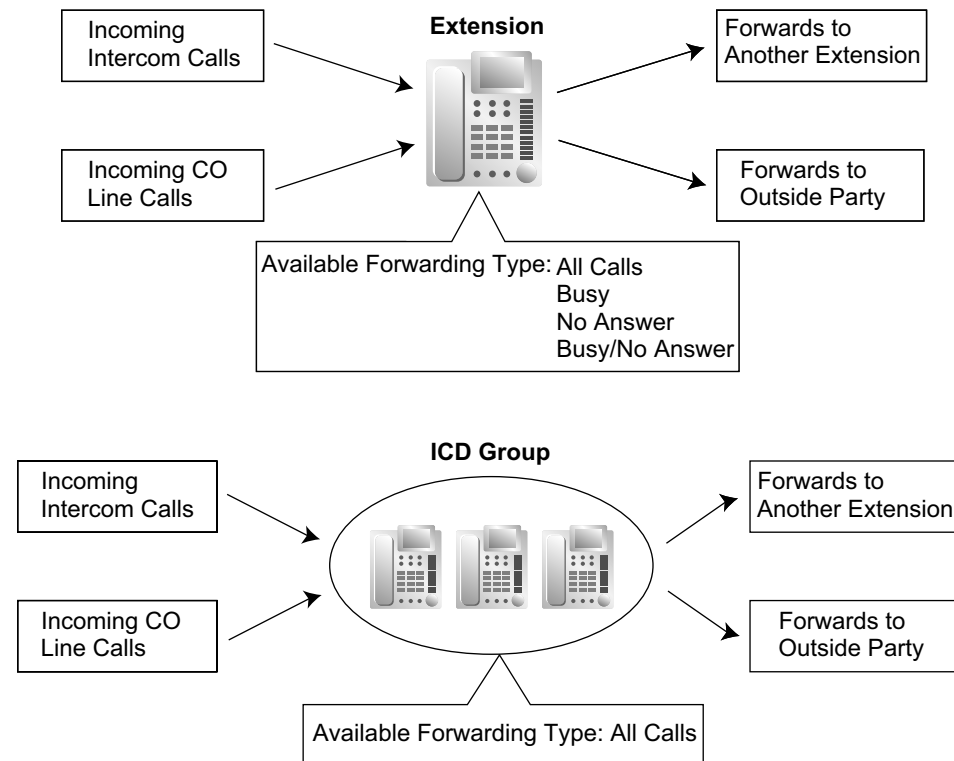
7.1.6 FWD (Call Forwarding)

Description

Extensions and incoming call distribution groups can forward their calls to preset destinations. There are several different types of forwarding, and the circumstances under which the calls are forwarded for each type differ as follows:

Type	Circumstance
All Calls	Any time Follow Me: When an extension user fails to set this feature before leaving the desk, this feature can be set from the destination extension.
Busy	When the extension user's line is busy.
No Answer	When the extension user does not answer within a preprogrammed time.
Busy/No Answer	When the extension user's line is busy or the user does not answer within a preprogrammed time.

Depending on the type of incoming intercom or CO line calls, it is possible to set a different destination for each.



[Available Destinations]

Destination	Availability	Condition for Original Extension/ Incoming Call Distribution Group
Wired Extension (PT/SLT/SIP Extension/ T1-OPX)	✓	Only available when FWD to extension is allowed through COS programming. ¹
PS	✓	
ICD Group	✓	
PS Ring Group	✓	–
UM Group	✓	–
VM Group (DTMF/DPT)	✓	–
Fax Unit	✓	–
External Pager (TAFAS)	✓	–
DISA	✓	Only available for incoming CO line calls. Incoming intercom and doorphone calls cannot be forwarded to a DISA floating extension number.
Idle Line Access no. + Phone no.	✓	Only available when FWD to CO line is allowed through COS programming.
Trunk Group Access no. + Trunk Group no. + Phone no.	✓	

Destination	Availability	Condition for Original Extension/ Incoming Call Distribution Group
Extension of Another PBX (via TIE Line, Access with PBX Code)	✓	Only available when FWD to CO line is allowed through COS programming.
Extension of Another PBX (via TIE Line, Access without PBX Code)	✓	–

*1 If an extension user is not permitted by COS to call a certain extension (→ 10.1.14 Internal Call Block), the FWD feature will not function if that extension is set as the forwarding destination.

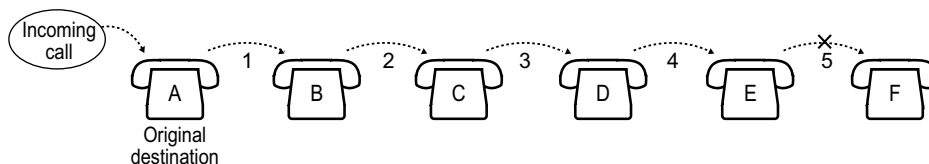
Parallel Ringing When Forwarding to CO Line

When an unanswered call is forwarded to an outside line, such as a cellular phone, the forwarding extension's phone will continue ringing until the forwarded call is answered at either phone. This feature can be enabled for each extension through system programming. Even when the outside destination answers the call, DSS buttons for the forwarding extension are displayed as busy. The Intercept Routing feature is available for when parallel ringing is not answered.

Conditions

[General]

- **FWD for CO Line Calls/Intercom Calls**
The extension user can set the FWD feature for CO line calls, for intercom calls, or for both.
- **FWD from Incoming Call Distribution Group (Group FWD)**
COS programming determines the incoming call distribution groups that can use this feature.
- **FWD to CO Line**
COS programming determines the extensions or incoming call distribution groups that can forward calls externally.
The original extension's Toll Restriction and ARS still apply to the forwarded call.
- **CO Line Call Duration**
The duration of a CO line call can be restricted by a system timer. CO line call duration is assigned separately for calls between an extension user and an outside party, and calls between two outside parties. If the timer expires, the line will be disconnected. (→ 4.1.17 CO Line Call Limitation)
- **Multiple FWD**
Calls can be forwarded up to four times. The following forwarding features are counted as Multiple FWD:
 - FWD—Busy or Busy/No Answer (when the destination extension is busy), or All Calls
 - Idle Extension Hunting—Overflow
 - Intercept Routing—Busy/DND (when the destination extension is busy or in DND mode)
 - Incoming Call Distribution Group—Overflow

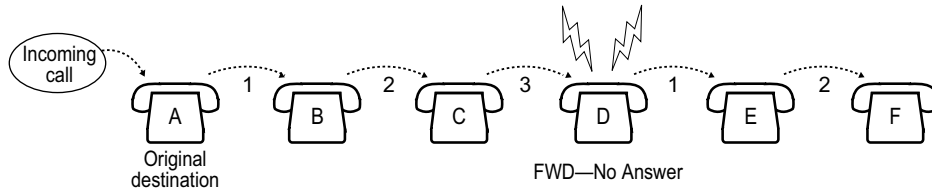


In the above illustration, forwarding stops at extension E. However, forwarding can go farther in the following cases:

- If a destination extension rings, and then the call is redirected to the forward destination by the FWD—No Answer or Busy/No Answer feature.

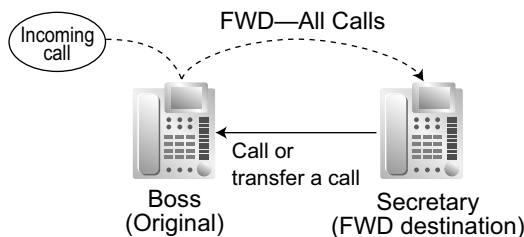
- If a destination extension rings, and then the call is redirected to the intercept destination by the Intercept Routing—No Answer feature.
- If a call waits in a queue of an incoming call distribution group, and then the call is redirected to the overflow destination by the Queuing Time Table. (→ 10.1.6 ICD Group Features—Queuing)

In the above cases, the forwarding counter resets to zero, and the call can be forwarded up to four times again from the destination extension described above.



- **Boss & Secretary feature**

It is possible to call the original extension from the destination extension regardless of the forward setting.



- **Message Waiting**

While calls are forwarded, Message Waiting information is not forwarded. The Message button light turns on at the originally called extension. (→ 13.1.3 Message Waiting)

- **Idle Extension Hunting**

Idle Extension Hunting applies to calls forwarded to a busy extension in an idle extension hunting group.

[All Calls and Busy]

- If the forward destination is not available to answer a call, this feature is canceled and the original destination will ring for the following type of call:
 - Doorphone call
 - CO line calls via the ELCOT/LCOT or T1 (LCOT) cards

[No Answer and Busy/No Answer]

- **No Answer Time**

The number of rings before the call is forwarded is programmable for each extension.

[Follow Me]

- This feature is only available when the original extension has set "◆ Remote Operation by Other Extension" to "Allow" through COS programming.

[Parallel Ringing When Forwarding to CO Line]

- KX-NSE101, KX-NSE105, KX-NSE110 or KX-NSE120 (Activation Key for Mobile Extension) is required to use this feature. One activation key is required for each extension that will use this feature.
- Even though DSS buttons for the forwarding extension indicate that the extension is busy, it can still receive calls. If another call is received, FWD—No Answer will operate as normal.
- **When the forwarding extension is a virtual PS** (→ 21.1.2 Virtual PS)
 - The No Answer Time setting is ignored: All calls are forwarded immediately, even if No Answer is specified as the forwarding method.

- If the forward destination is unavailable, the forwarding extension is treated as busy. (In this case, FWD—Busy is ignored even if it is enabled.) However, if the original caller is on an analog CO line, to which busy signals/tones cannot be sent, the PBX will continue to try to connect to the forward destination until a connection is established or the original caller hangs up.
- If an extension goes on-hook while transferring a call to an extension ringing in parallel with a CO line, the CO line will stop ringing for a moment, then begin ringing again.
- This feature is not available for channels of a T1 CO line set to LCOT type.
- This feature may not be available depending on the specifications of the telephone network.

PC Programming Manual References

- 10.6.1 PBX Configuration—[2-6-1] System—Numbering Plan—Main—Features—◆ FWD No Answer Timer Set
- 10.7.1 PBX Configuration—[2-7-1] System—Class of Service—COS Settings
 - CO & SMDR—◆ Call Forward to CO
 - Manager—◆ Group Forward Set
 - Optional Device & Other Extensions—◆ Remote Operation by Other Extension
- 11.1.1 PBX Configuration—[3-1-1] Group—Trunk Group—TRG Settings—Main
 - ◆ CO-CO Duration Time (*60s)
 - ◆ Extension-CO Duration Time (*60s)
- 11.5.1 PBX Configuration—[3-5-1] Group—Incoming Call Distribution Group—Group Settings—Group Log / Group FWD
- 12.1.1 PBX Configuration—[4-1-1] Extension—Wired Extension—Extension Settings—FWD / DND
- 12.1.2 PBX Configuration—[4-1-2] Extension—Wired Extension—FWD/DND
- 12.2.1 PBX Configuration—[4-2-1] Extension—Portable Station—Extension Settings—FWD / DND
- 12.2.2 PBX Configuration—[4-2-2] Extension—Portable Station—FWD/DND

Feature Manual References

- 4.1.22 COS (Class of Service)
- 10.1.5 ICD Group Features—Overflow
- 10.1.9 Idle Extension Hunting
- 10.1.11 Intercept Routing

Operating Manual References

- 1.3.30 FWD (Call Forwarding)

7.1.7 FWD/DND Button, Group FWD Button

Description

The FWD/DND fixed button, or a customized flexible button, can display the FWD/DND setting status of the extension. Using this button, the FWD status and DND status of the extension can be temporarily set or canceled without clearing FWD destination settings.

FWD/DND Button Types

Multiple types of FWD/DND buttons can be customized on an extension.

Type		Description
FWD/DND for Extension	FWD/DND—Internal	Works for incoming intercom calls
	FWD/DND—External	Works for incoming CO line calls
	FWD/DND—Both	Works for all incoming calls

[Button Status]

The FWD/DND button shows the current status as follows:

Light Pattern	Status (default)
Red on	DND on
Slow red flashing	FWD on
Off	FWD/DND off

The functions assigned to the "on" and "flashing" patterns can be changed through system programming.

Group FWD Button Types

The FWD feature for the incoming call distribution group can be customized on a flexible button. Multiple types of Group FWD buttons can be customized on an extension.

Type		Description
FWD for Incoming Call Distribution Group	Group FWD—Internal	Works for incoming intercom calls
	Group FWD—External	Works for incoming CO line calls
	Group FWD—Both	Works for all incoming calls

[Button Status]

The Group FWD button shows the current status as follows:

Light Pattern	Status (default)
Red on	FWD on
Off	FWD off

FWD/DND Setting by Fixed FWD/DND button

Pressing the fixed FWD/DND button in idle status allows the extension user to set the following items for FWD/DND:

- FWD/DND for CO line calls
The FWD/DND status for CO line calls to that extension can be switched temporarily without clearing the FWD destination. During setting, the LED of the button shows the current CO line call FWD/DND status. The forwarding type and destination for CO line calls can also be set.
- FWD/DND for intercom calls
The FWD/DND status for intercom calls to that extension can be switched temporarily without clearing the FWD destination. During setting, the LED of the button shows the current intercom call FWD/DND status. The forwarding type and destination for intercom calls can also be set.
- FWD—No Answer timer
The length of time until unanswered calls are forwarded can be modified. This setting is applied to both intercom and CO line call forwarding.
- FWD for Virtual PS

7.1.7 FWD/DND Button, Group FWD Button

If the extension is the first registered extension in an Incoming Call Distribution Group, the extension user can set the FWD destination and forwarding status (on/off) for up to 4 virtual PSs preregistered to the group. (→ 21.1.2 Virtual PS)

These settings are only available when FWD/DND buttons are set through system programming to FWD/DND Setting mode.

Conditions

- When FWD/DND buttons are set to FWD/DND Cycle Switch mode, pressing the FWD/DND button cycles the FWD/DND setting.
In this mode, when intercom calls are set to be handled differently from CO line calls (forwarding type, forward destination, DND on/off):
 - a. in idle mode, the light patterns of the FWD/DND—Both button (including FWD/DND button [fixed button]) and the Group FWD—Both button will indicate the setting for either CO line calls or intercom calls, but not both.
 - b. the FWD and DND icons on a PS display reflect the settings for CO line calls only.
 - c. pressing the FWD/DND—Both button (including FWD/DND button [fixed button]) or the Group FWD—Both button will be ignored.
- When both the FWD and DND features are assigned simultaneously, pressing the button changes the settings as follows:



- A FWD/DND button customized on a flexible button is always in FWD/DND Cycle Switch mode, and the mode cannot be changed.

PC Programming Manual References

- 10.6.1 PBX Configuration—[2-6-1] System—Numbering Plan—Main—Features
 - ◆ FWD/DND Set / Cancel: Call from CO & Extension
 - ◆ FWD/DND Set / Cancel: Call from CO
 - ◆ FWD/DND Set / Cancel: Call from Extension
 - ◆ Group FWD Set / Cancel: Call from CO & Extension
 - ◆ Group FWD Set / Cancel: Call from CO
 - ◆ Group FWD Set / Cancel: Call from Extension
- 10.9 PBX Configuration—[2-9] System—System Options—Option 1
 - ◆ PT Fwd / DND—Fwd LED
 - ◆ PT Fwd / DND—DND LED
 - ◆ PT Fwd / DND—Fwd/DND key mode when Idle
- 12.1.1 PBX Configuration—[4-1-1] Extension—Wired Extension—Extension Settings—FWD / DND
- 12.1.4 PBX Configuration—[4-1-4] Extension—Wired Extension—Flexible Button
 - ◆ Type
 - ◆ Extension Number (for Group Fwd (Both))
 - ◆ Extension Number (for Group Fwd (External))
 - ◆ Extension Number (for Group Fwd (Internal))
- 12.2.1 PBX Configuration—[4-2-1] Extension—Portable Station—Extension Settings—FWD / DND
- 12.2.3 PBX Configuration—[4-2-3] Extension—Portable Station—Flexible Button
 - ◆ Type
 - ◆ Extension Number (for Group Fwd (Both))
 - ◆ Extension Number (for Group Fwd (External))
 - ◆ Extension Number (for Group Fwd (Internal))

Feature Manual References

- 7.1.1 Fixed Buttons
- 7.1.3 Flexible Buttons

Operating Manual References

- 3.1.2 Personal Programming

Section 8

Features and Configurations—G

8.1 G

8.1.1 GROUP FEATURES

Description

This PBX supports various types of groups.

1. Trunk Group

CO lines can be grouped into trunk groups based on carrier, CO line type, etc. Several settings can be assigned on a trunk group basis. All CO lines belonging to a trunk group follow the programming for that trunk group.

→ 11.1.1 PBX Configuration—[3-1-1] Group—Trunk Group—TRG Settings

Each CO line can belong to only one trunk group. CO lines are assigned to a trunk group based on their port numbers (for ELCOT/LCOT, PRI, and SIPGW cards) or their channel numbers (for T1 cards).

2. Extension User Group

Extensions can be grouped into extension user groups. Extension user groups then compose the following groups:

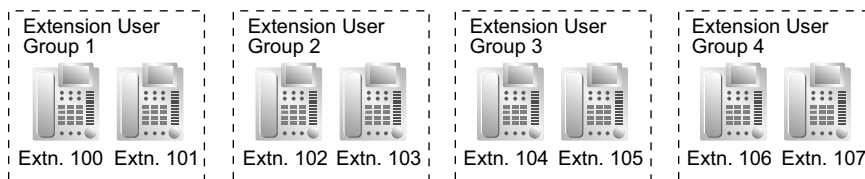
- a. Tenant (→ 19.1.2 Tenant Service)
- b. Call Pickup Group (See below.)
- c. Paging Group (See below.)

Every extension must belong to one extension user group and cannot belong to more than one extension user group.

→ 11.2 PBX Configuration—[3-2] Group—User Group

Assignable Extensions: Proprietary telephone (PT)/single line telephone (SLT)/portable station (PS)/SIP Extension/T1-OPX

[Example]



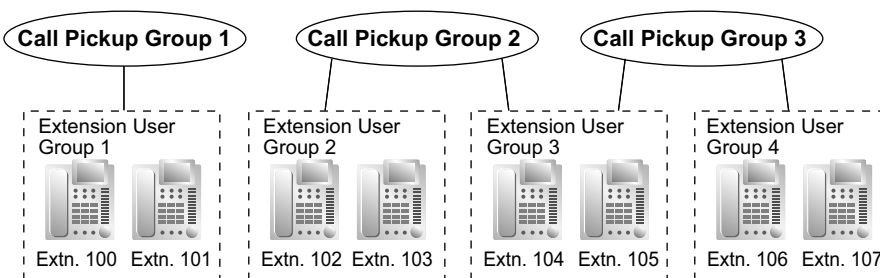
Call Pickup Group

Using the Group Call Pickup feature, extensions can answer any calls within the call pickup group to which they belong. One extension user group can belong to several call pickup groups. (→ 4.1.8 Call Pickup)

→ 11.3 PBX Configuration—[3-3] Group—Call Pickup Group

→ 11.3.1 PBX Configuration—[3-3] Group—Call Pickup Group—All Setting

[Example]



Paging Group

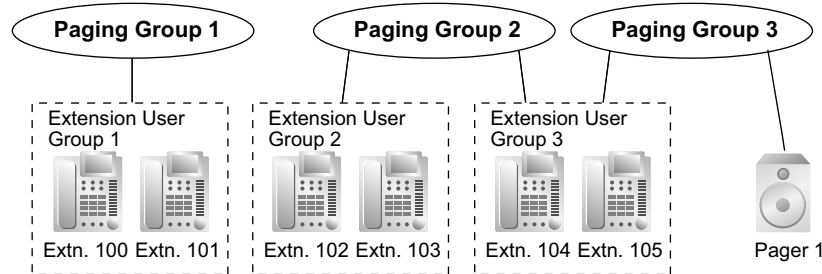
Using the Paging feature, extensions can make a page to any paging group or answer a page to their own groups. One extension user group or external pager (loudspeaker) can belong to several paging groups. (→ 15.1.1 Paging)

→ 11.4 PBX Configuration—[3-4] Group—Paging Group

→ 11.4.1 PBX Configuration—[3-4] Group—Paging Group—All Setting

→ 11.4.2 PBX Configuration—[3-4] Group—Paging Group—External Pager

[Example]



3. Idle Extension Hunting Group

If a called extension is busy or in Do Not Disturb (DND) mode, Idle Extension Hunting redirects the incoming call to an idle member of the same idle extension hunting group. Members are programmed through system programming. When calls are received, idle extensions are automatically searched for according to a preprogrammed hunting type: Circular Hunting or Terminated Hunting. (→ 10.1.9 Idle Extension Hunting)

→ 11.6 PBX Configuration—[3-6] Group—Extension Hunting Group

→ 11.6.1 PBX Configuration—[3-6] Group—Extension Hunting Group—Member List

4. Incoming Call Distribution Group (ICD Group)

An ICD group is a group of extensions which receives incoming calls directed to the group. Each ICD group has a floating extension number (default: 6 + two-digit group number^{*1}) and name. One extension can belong to multiple ICD groups.

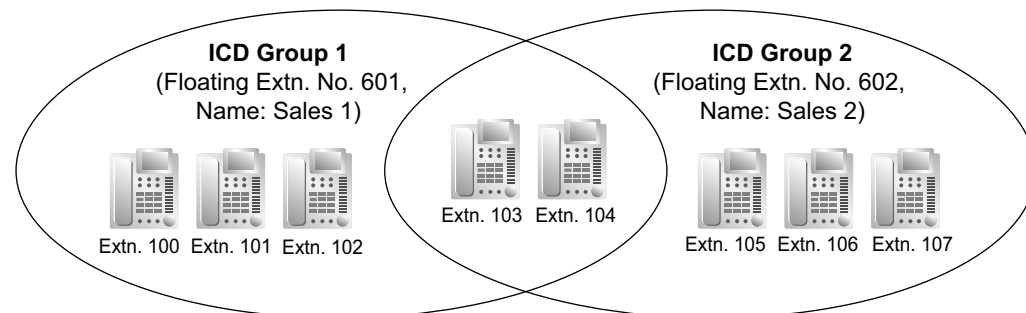
→ 11.5.1 PBX Configuration—[3-5-1] Group—Incoming Call Distribution Group—Group Settings

→ 11.5.1.1 PBX Configuration—[3-5-1] Group—Incoming Call Distribution Group—Group Settings—Member List

Assignable Extensions: PT/SLT/PS/SIP Extension/T1-OPX/PS ring group

(→ 10.1.1 ICD GROUP FEATURES)

[Example]



^{*1} The number of digits for **Floating Extn. No** depends on the value specified for **Numbering Plan** in Easy Setup.

→ 2.1.4 Easy Setup Wizard—PBX Setting—Select the default value of Numbering Plan

5. UM Group

A UM group is the collection of all Unified Messaging ports of one PBX. One UM group exists for each PBX in a One-look network. Each UM group is assigned a floating extension number.

(→ 20.1.2 UNIFIED MESSAGING FEATURES)

→ 11.7.1 PBX Configuration—[3-7-1] Group—UM Group—System Settings

→ 11.7.2 PBX Configuration—[3-7-2] Group—UM Group—Unit Settings

6. VM Group

There are two types of VM groups as follows:

Type	Description
VM (DTMF) Group	A group of SLT ports which use the Voice Mail DTMF Integration features. One SLT port can belong to only one group.
VM (DPT) Group	A group of DPT ports which use the Voice Mail DPT (Digital) Integration features. One DPT port can belong to only one group.

→ 11.11.1 PBX Configuration—[3-11-1] Group—VM(DPT) Group—System Settings

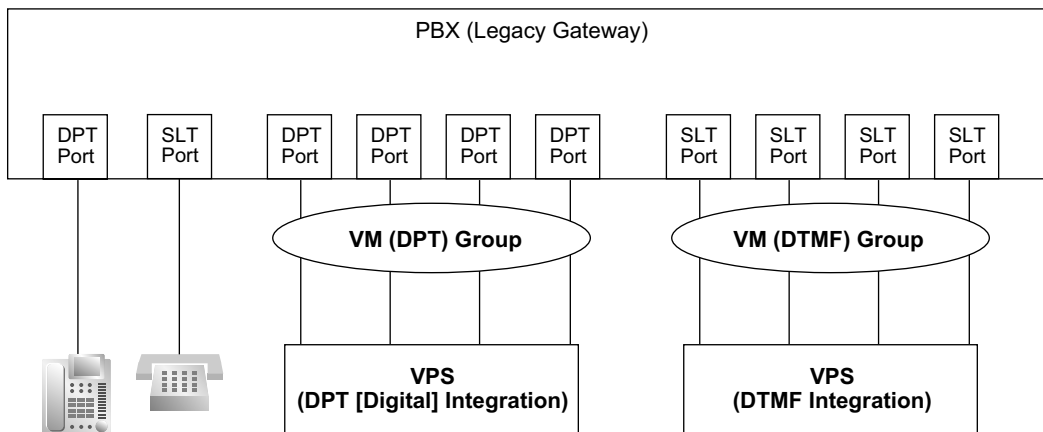
→ 11.11.2 PBX Configuration—[3-11-2] Group—VM(DPT) Group—Unit Settings

→ 11.12.1 PBX Configuration—[3-12-1] Group—VM(DTMF) Group—System Settings

→ 11.12.2 PBX Configuration—[3-12-2] Group—VM(DTMF) Group—Group Settings

→ 11.12.2.1 PBX Configuration—[3-12-2] Group—VM(DTMF) Group—Group Settings—Member List

[Example]

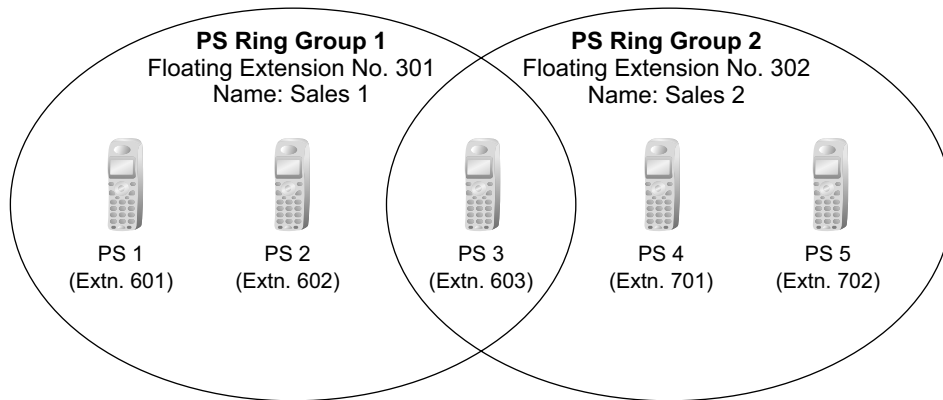


7. PS Ring Group

A PS ring group is a group of PS extensions which receives incoming calls directed to the group. Each group has a floating extension number and name assigned through system programming. One PS can belong to multiple PS ring groups. (→ 15.1.27 PS—Ring Group)

11.8 PBX Configuration—[3-8] Group—PS Ring Group

11.8.1 PBX Configuration—[3-8] Group—PS Ring Group—Member List

**8. Conference Group**

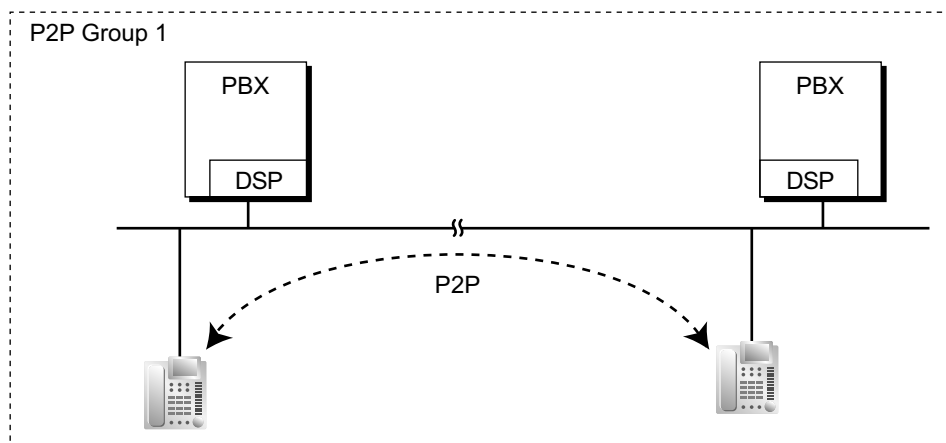
A conference group is a group of parties that are called when an extension user uses the Conference Group Call feature (→ 4.1.19 Conference Group Call). When Broadcast Mode is enabled through system programming, a maximum of 31 parties can be assigned to a group. When Broadcast Mode is disabled, a maximum of 7 parties can be assigned to a group. A maximum of 8 conference groups can be programmed.

→ 11.9 PBX Configuration—[3-9] Group—Conference Group

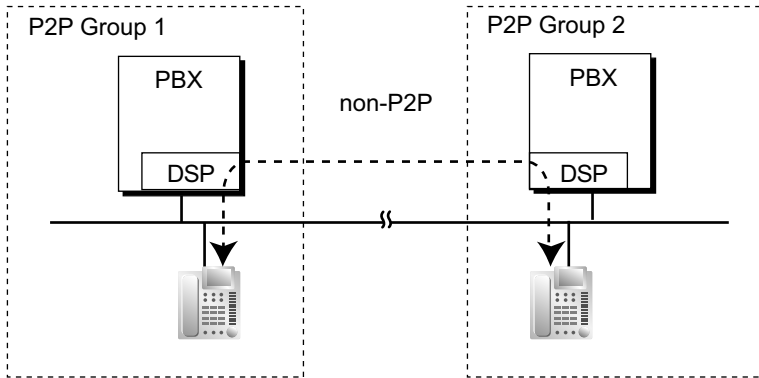
→ 11.9.1 PBX Configuration—[3-9] Group—Conference Group—Member List

9. P2P Group

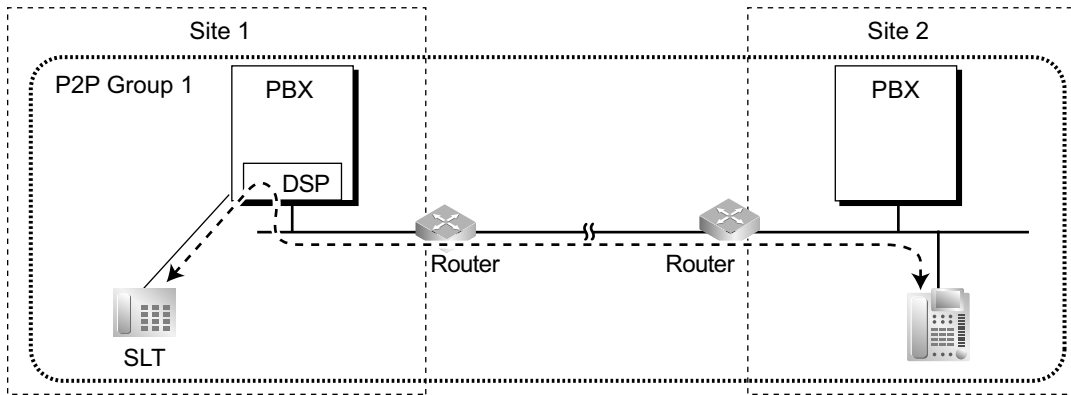
Devices in the same P2P group can establish peer-to-peer (P2P) connections and communicate (make calls) without using PBX resources. IP-PTs, SIP extensions, and PBXs are all assigned to P2P groups.

Connection between devices in the same P2P group

Connection between devices in different P2P groups



The PBX group assignment is used when an IP telephone establishes a call with a non-IP telephone (e.g., an SLT). If the non-IP telephone's PBX and the IP telephone are in the same P2P group, a P2P connection is established between the IP telephone and the PBX:



→ 11.10 PBX Configuration—[3-10] Group—P2P Group

PC Programming Manual References

- Section 11 PBX Configuration—[3] Group
- 2.1.4 Easy Setup Wizard—PBX Setting—Select the default value of Numbering Plan

Feature Manual References

- 7.1.5 Floating Extension
- 23.1 Capacity of System Resources

Section 9

Features and Configurations—H

9.1 H

9.1.1 Hands-free Answerback

Description

A proprietary telephone (PT) user with a speakerphone or optional headset can talk to a caller without lifting the handset. If the user receives a call in Hands-free Answerback mode, a hands-free conversation is established in the following method:

Type	Answering Method
Intercom Call	Established immediately after a beep tone at the called extension and the caller hears a confirmation tone.
CO Line Call	Established after a specified number of rings, a called extension hears a beep tone.

Class of Service (COS) with Hands-free Answerback

Hands-free Answerback can be enabled only for specific callers based on the caller's COS setting. For example, a nurse could call a room and the called extension will answer automatically so that the nurse can check on the occupant of the room. However, other intercom calls would ring even if Hands-free Answerback was set. Walking COS can also be used with this feature.

Conditions

- **Hands-free Answerback applies to:**
Intercom calls and CO line calls, including calls directed to an incoming call distribution group (ICD) in UCD or Priority Hunting distribution method. (→ 10.1.2 ICD Group Features—Group Call Distribution)
- **Hands-free Answerback for CO Line Calls**
System programming is required to use this feature.
- **Hands-free Answerback for Calls From an Extension That Placed a CO Line Call on Consultation Hold**
Calls from an extension that placed a CO line call on Consultation Hold can be treated by this feature as either intercom calls or CO line calls, depending on system programming. If treated as intercom calls, the call will be established immediately.
When transferring a call from an analog CO line, users are strongly recommended to perform a screened transfer, so that the outside caller is not automatically connected to an extension using Hands-free Answerback when the extension user is absent.
Extensions that perform unscreened transfers often, such as operators, should have the Class of Service with Hands-free Answerback feature disabled. Otherwise, transferred outside calls may be automatically connected by Hands-free Answerback, even when the transfer destination is absent.
- **Secret Monitor**
The beep tone heard by the called party before answering can be eliminated through system programming.
- **Alternate Receiving/Calling Mode (Ring/Voice) Override**
Hands-free Answerback overrides the Alternate Receiving mode preset on the telephone and the Alternate Calling mode from the caller.
- **Hands-free Answerback with Headset**
The Hands-free Answerback feature can also be used with a headset.

PC Programming Manual References

- 10.3 PBX Configuration—[2-3] System—Timers & Counters—Dial / IRNA / Recall / Tone—◆ Tone Length—Reorder Tone for PT Hands-free
- 10.7.1 PBX Configuration—[2-7-1] System—Class of Service—COS Settings—Assistant—◆ Automatic Answer (Caller)
- 10.9 PBX Configuration—[2-9] System—System Options
 - Option 1—◆ PT Operation—Automatic Answer for Call from CO after
 - Option 3—◆ Confirmation Tone—Tone 2 : Paged / Automatic Answer
 - Option 4—◆ Transfer—Automatic Answer for Transferred Call
- 12.1.1 PBX Configuration—[4-1-1] Extension—Wired Extension—Extension Settings
 - Option 5—◆ Automatic Answer for CO Call
 - Option 6—◆ Forced Automatic Answer

Feature Manual References

- 4.1.22 COS (Class of Service)
- 10.1.13 Intercom Call

Operating Manual References

- 1.3.31 Hands-free Answerback

9.1.2 Hands-free Operation

Description

A proprietary telephone (PT) user can talk to another party without lifting the handset. Pressing specific buttons, such as REDIAL, automatically activate hands-free mode.

Conditions

- **PTs with the MONITOR Button**
PTs with the MONITOR button can dial in hands-free mode but cannot have hands-free conversations.

PC Programming Manual References

- 10.3 PBX Configuration—[2-3] System—Timers & Counters—Dial / IRNA / Recall / Tone—◆ Tone Length—Reorder Tone for PT Hands-free
- 12.1.1 PBX Configuration—[4-1-1] Extension—Wired Extension—Extension Settings—Option 4—◆ LCS Answer Mode

9.1.3 Headset Operation

Description

This PBX supports headset compatible proprietary telephones (PTs). A PT user can talk to another party hands-free and without lifting the handset by using an optional headset. For connection and operation, refer to the Operating Instructions for the headset. This feature is also known as Handset/Headset Selection.

Conditions

- If headset mode is on, pressing the SP-PHONE button activates the headset, not the built-in speaker.
- To set headset mode on a DPT or IP-PT, use personal programming (Headset Operation) or press the Headset button. To set headset mode on an APT, use the handset/headset selector provided on the set and/or on the headset.
- **Headset Button**
A flexible button on a DPT or IP-PT can be customized as a Headset button. It is possible to assign a Headset button to a flexible button on an APT, but the button will not function.
- **Answer/Release Button**
A flexible button can be customized as an Answer button or a Release button. Such buttons are useful for headset operation. It is possible to answer an incoming call by pressing the Answer button. While hearing a call waiting tone during a conversation, pressing the Answer button enables one to answer the second call by placing the current call on hold. Pressing the Release button enables one to disconnect the line during or after conversation, or to complete a Call Transfer.
- It is possible to change from headset mode to hands-free mode or vice versa during a conversation by pressing the Headset button.
- Headset users cannot use the following features:
 - Automatic Redial (→ 17.1.1 Redial, Last Number)
 - Receiving OHCA (DPT through a stacking connection only [→ 18.1.9 Stacking Connection])
 - Receiving Whisper OHCA (→ 22.1.4 Whisper OHCA)

PC Programming Manual References

- 9.15 PBX Configuration—[1-1] Configuration—Slot—V-IPEXT32—Port Property—Option—◆ Headset OFF/ON
- 12.1.4 PBX Configuration—[4-1-4] Extension—Wired Extension—Flexible Button—◆ Type

Feature Manual References

- 7.1.3 Flexible Buttons

Operating Manual References

- 1.3.33 Headset Operation
- 3.1.2 Personal Programming

9.1.4 HOSPITALITY FEATURES

Description

This PBX has several features that support its use in a hotel-type environment, where extensions correspond to guest rooms.

Feature	Description	Details in
Room Status Control	An extension designated as the hotel operator can set the check-in status of rooms remotely.	→ 17.1.3 Room Status Control
Remote Wake-up Call	An extension designated as the hotel operator can set a timed reminder for a room remotely.	→ 19.1.4 Timed Reminder

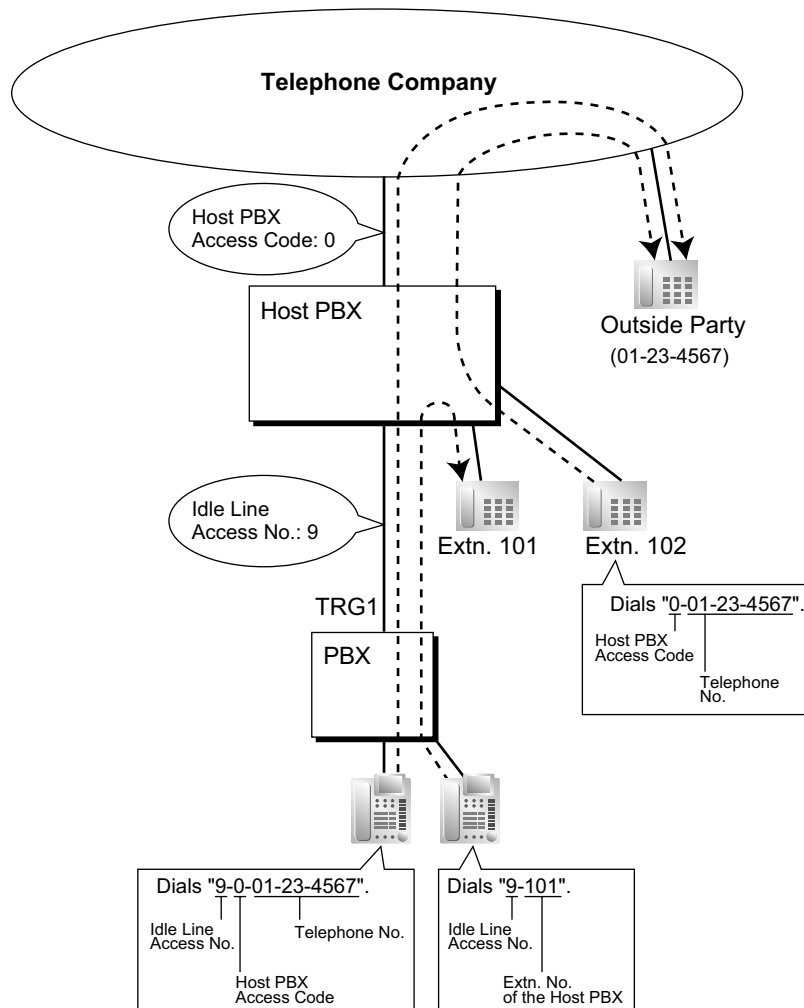
Feature	Description	Details in
SMDR for External Hotel Application	Hospitality feature data, including check-in, check-out, and timed reminder times, can be output to SMDR for use in a PC-based hotel application.	→ 18.1.4 SMDR (Station Message Detail Recording)
Hospitality Mode for Unified Messaging	Extensions whose Unified Messaging mailboxes are set to hospitality mode can be restricted to using certain features, such as listening to messages and changing the mailbox owner name.	→ 20.1.44 Unified Messaging—Hospitality Mode

9.1.5 Host PBX Access Code (Access Code to the Telephone Company from a Host PBX)

Description

This PBX can be installed behind an existing PBX (host PBX) by connecting the extension ports of the host PBX to the CO line ports of this PBX (behind PBX). A Host PBX Access code is required for the behind PBX to access the telephone company (e.g., to make outside calls) through the host PBX. The CO line access number of the host PBX should be stored as a Host PBX Access code on a trunk group of the behind PBX. A preprogrammed Pause time will be automatically inserted between the user dialed Host PBX Access code and the subsequent digits (→ 15.1.2 Pause Insertion).

[Example]



Note

In this example, "0" should be assigned as a Host PBX Access code for trunk group (TRG) 1 of this PBX.

Conditions

- **TRS**
TRS checks only the dialed telephone number excluding the Host PBX Access code when accessing the telephone company through the host PBX. (→ 19.1.5 TRS (Toll Restriction))
- **ARS**
A pause is not automatically inserted between the user-dialed access code and the subsequent digits when ARS mode is enabled. (→ 2.1.3 ARS (Automatic Route Selection))
- **SMDR**
The dialed number including the Host PBX Access code will be recorded on Station Message Detailed Recording (SMDR) only if the modified number setting is selected in the ARS setting for SMDR.
- When a Host PBX Access code is assigned to a trunk group, calls to extensions of the host PBX are not recorded on SMDR.
- A Host PBX Access Code can be used to record only long distance calls on SMDR when a CO line port is connected directly to the telephone company (not a host PBX). This is allowed when the long distance code (e.g., "0") is assigned as the Host PBX Access code. All local calls (e.g., calls that do not require a

"0" to be dialed first) are treated as extensions of the telephone company and do not get recorded on SMDR, because in this case this PBX recognizes the telephone company as the host PBX. Therefore, only long distance calls are recorded on SMDR.

PC Programming Manual References

- 11.1.1 PBX Configuration—[3-1-1] Group—Trunk Group—TRG Settings—Host PBX Access Code
- 19.1 PBX Configuration—[11-1] Maintenance—Main—SMDR Options—◆ Option—ARS Dial

Feature Manual References

- 18.1.4 SMDR (Station Message Detail Recording)
- 23.1 Capacity of System Resources

9.1.6 Hot Line

Description

An extension user can make an outgoing call by simply going off-hook, if the user has previously stored the telephone number or the extension number.

If the Hot Line feature is set and the user goes off-hook, a dial tone is generated for a specified time assigned through system programming and then dialing starts. During this waiting time the user can dial another party, overriding the Hot Line feature.

This feature is also known as Pickup Dialing.

Conditions

- **Compatible Telephone**
Proprietary telephone (PT), single line telephone (SLT), T1-OPX, and portable station (PS)

PC Programming Manual References

- 10.3 PBX Configuration—[2-3] System—Timers & Counters—Dial / IRNA / Recall / Tone—◆ Dial—Hot Line (Pickup Dial) Start
- 10.6.1 PBX Configuration—[2-6-1] System—Numbering Plan—Main—Features—◆ Hot Line (Pickup Dial) Program Set / Cancel
- 12.1.1 PBX Configuration—[4-1-1] Extension—Wired Extension—Extension Settings—Option 2
 - ◆ Pickup Dial Set
 - ◆ Pickup Dial No.
- 12.2.1 PBX Configuration—[4-2-1] Extension—Portable Station—Extension Settings—Option 2
 - ◆ Pickup Dial Set
 - ◆ Pickup Dial No.

Feature Manual References

- 23.1 Capacity of System Resources

Operating Manual References

- 1.3.35 Hot Line

Section 10

Features and Configurations—I

10.1 I

10.1.1 ICD GROUP FEATURES

Description

An incoming call distribution group is a group of extensions programmed through system programming.
 → 11.5.1.1 PBX Configuration—[3-5-1] Group—Incoming Call Distribution Group—Group Settings—Member List

An incoming call distribution group receives calls directed to the group. Each incoming call distribution group has a floating extension number (default: 6 + two-digit group number [up to group 64]).

Incoming calls directed to an incoming call distribution group are distributed to the member extensions in the group using a distribution method. When a preprogrammed number of extensions in the group are busy, the incoming calls can wait in a queue.

Each incoming call distribution group and member extensions can be programmed as desired to handle incoming calls. Calls to the group can be monitored by an extension assigned as a supervisor.

11.5.1 PBX Configuration—[3-5-1] Group—Incoming Call Distribution Group—Group Settings

→ Main

→ Overflow Queuing Busy

→ Overflow No Answer

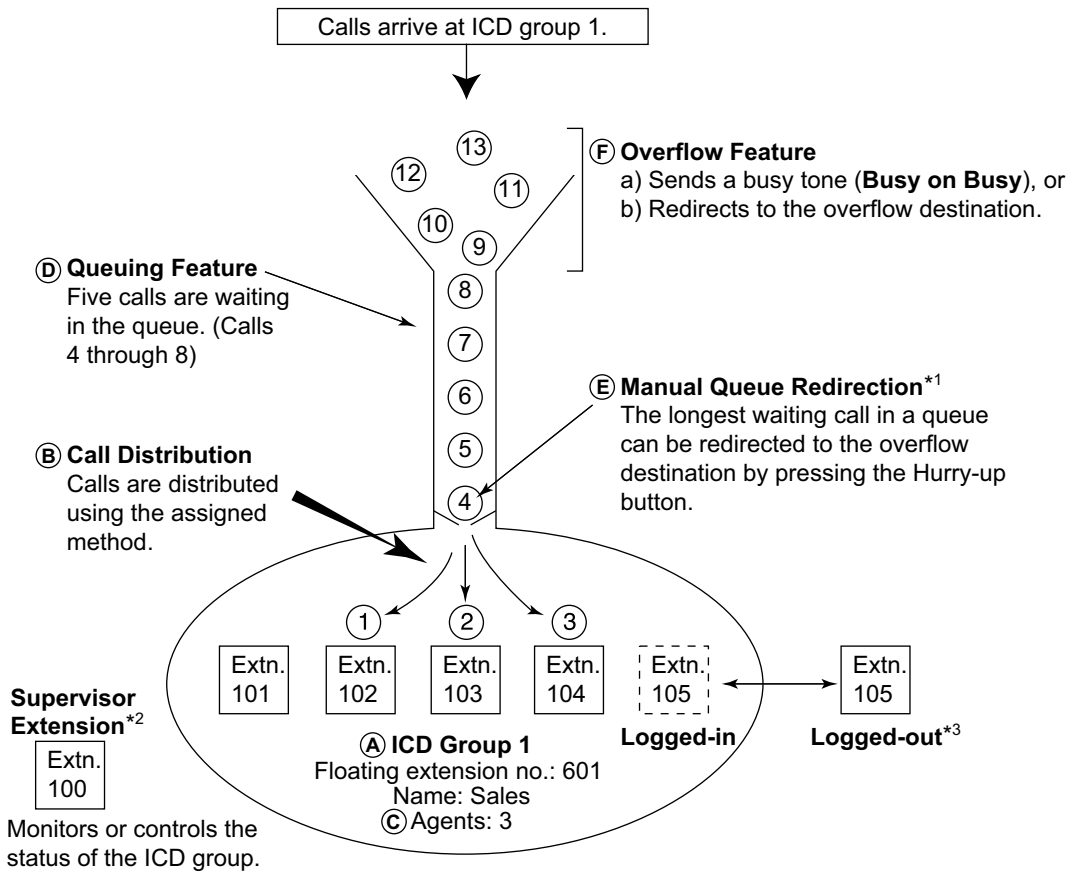
→ Miscellaneous

A		B	C	D	E	F				Tenant No. ²		
Group No.	Floating Extn. No. ¹	Group Name	Distribution Method	Max. No. of Busy Extensions (No. of Agents)	Queuing Call Capacity	Hurry-up Level	Overflow Time	Overflow Destination				
								Day	Lunch	Break	Night	
1		Sales	Ring	3	5	3	60	100	103	100	100	1
2	601	Engineering	UCD	Max.	11	8	90	200	203	200	200	5
3	602											

¹ The number of digits for **Floating Extn. No** depends on the value specified for **Numbering Plan** in Easy Setup.

→ 2.1.4 Easy Setup Wizard—PBX Setting—Select the default value of Numbering Plan

² The tenant number is required to determine the time mode (day/lunch/break/night) (→ 19.1.3 Time Service) and the music source (for Music on Hold) for each group.



*1 → 10.1.6 ICD Group Features—Queuing
*2 → 10.1.7 ICD Group Features—Supervisory
*3 → 10.1.3 ICD Group Features—Log-in/Log-out

1. Group Call Distribution [→ 10.1.2 ICD Group Features—Group Call Distribution]

Incoming calls are distributed using one of the following methods:

Distribution Method	Description
Uniform Call Distribution (UCD)	Calls are distributed evenly to a different extension each time a call is received.
Priority Hunting	An idle extension is searched for in the specified order, always starting from the same location.
Ring	All extensions in the incoming call distribution group ring simultaneously.

2. Queuing Feature [→ 10.1.6 ICD Group Features—Queuing]

If a preprogrammed numbers of extensions in an incoming call distribution group are busy, a preprogrammed number of additional calls can wait in a queue. While calls are waiting in the queue, an outgoing message (OGM) or Music on Hold can be sent to the waiting callers.

3. VIP Call [→ 10.1.8 ICD Group Features—VIP Call]

It is possible to assign a priority to incoming call distribution groups so that incoming calls can be received in priority order.

4. Overflow Feature [→ 10.1.5 ICD Group Features—Overflow]

A call is redirected to a preprogrammed destination when it cannot be answered or queued (**Intercept Routing—Overflow in an Incoming Call Distribution Group**). It is also possible to send a busy tone (**Busy on Busy**) or disconnect the line.

5. Incoming Call Distribution Group Controlling Feature

Feature		Description & Reference
Log-in/Log-out		Member extensions can join the group to handle calls (Log-in) or leave the group for a break (Log-out). They can leave the group temporarily when they are away from their desks, to prevent calls being sent to their extensions. → 10.1.3 ICD Group Features—Log-in/Log-out
Supervisory Feature	Incoming Call Queue Monitor	The supervisor extension can monitor various information about the incoming calls for each incoming call distribution group on his display. → 10.1.7 ICD Group Features—Supervisory
	Log-in/Log-out Monitor and Remote Control	Monitor: The supervisor extension can monitor the log-in/log-out status of the group members. Remote Control: The supervisor extension can change the status of the members. → 10.1.7 ICD Group Features—Supervisory

Conditions

- One extension can belong to multiple incoming call distribution groups.
- **ICD Group button**
An Incoming Call Distribution (ICD) Group button can be assigned on a flexible button for each incoming call distribution group. It receives the incoming calls to the group.
One extension can have more than one ICD Group button of the same or different incoming call distribution groups (**Multiple ICD Group**). If all ICD Group buttons in the same incoming call distribution group are occupied, the next incoming call will be held in a queue or will overflow. If the ICD Group button is not assigned, incoming calls will arrive at the INTERCOM, CO or PDN button.
The mode of ICD Group buttons can be selected through system programming, as follows:
 - Standard Mode (Group DN Button Mode)
An extension can have an ICD Group button for an incoming call distribution group that the extension does not belong to through system programming. However, the ICD Group button will not receive calls to that group.
 - Enhanced Phantom Button Mode
An extension can join an ICD Group just by creating a button for that group, even if the extension was not previously registered as a member. When the button is created, the extension will be automatically registered in the lowest-numbered available member slot for the group. Calls to the group can be received at the extension with no further programming. If no member slots are available for that group, the button cannot be created and an alarm tone will be heard.
When creating an ICD Group button in this mode, the user can also specify the delayed ringing settings. If an extension user deletes the last ICD Group button at his extension for a certain group, he will also be deregistered as a member from that group.
- **Group FWD**

The FWD feature can be assigned on an incoming call distribution group basis.

- **COS for Incoming Call Distribution Groups**

Each incoming call distribution group is assigned a COS number. Group FWD to an outside party can be enabled or disabled for each COS. The COS for incoming call distribution groups is also used for the Internal Call Block feature; when an extension user calls an incoming call distribution group, the PBX checks the COS of the calling extension against the COS of the incoming call distribution group (→ 10.1.14 Internal Call Block).

PC Programming Manual References

2.1.4 Easy Setup Wizard—PBX Setting—Select the default value of Numbering Plan

10.7.1 PBX Configuration—[2-7-1] System—Class of Service—COS Settings

→CO & SMDR—◆ Call Forward to CO

→Manager—◆ Group Forward Set

11.5.1 PBX Configuration—[3-5-1] Group—Incoming Call Distribution Group—Group Settings

→Main

→Overflow Queuing Busy

→Overflow No Answer

→Miscellaneous

11.5.1.1 PBX Configuration—[3-5-1] Group—Incoming Call Distribution Group—Group Settings—Member List

11.5.3 PBX Configuration—[3-5-3] Group—Incoming Call Distribution Group—Miscellaneous—◆ Options—ICD Group Key Mode

Feature Manual References

7.1.3 Flexible Buttons

7.1.5 Floating Extension

7.1.6 FWD (Call Forwarding)

23.1 Capacity of System Resources

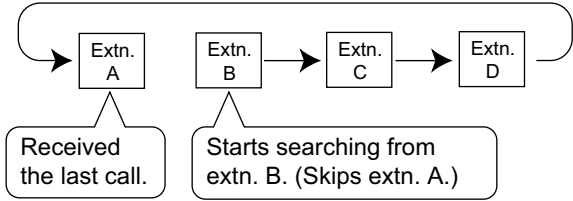
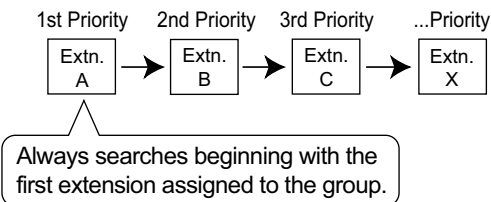
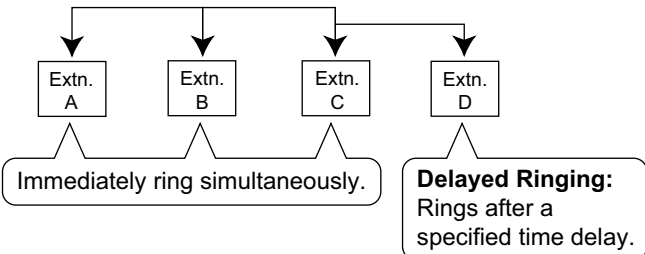
10.1.2 ICD Group Features—Group Call Distribution

Description

Incoming calls directed to an incoming call distribution group are distributed to the member extensions using the selected distribution method until a preprogrammed number of extensions (agents) are busy with calls. When incoming calls exceed the number of available extensions, calls enter a queue (→ 10.1.6 ICD Group Features—Queuing).

1. Distribution Method

One of the three distribution methods below can be assigned to each incoming call distribution group.

Distribution Method	Description
<p>Uniform Call Distribution (UCD)</p>	<p>Calls are distributed evenly to a different extension each time a call is received. Extensions are hunted in a circular way in the preprogrammed order for the group, starting at the extension after the extension that received the last call.</p>  <p>Depending on system programming, calls can be directed to the longest idle extension. This is known as Automatic Call Distribution (ACD).</p>
<p>Priority Hunting</p>	<p>An idle extension is searched for using the preprogrammed order for the group.</p> 
<p>Ring</p>	<p>All extensions in the group ring simultaneously.</p> <p>Delayed Ringing: Delayed ringing or no ringing can be programmed for each extension in the group. The call can be answered by pressing the flashing button even if no ring or a delayed time is set.</p> 

2. Call Waiting for Incoming Call Distribution Group (Group Call Waiting)

When there are no available extensions in an incoming call distribution group, the group members can receive the Call Waiting tone. To use this feature:

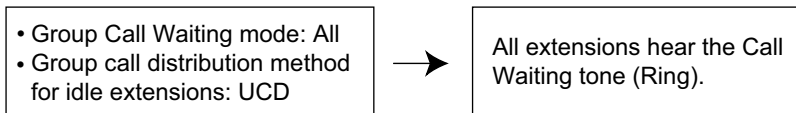
- Select the Group Call Waiting mode through system programming. This determines the distribution method for waiting calls.
- Member extensions must assign the Call Waiting mode individually, or they will not be notified. (→ 4.1.11 CALL WAITING FEATURES)

[How the Group Call Waiting Feature Activates]

Programming Conditions		Result	
Group Call Waiting Mode	Group Call Distribution Method	Group Call Waiting Distribution Method	Capable Telephone
Distribution	UCD	UCD	PT/PS with idle
	Priority Hunting	Priority Hunting	ICD Group button
	Ring	Not available*	Any telephone
All	UCD/Priority Hunting/Ring	Ring	

* Incoming calls enter the queue immediately. Member extensions do not receive the Call Waiting tone.

[Example]



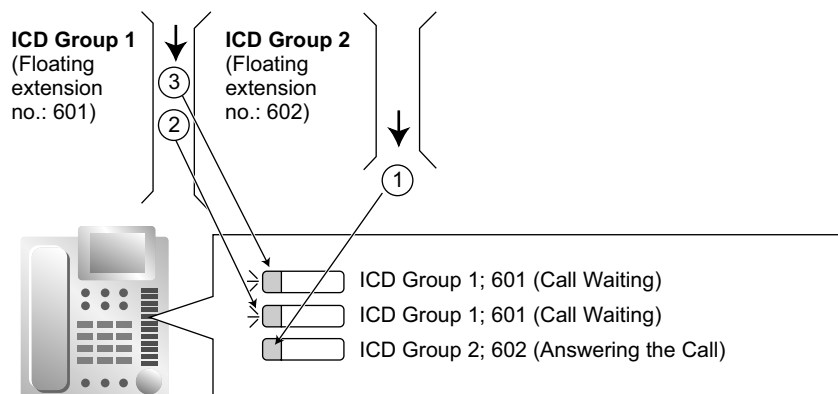
[ICD Group Button for Group Call Waiting]

The way that the Group Call Waiting feature works depends on the Group Call Waiting Distribution method as follows:

- a. **Ring:** The Group Call Waiting feature activates for all busy member extensions (even when the extensions do not have ICD Group buttons) simultaneously for only one incoming call—additional calls will wait in a queue.
- b. **UCD/Priority Hunting:** The Group Call Waiting feature activates on an idle ICD Group button located on busy member extensions in a certain order. (This order depends on the type: UCD or Priority Hunting.) Calls will arrive at idle buttons until all ICD Group buttons are occupied—additional calls will wait in a queue.

Note

In method b), if an extension has one or more ICD Group buttons for an incoming call distribution group and all the ICD Group buttons on the extension are occupied, the Group Call Waiting feature for the group will not work at the extension.



3. No Reply Redirection (UCD or Priority Hunting Method)

If a call received at a member extension is not answered within a preprogrammed time period (No Answer time), the call will be redirected to the next member extension. If there is no idle group member, the call queues at the target extension until a group member becomes available.

Conditions

- **FWD/DND Extension**
System programming for each incoming call distribution group is required to skip or ring extensions which have the FWD or DND feature set. If set to ring, the FWD/DND settings are ignored. (→ 5.1.11 DND (Do Not Disturb), → 7.1.6 FWD (Call Forwarding))
- The Group Call Waiting feature cannot be used with the VIP Call feature (→ 10.1.8 ICD Group Features—VIP Call) and/or Wrap-up feature (→ 10.1.3 ICD Group Features—Log-in/Log-out). To use the VIP Call feature and/or Wrap-up feature, Call Waiting mode on each extension should be off.

PC Programming Manual References

- 11.1.1 PBX Configuration—[3-1-1] Group—Trunk Group—TRG Settings—Main—◆ Line Hunting Order
- 11.5.1 PBX Configuration—[3-5-1] Group—Incoming Call Distribution Group—Group Settings
 - Main—◆ Distribution Method
 - Main—◆ Call Waiting Distribution
 - Miscellaneous—◆ Extension No Answer Redirection Time
 - Miscellaneous—◆ Maximum No. of Busy Extension
- 11.5.1.1 PBX Configuration—[3-5-1] Group—Incoming Call Distribution Group—Group Settings—Member List—◆ Delayed Ring
- 11.5.3 PBX Configuration—[3-5-3] Group—Incoming Call Distribution Group—Miscellaneous
 - ◆ Options—Wrap-up Timer based on
 - ◆ Options—Longest Idle Distribution

10.1.3 ICD Group Features—Log-in/Log-out

Description

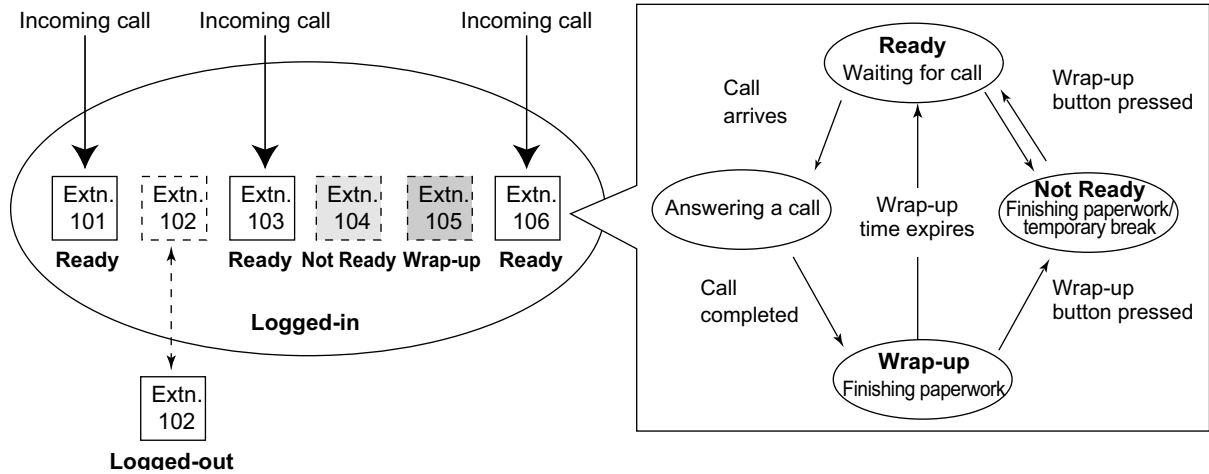
Members of an incoming call distribution group can join (Log-in) or leave (Log-out) the group manually. They can leave the group temporarily when they are away from their desks, to prevent calls being sent to their extensions. They can return to the group when they are ready to answer calls.

Wrap-up:

While logged in, a member extension can have a preprogrammed time period automatically for refusing calls after completing the previous call (Wrap-up time). While the Wrap-up timer is active, calls to all incoming call distribution groups to which the extension belongs will skip the extension so that the extension user can perform necessary tasks such as reporting on the previous call.

Wrap-up mode can also be activated manually (Not Ready) by pressing the Wrap-up button.

[Log-in/Log-out and Wrap-up Status Example]



Conditions

- It is programmable whether the last remaining logged-in extension can log out.
- **Log-in/Log-out Button**
A flexible button can be customized as the Log-in/Log-out button with the following parameters:

Parameter	Usage	Light Pattern	
		Red on	Off
No parameter	Used with an ICD Group button, or with the floating extension number of an incoming call distribution group, or with * (All).	—	—
Floating extension number of a specified incoming call distribution group	Used to log in to or out of the specified incoming call distribution group.	Log-out Status	Log-in Status
* (All)	Used to log in to or out of all incoming call distribution groups to which the extension user belongs.	After Log-out Operation	After Log-in Operation

- If an ICD Group button is assigned, it also shows the log-in/log-out status of the corresponding group. The light pattern is the same as the Log-in/Log-out button that includes the group number.
- **Wrap-up Timer**
 - Two wrap-up timers can be programmed, an ICD Group member wrap-up timer and an extension wrap-up timer. System programming selects which timer is used. When the ICD Group member wrap-up timer is selected, the timer is only activated after calls to the extension through an ICD Group. When the extension wrap-up timer is selected, the timer is activated after all calls to or from the extension, including a retrieved call on hold.
 - Only calls from ICD Groups cannot be received during the wrap-up time. Other calls are received as normal.
 - The wrap-up timer does not work for SIP extensions or PS Ring Groups.
- **Wrap-up Button**

A flexible button can be customized as the Wrap-up button. It shows the current status as follows:

Light pattern	Status
Slow red flashing	Wrap-up
Red on	Not Ready
Off	Ready (Wrap-up mode cancel)

- When a PS in Wireless XDP Parallel Mode completes a call, neither the PS nor its wired telephone can have Wrap-up time. (→ 22.1.5 Wireless XDP Parallel Mode)
- **Automatic Log-out**
A member extension may be logged out automatically, if the Unanswered time expires a preprogrammed number of times consecutively. The number of consecutive unanswered calls can be assigned for each incoming call distribution group. If the extension is a member of more than one incoming call distribution group, the unanswered number is counted across all corresponding incoming call distribution groups. It is possible to return to log-in mode manually.
The Automatic Log-out feature does not work for extensions in an incoming call distribution group using the Ring distribution method (→ 10.1.2 ICD Group Features—Group Call Distribution).
- **Log-in/Log-out Monitor**
The supervisor extension can monitor and control the log-in/log-out status of the incoming call distribution group members. (→ 10.1.7 ICD Group Features—Supervisory)
- **Log-in/Log-out Information on SMDR**
Log-in/Log-out information can be printed out on SMDR. (→ 18.1.4 SMDR (Station Message Detail Recording))

PC Programming Manual References

- 10.6.1 PBX Configuration—[2-6-1] System—Numbering Plan—Main—Features
 - ♦ Log-in / Log-out
 - ♦ Not Ready (Manual Wrap-up) Mode On / Off
- 11.5.1 PBX Configuration—[3-5-1] Group—Incoming Call Distribution Group—Group Settings—Miscellaneous
 - ♦ No. of Unanswered Calls for Automatic Log-out
 - ♦ Last Extension Log-out
- 11.5.1.1 PBX Configuration—[3-5-1] Group—Incoming Call Distribution Group—Group Settings—Member List—♦ Wrap-up Timer
- 11.5.3 PBX Configuration—[3-5-3] Group—Incoming Call Distribution Group—Miscellaneous—♦ Options—Wrap-up Timer based on
- 12.1.1 PBX Configuration—[4-1-1] Extension—Wired Extension—Extension Settings—Option 8—♦ Wrap-up Timer
- 12.1.4 PBX Configuration—[4-1-4] Extension—Wired Extension—Flexible Button
 - ♦ Type
 - ♦ Parameter Selection (for Log-in/Log-out)
 - ♦ Extension Number (for Log-in/Log-out)
- 12.2.1 PBX Configuration—[4-2-1] Extension—Portable Station—Extension Settings—Option 8—♦ Wrap-up Timer
- 12.2.3 PBX Configuration—[4-2-3] Extension—Portable Station—Flexible Button
 - ♦ Type
 - ♦ Parameter Selection (for Log-in/Log-out)
 - ♦ Extension Number (for Log-in/Log-out)
- 19.1 PBX Configuration—[11-1] Maintenance—Main—SMDR—♦ Print Information—Log-in / Log-out

Feature Manual References

7.1.3 Flexible Buttons

Operating Manual References

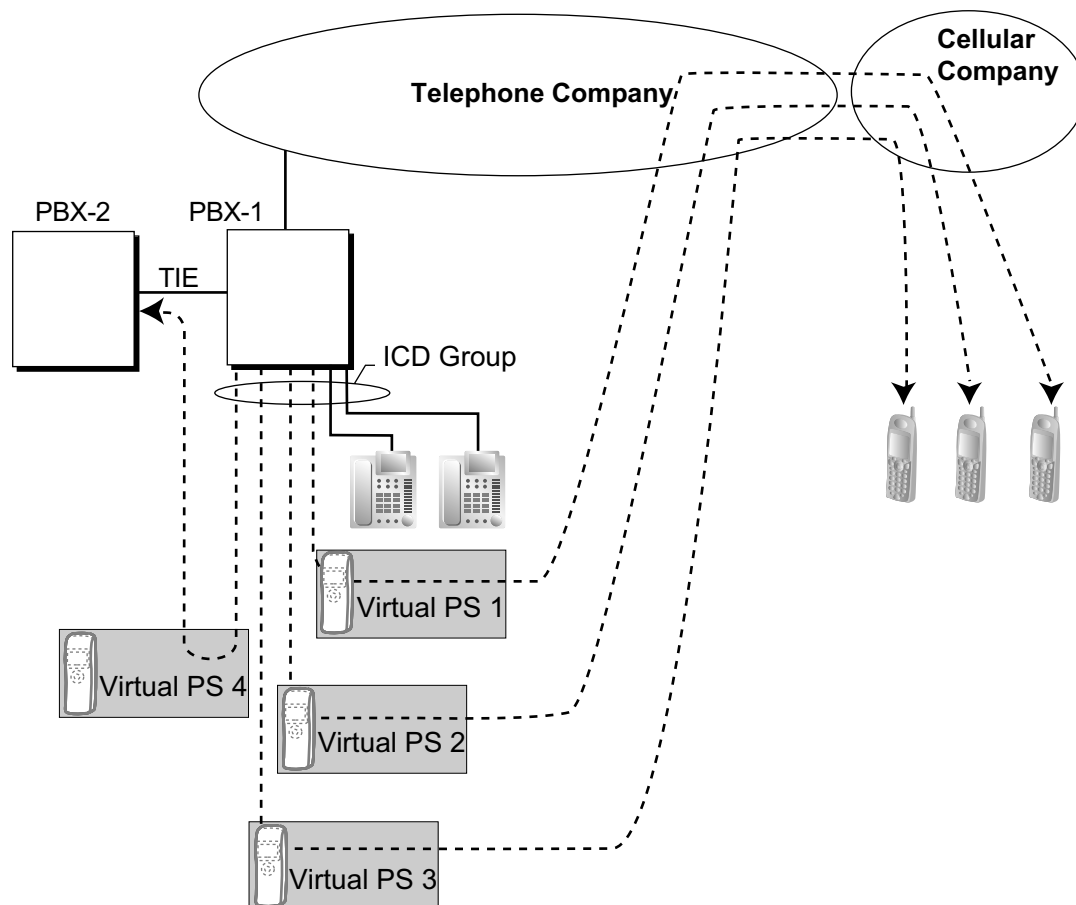
1.3.39 ICD Group Features—Log-in/Log-out

10.1.4 ICD Group Features—Outside Destinations

Description

Up to 4 outside parties or destinations at another PBX can be assigned as members of an Incoming Call Distribution (ICD) Group, using the following method: A virtual PS is registered as a member of the ICD Group. Then, the telephone number of the outside destination is specified as the FWD—All Calls destination. Calls to the ICD Group will also ring at the outside destination as if that destination were an extension within the PBX. This is useful in situations such as the following:

- An extension user can have his PT and multiple cellular phones ring together for calls.
- An employee who is not in the office, but is still available to answer calls, can receive calls to an ICD Group.



Cellular Phone XDP Parallel

The extension registered first in an ICD Group can program the Forward settings for CO line calls to up to 4 virtual PSs through PT programming. Using this feature, an extension user can assign his cellular phone to ring with his PT, so that he can easily receive CO line calls even when not at his desk.

Conditions

- KX-NSE101, KX-NSE105, KX-NSE110 or KX-NSE120 (Activation Key for Mobile Extension) is required to use this feature. One activation key is required for each extension (virtual PS) that will use this feature.
- For this feature to be activated, the following conditions must be met:
 - A virtual PS is assigned as a member of the ICD Group. (→ 21.1.2 Virtual PS)
 - The **Mobile Extension** setting for the virtual PS extension must be set to **Enable**.
 - The forwarding type of the virtual PS is set to All Calls. (→ 7.1.6 FWD (Call Forwarding))
 - The forwarding destination is an outside party, including an extension at another PBX in the network.
 - FWD to CO line is allowed through COS programming for the virtual PSs.
- Up to 4 virtual PSs can be assigned to a single ICD Group. If more than 4 are assigned, the 4 virtual PSs with the lowest member numbers are available.
- ELCOT/LCOT CO lines and channels of a T1 CO line set to LCOT do not support this feature.
- Calls to an ICD Group will ring at a virtual PS even if all of the other extensions assigned to the group are busy.
- If all members of an ICD Group are virtual PSs, and CO lines are available but the called parties are all busy, neither the queuing or overflow features will operate. Therefore, it is recommended that at least one PT or SLT is also assigned to an ICD Group.
- To log in to or out of a group, a virtual PS user can access the PBX through DISA, enter the Walking COS feature number (if required), and access log-in/log-out settings.
- Delayed ringing can be assigned for virtual PSs in the same way as for other extensions.
- The wrap-up time feature and Automatic Log-out feature are not available for virtual PSs.
- When forwarding calls to a public CO line, system programming selects whether the CLIP number of the calling party or of the virtual PS is sent to the forward destination. When calling using a private network, the CLIP number of the calling party will always be sent.
- **DSS button for Cellular Phone XDP Parallel**
The DSS button light of the extension registered first in an ICD Group will turn red if the parallel cellular phone:
 - is on a CO line call that was received via the ICD Group.
 - is on a CO line call that was made using the Walking COS Through DISA feature. (→ 5.1.9 DISA (Direct Inward System Access))

PC Programming Manual References

- 9.30 PBX Configuration—[1-2] Configuration—Portable Station—PS Registration and De-registration
- 10.7.1 PBX Configuration—[2-7-1] System—Class of Service—COS Settings—CO & SMDR—◆ Call Forward to CO
- 10.9 PBX Configuration—[2-9] System—System Options—Option 4
 - ◆ Send CLIP of CO Caller—when call is forwarded to CO
 - ◆ Send CLIP of Extension Caller—when call is forwarded to CO
- 11.5.1 PBX Configuration—[3-5-1] Group—Incoming Call Distribution Group—Group Settings—Main
 - ◆ Floating Extension Number
 - ◆ Distribution Method
- 11.5.1.1 PBX Configuration—[3-5-1] Group—Incoming Call Distribution Group—Group Settings—Member List
 - ◆ Extension Number
 - ◆ Delayed Ring
- 12.1.1 PBX Configuration—[4-1-1] Extension—Wired Extension—Extension Settings—Option 9—◆ Mobile Extension
- 12.2.2 PBX Configuration—[4-2-2] Extension—Portable Station—FWD/DND

Feature Manual References

- 15.1.15 Private Network Features—Network ICD Group
- 21.1.2 Virtual PS

10.1.5 ICD Group Features—Overflow

Description

When waiting calls exceed the waiting queue capacity, they may be redirected to a preprogrammed destination or a busy tone may be sent to the callers by the following features:

1. Intercept Routing—Overflow in an Incoming Call Distribution Group
2. Busy on Busy

1. Intercept Routing—Overflow in an Incoming Call Distribution Group

Intercept Routing—Overflow in an Incoming Call Distribution Group works in one of following conditions:

- a. There is no space in the waiting queue.
- b. The Queuing Time Table is not assigned and there are no extensions logged in.
- c. An Overflow command is assigned to the Queuing Time Table.
- d. The Overflow time expires.
- e. Manual Queue Redirection is performed.

[Available Destination]

The overflow destinations can be assigned for each incoming call distribution group and each time mode (day/lunch/break/night) (→ 19.1.3 Time Service). The destination can be assigned as follows, depending on the above conditions.

- For a) and b):
→ 11.5.1 PBX Configuration—[3-5-1] Group—Incoming Call Distribution Group—Group Settings—Overflow Queuing Busy—◆ Queuing Busy—Destination-Day, Lunch, Break, Night
- For c), d), and e):
→ 11.5.1 PBX Configuration—[3-5-1] Group—Incoming Call Distribution Group—Group Settings—Overflow No Answer—◆ Time out & Manual Queue Redirection—Destination-Day, Lunch, Break, Night

Destination	Availability
Wired Extension (PT/SLT/SIP Extension/T1-OPX)	✓
PS	✓
ICD Group	✓
PS Ring Group	✓
UM Group	✓
VM Group (DTMF/DPT)	✓
Fax Unit	
External Pager (TAFAS)	✓
DISA	✓
Idle Line Access no. + Phone no.	✓
Trunk Group Access no. + Trunk Group no. + Phone no.	✓

Destination	Availability
Extension of Another PBX (via TIE Line, Access with PBX Code)	✓
Extension of Another PBX (via TIE Line, Access without PBX Code)	✓

2. Busy on Busy

The Busy on Busy feature works when the destination for the Intercept Routing—Overflow in an Incoming Call Distribution Group feature is not assigned in one of the following conditions:

- a. There is no space in the Waiting queue.
- b. The Queuing Time Table is not assigned and there are no extensions logged-in.

[Example of a)]

There are five assistants in a shop. When the answering agent number is "2", and the queuing call number is "0":

If two of the assistants are talking on the phone, the next caller will hear a busy tone to prevent the caller from thinking that there is no one in the shop or that the shop is closed.

Conditions

[Intercept Routing—Overflow in an Incoming Call Distribution Group]

- **If the Overflow time expires, and the overflow destination is unavailable:**
 - a. If the CO line call arrives through the ELCOT/LCOT or T1 (LCOT/GCOT) card:
 - (1) If the call was once in a queue and an outgoing message (OGM) was sent to it, or the call reached an incoming call distribution group by using the DISA feature (→ 5.1.9 DISA (Direct Inward System Access)): The line is disconnected.
 - (2) In all other cases: Redirection is ignored and the Overflow timer activates again.
 - b. If the call arrives through another card: Redirection is ignored and the Overflow timer activates again.

[Busy on Busy]

- If a CO line call arrives through the ELCOT/LCOT or T1 (LCOT/GCOT) card, a busy tone will not be sent to the caller.

PC Programming Manual References

- 11.5.1 PBX Configuration—[3-5-1] Group—Incoming Call Distribution Group—Group Settings
 - Overflow Queuing Busy
 - Overflow No Answer
- 11.5.2 PBX Configuration—[3-5-2] Group—Incoming Call Distribution Group—Queuing Time Table

Feature Manual References

- 10.1.6 ICD Group Features—Queuing

10.1.6 ICD Group Features—Queuing

Description

When a preprogrammed number of extensions in an incoming call distribution group are busy, additional incoming calls can wait in a queue. The number of calls which can wait in the queue is programmable.

While calls are waiting in the queue, the calls are handled by the Queuing Time Table, which can be assigned for each time mode (day/lunch/break/night) (→ 19.1.3 Time Service). This PBX supports a specified number of Queuing Time Tables which each have a specified number of sequences (specific commands which are performed when a caller enters a queue). The following commands can be assigned to each sequence when making a Queuing Time Table:

[Command Table]

Command	Description	Condition
OGM xx	An outgoing message is sent to the caller. "xx" applies to the OGM number.	After the OGM, Music on Hold will be sent and the next event in the sequence will be activated.
Wait	The caller waits for the specified time while hearing a ringback tone or Music on Hold.	If an OGM has not been sent to the caller, the caller hears a ringback tone. If an OGM has been sent to the caller, the caller hears Music on Hold.
Sequence c	Redirects to sequence c. "c" applies to the sequence number.	None
Overflow	Redirects to the overflow destination.	None
Disconnect	Disconnects the line.	None
None (No command)	Redirects to the next sequence.	If assigned as sequence 01, the Queuing Time Table will not be activated.

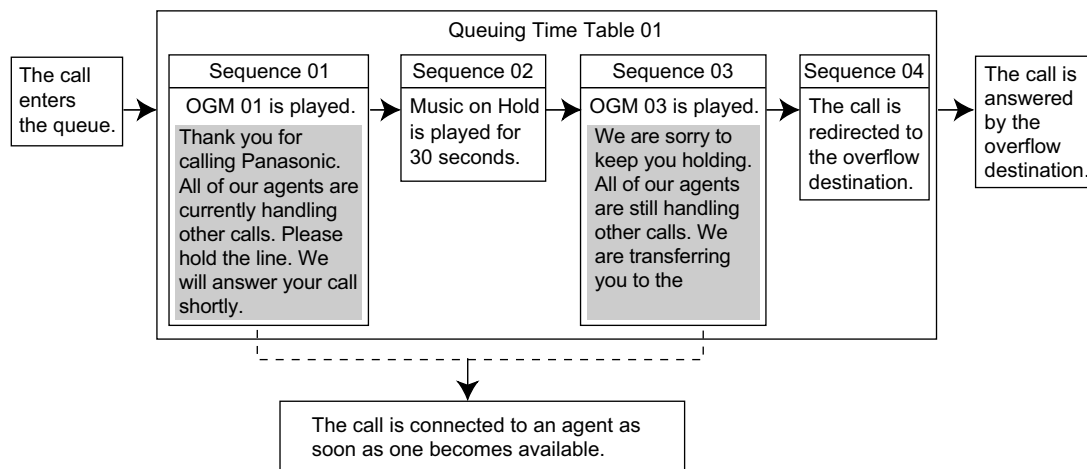
[Programming Example of Queuing Time Table]

Queuing Time Table No.	Sequence ^{*1}				
	Sequence 01	Sequence 02	Sequence 03	Sequence 04	...
01	OGM 01	Wait 30 s	OGM 03	Overflow	
02 ^{*2}	OGM 02	Wait 30 s	OGM 04	None	
03					
:	:	:	:	:	:

*1 → 11.5.2 PBX Configuration—[3-5-2] Group—Incoming Call Distribution Group—Queuing Time Table—◆ Queuing Sequence—Sequence 01–16

*2 If a call has not reached a destination by the time the final sequence is completed, the call will be disconnected.

Explanation for Queuing Time Table 01:



Conditions

- **If the call is transferred to the incoming call distribution group and is handled by the Queuing Time Table:**
Transfer Recall will not occur even if the Transfer Recall time expires.
- **Manual Queue Redirection**
It is possible to redirect the longest waiting call in a queue to the overflow destination by pressing the Hurry-up button. (If the call is already ringing at an extension, it will not be redirected.) This feature is also known as Hurry-up Transfer.
- **Hurry-up Button**
A flexible button can be customized as the Hurry-up button. The number of calls queuing before Manual Queue Redirection may be performed is programmable. The button shows the current status as follows:

Light Pattern	Calls in the Waiting Queue
Off	No queued call
Red on	At or under the assigned number for Hurry-up
Rapid red flashing	Over the assigned number for Hurry-up

PC Programming Manual References

- 10.6.1 PBX Configuration—[2-6-1] System—Numbering Plan—Main—Features—◆ Incoming Call Queue Monitor
- 11.5.1 PBX Configuration—[3-5-1] Group—Incoming Call Distribution Group—Group Settings
 - Overflow Queuing Busy
 - Overflow No Answer
 - Queuing Time Table
 - Miscellaneous—◆ Extension No Answer Redirection Time
 - Miscellaneous—◆ Maximum No. of Busy Extension
- 11.5.2 PBX Configuration—[3-5-2] Group—Incoming Call Distribution Group—Queuing Time Table
- 11.7.1 PBX Configuration—[3-7-1] Group—UM Group—System Settings—◆ Call Waiting on VM Group
- 12.1.4 PBX Configuration—[4-1-4] Extension—Wired Extension—Flexible Button
 - ◆ Type
 - ◆ Extension Number (for Hurry-up)

12.2.3 PBX Configuration—[4-2-3] Extension—Portable Station—Flexible Button

- ◆ Type
- ◆ Extension Number (for Hurry-up)

Feature Manual References

- 7.1.3 Flexible Buttons
- 10.1.5 ICD Group Features—Overflow
- 14.1.2 OGM (Outgoing Message)
- 23.1 Capacity of System Resources

Operating Manual References

- 1.3.41 ICD Group Features—Manual Queue Redirection

10.1.7 ICD Group Features—Supervisory

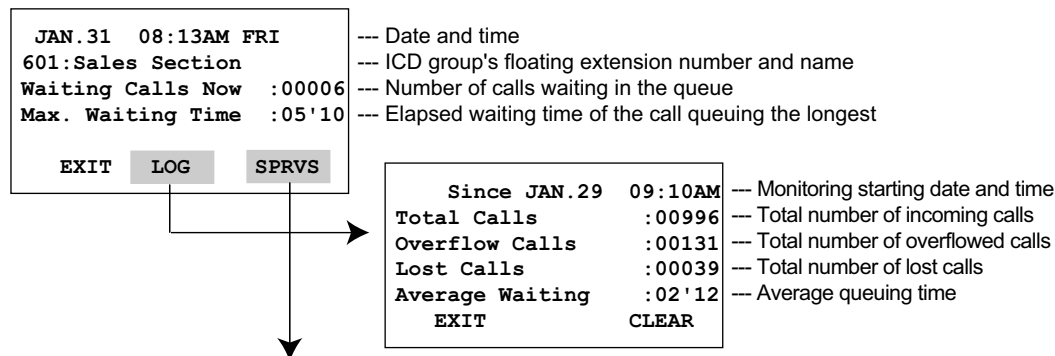
Description

An extension preprogrammed as a supervisor (supervisor extension) can monitor and control each member's status within the incoming call distribution group using a 6-line display PT.

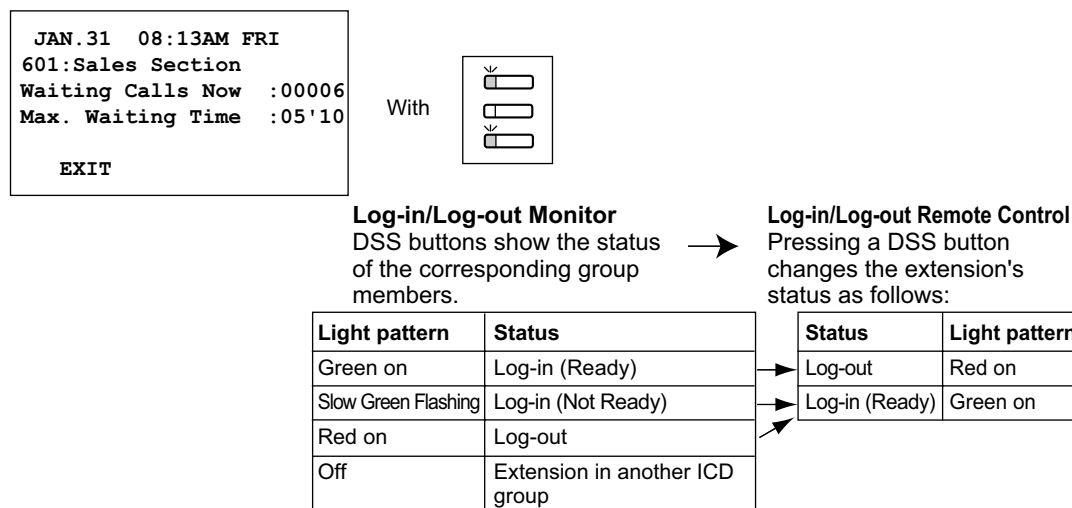
Feature	Description
Incoming Call Queue Monitor	The supervisor extension can monitor the status of an incoming call distribution group with the display.
Log-in/Log-out Monitor and Remote Control	<p>Monitor: The supervisor extension can monitor the log-in/log-out status of the incoming call distribution group members through the corresponding DSS button light.</p> <p>Remote Control: The supervisor extension can change the status of the members by pressing the corresponding DSS button.</p>

[Example]

<Incoming Call Queue Monitor Display>



<Log-in/Log-out Monitor/Remote Control Mode with DSS Button light>



Conditions

- **Available Extension as a Supervisor Extension**
 - a. One supervisor extension can be assigned for each incoming call distribution group, but it need not belong to the group.
 - b. One extension can be the supervisor extension of more than one incoming call distribution group.
- **Available Paired DSS Console**
 This feature is available for the KX-T7640, KX-T7440, and KX-T7441.
- **Accumulation Value Clear**
 Accumulation value data (total incoming calls, total overflowed calls, lost calls, average queuing time) can be cleared manually. The date and time of clearing is saved and is shown on the display (monitoring starting date and time). When the value exceeds 99999 before clearing, "*****" will be shown.
- **If a call to an incoming call distribution group is overflowed:**
 If the display is in idle status, it will change to monitor mode for the corresponding incoming call distribution group automatically.
 If the display is monitoring another incoming call distribution group, it will not change.
- **Other Features while in Monitor Mode**
 The supervisor can use other features on the extension (making calls, pressing the MESSAGE button, etc.) even while in monitor mode. When each operation is finished, his telephone returns to the queue monitor display.

PC Programming Manual References

- 10.6.1 PBX Configuration—[2-6-1] System—Numbering Plan—Main—Features—◆ Incoming Call Queue Monitor
- 11.5.1 PBX Configuration—[3-5-1] Group—Incoming Call Distribution Group—Group Settings—Miscellaneous—◆ Supervisor Extension Number

Operating Manual References

- 1.3.42 ICD Group Features—Supervisory

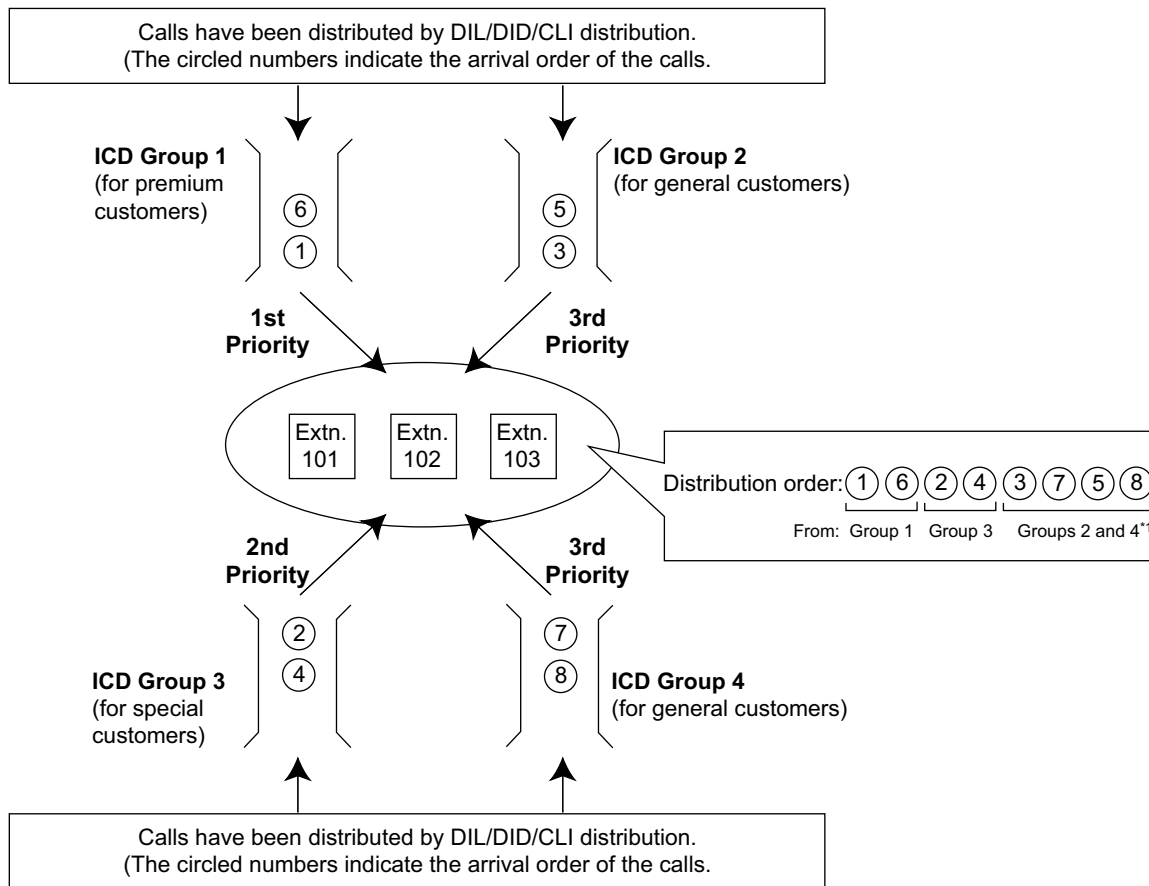
10.1.8 ICD Group Features—VIP Call

Description

It is possible to assign a priority to incoming call distribution groups. If an extension belongs to multiple groups and the extension becomes idle, queuing calls in the groups will be distributed to the extension in priority order. Each incoming call distribution group can enable or disable the VIP Call mode. When multiple groups enable the VIP Call mode, the incoming call distribution group with the lowest numbered group has the highest priority. When multiple groups disable the VIP Call mode, queuing calls are distributed, one from each ICD group in turn, irrespective of the order in which calls were received.

[Example]

In the call center, incoming call distribution groups 1 and 3 enable the VIP Call mode, while incoming call distribution groups 2 and 4 disable the VIP Call mode.



*1 After call 3 is distributed from group 2, call 7 will be distributed from group 4 next, even though call 5 arrived earlier.

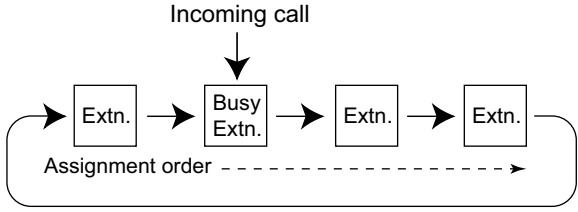
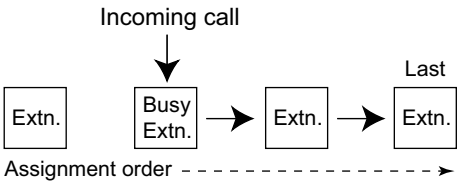
PC Programming Manual References

11.5.1 PBX Configuration—[3-5-1] Group—Incoming Call Distribution Group—Group Settings—Miscellaneous—◆ VIP Call Mode

10.1.9 Idle Extension Hunting

Description

If a called extension is busy or in DND mode, Idle Extension Hunting redirects the incoming call to an idle member of the same idle extension hunting group, which can be programmed through system programming. Idle extensions are automatically searched according to a preprogrammed hunting type. This feature is also known as Station Hunting.

Type	Description
Circular Hunting	<p>An idle extension is searched for in the order specified in the idle extension hunting group in a circular way.</p> 
Terminated Hunting	<p>An idle extension is searched for in the order specified in the idle extension hunting group until reaching the last assigned extension.</p> 

Conditions

- **Idle Extension Hunting applies to:**
Intercom, CO line, and doorphone calls to a single destination.
- An extension user can belong to only one idle extension hunting group.
- **If all the searched extensions are busy:**
The PBX redirects the call to an overflow destination which can be assigned for each idle extension hunting group and each time mode (day/lunch/break/night) (→ 19.1.3 Time Service).

[Available Destination]

Destination	Availability
Wired Extension (PT/SLT/SIP Extension/T1-OPX)	✓
PS	✓
ICD Group	✓
PS Ring Group	✓
UM Group	✓
VM Group (DTMF/DPT)	✓
Fax Unit	
External Pager (TAFAS)	✓
DISA	✓
Idle Line Access no. + Phone no.	✓
Trunk Group Access no. + Trunk Group no. + Phone no.	✓
Extension of Another PBX (via TIE Line, Access with PBX Code)	✓

10.1.10 INCOMING CALL FEATURES

Destination	Availability
Extension of Another PBX (via TIE Line, Access without PBX Code)	✓

- **FWD/DND Mode**

While searching for an idle extension within an idle extension hunting group, any extension that has set FWD—All Calls or DND feature will be skipped, and the call will go to the next extension in the group.

PC Programming Manual References

11.6 PBX Configuration—[3-6] Group—Extension Hunting Group

11.6.1 PBX Configuration—[3-6] Group—Extension Hunting Group—Member List

Feature Manual References

5.1.11 DND (Do Not Disturb)

7.1.6 FWD (Call Forwarding)

23.1 Capacity of System Resources

10.1.10 INCOMING CALL FEATURES

Description

Each CO line functions as either a public line or a private line. Private lines are used to connect different PBXs and form a private network (→ 15.1.12 PRIVATE NETWORK FEATURES), while public lines connect a PBX to a public network, i.e., the telephone company. Certain PBX features are available depending on the networking type (public or private) of each CO line.

1. Networking Type Used by Each CO Line

Each CO line port (channel) of a CO line card or the mother board is assigned a port (channel) type which determines the CO line's networking type—public or private.

18.2 PBX Configuration—[10-2] CO & Incoming Call—DIL Table & Port Settings—DIL—◆ Trunk Property

Card Type	Port/Channel/ Protocol Type	Networking Type	
		Public	Private
Mother Board (V-IPGW)	H.323		✓
Mother Board (V-SIPGW)	SIP	✓	
ELCOT/LCOT	—	✓	
T1	LCOT	✓	
	GCOT	✓	
	DID	✓	
	TIE (E&M)	✓	✓
	OPX (EXTN.)		
PRI	CO	✓	
	Extension		
	QSIG-Master		✓
	QSIG-Slave		✓

✓ : Default
 ✓ : Available

2. Distribution Method

Each public CO line port (channel) can use a different method of directing calls to their destinations as they are received.

Distribution Method	Description	Details in
Direct In Line (DIL)	Directs a call to a preprogrammed destination, such as an operator, based on the CO line carrying the call.	→ 5.1.8 DIL (Direct In Line)
Direct Inward Dialing (DID)	Directs a call received on a DID line to a preprogrammed destination based on the telephone number dialed by the caller.	→ 5.1.7 DID (Direct Inward Dialing)

Calling Line Identification (CLI) distribution is the most customizable call distribution method available. It allows calls from specific people to be directed to specific destinations, based on the callers' telephone numbers. CLI distribution, when enabled for the current time mode, takes precedence over DIL or DID distribution.

Distribution Method	Description	Details in
Calling Line Identification (CLI) Distribution	Directs a call to its preprogrammed destination if the caller's telephone number and its CLI destination has been stored in the System Speed Dialing Table.	→ 4.1.14 CLI (Calling Line Identification) Distribution

3. Available Distribution Method for Public CO Lines

Card Type	Port/Channel Type	Distribution Method	
		DIL	DID
Mother Board (V-SIPGW)	—	✓	✓
ELCOT/LCOT	—	✓	
T1	LCOT	✓	
	GCOT	✓	
	DID	✓	✓
	TIE (E&M)	✓	✓
PRI	CO	✓	✓

✓ : Default

✓ : Available

4. Available Destination

The following destination types can be programmed as DIL, DID, or CLI destinations.

Destination Type	Availability
Wired Extension (PT/SLT/SIP Extension/T1-OPX)	✓
PS	✓
ICD Group	✓
PS Ring Group	✓
UM Group	✓

Destination Type	Availability
VM Group (DTMF/DPT)	✓
Fax Unit	✓
External Pager (TAFAS)	✓
DISA	✓
Idle Line Access no. + Phone no.	
Trunk Group Access no. + Trunk Group no. + Phone no.	
Extension of Another PBX (via TIE Line, Access with PBX Code)	
Extension of Another PBX (via TIE Line, Access without PBX Code)	✓

5. Intercept Routing

After a call has been directed to its DIL, DID, or CLI destination, the following Intercept Routing features, if programmed, can redirect the call.

Type	Description	Details in
No Answer (IRNA)	If a called party does not answer a call within a preprogrammed time period (Intercept time), the call is redirected to a preprogrammed destination.	→ 10.1.11 Intercept Routing
Busy	If a called party is already handling another call, the new call is redirected to a preprogrammed destination.	
DND	If a called party is in Do Not Disturb (DND) mode, the call is redirected to a preprogrammed destination.	
No Destination	If a destination is not assigned, the call is redirected to an operator.	→ 10.1.12 Intercept Routing—No Destination

PC Programming Manual References

18.2 PBX Configuration—[10-2] CO & Incoming Call—DIL Table & Port Settings—DIL—◆ Trunk Property

10.1.11 Intercept Routing

Description

Redirects an incoming CO line call or intercom call to a preprogrammed destination when the original destination does not, or cannot, answer the call. There are four types of Intercept Routing, described below.

Type	Description
No Answer (IRNA)	<p>If a called party does not answer a call within a preprogrammed time period (IRNA Timer), the call is redirected to a preprogrammed intercept destination.</p> <p>The assigned intercept destination of the extension port.</p> <p>→ 10.3 PBX Configuration—[2-3] System—Timers & Counters</p> <p>→ Dial / IRNA / Recall / Tone—◆ Intercept Routing No Answer (IRNA)—Day, Lunch, Break, Night</p> <p>→ DISA / Door / Reminder / U. Conf—◆ DISA—Intercept Timer—Day, Lunch, Break, Night</p>
Busy	<p>If a called party is already handling a call, new calls are handled as follows:</p> <ul style="list-style-type: none"> – The call is redirected to the preprogrammed Intercept Routing—Busy destination. – If an Intercept Routing—Busy destination is not enabled, the caller will hear a busy tone. However, if the call is made through an ELCOT/LCOT or T1 (LCOT/GCOT) card, the caller hears a ringback tone.
DND	<p>If a called party is in Do Not Disturb (DND) mode, the call is redirected to a preprogrammed intercept destination.</p>
No Destination	<p>If a call has no destination (i.e., if a destination is not assigned), the call is redirected to an operator. (→ 10.1.12 Intercept Routing—No Destination)</p>

Intercept Routing redirects calls to destinations based on the original destination of the call, as shown in the table below. Different intercept destinations can be programmed for each time mode. Note that calls redirected by Intercept Routing—No Answer/DND are directed to the same destination, while Intercept Routing—Busy is directed to a separate destination, and the intercept destination for Intercept Routing—No Destination is always an operator.

When the original destination is:	The Available Intercept Destination is:
<ul style="list-style-type: none"> • Wired Extension (PT/SLT/SIP Extension/ T1-OPX) • PS • Fax Unit 	<p>The destination assigned to the original extension.</p> <p>12.1.1 PBX Configuration—[4-1-1] Extension—Wired Extension—Extension Settings—Intercept Destination</p> <p>→ ◆ Intercept Destination—When called party does not answer—Day, Lunch, Break, Night</p> <p>→ ◆ Intercept Destination—When Called Party is Busy</p> <p>12.2.1 PBX Configuration—[4-2-1] Extension—Portable Station—Extension Settings—Intercept Destination</p> <p>→ ◆ Intercept Destination—When called party does not answer—Day, Lunch, Break, Night</p> <p>→ ◆ Intercept Destination—When Called Party is Busy</p>

When the original destination is:	The Available Intercept Destination is:
<ul style="list-style-type: none"> ICD Group 	<p>The ICD Group Overflow destination assigned to the group. (→ 10.1.5 ICD Group Features—Overflow)</p> <p>→ 11.5.1 PBX Configuration—[3-5-1] Group—Incoming Call Distribution Group—Group Settings—Overflow No Answer—◆ Time out & Manual Queue Redirection—Destination—Day, Lunch, Break, Night</p>
<ul style="list-style-type: none"> UM Group 	<p>The destination assigned to the first extension of the UM group.</p>
<ul style="list-style-type: none"> VM Group (DTMF/DPT) 	<p>The destination assigned to the first extension of the VM group.</p>
<ul style="list-style-type: none"> DISA^{*1} 	<p>If all DISA ports are busy when a call is made using DISA, one of the following can be selected through system programming:</p> <ul style="list-style-type: none"> Disable: Busy tone is sent to the caller. When using an analog CO line, a ringback tone is sent. Operator: The call will be redirected to the operator. AA-0, AA-9: The call will be redirected to the destination assigned to that AA number. <p>→ 13.3.1 PBX Configuration—[5-3-1] Optional Device—Voice Message—DISA System—Option 1—◆ DISA Intercept—Intercept when all DISA ports are busy</p>
<ul style="list-style-type: none"> PS Ring Group^{*2} External Pager (TAFAS)^{*2} Other PBX Extension (TIE with no PBX Code) 	<p>Not assignable (Intercept Routing is not available.)</p>

^{*1} Intercept Routing for DISA will redirect a call only if all of the Direct Inward System Access (DISA) ports are busy. If Intercept Routing is activated after a call from DISA reaches the destination extension, the Intercept Routing settings assigned to that extension will be applied.

^{*2} By assigning the forward destination of a Virtual PS to a PS Ring Group or external pager, and assigning Intercept Routing destinations to the Virtual PS, calls to these destinations will be redirected to the Intercept Routing destination of the Virtual PS.

Programming Example**<Forward Destination of Virtual PS>**

Ext. No. of the Virtual PS	FWD Destination
2001	600
...	...

"600" is an example of a Floating Extension No. for the External Pager

<Intercept Destination of Virtual PS>

Ext. No. of the Virtual PS	Intercept Destination				...
	Day	Lunch	Break	Night	
2001	1001	1001	1001	1001	...
...

When extension 2001 is called from another extension or is the first destination of an incoming CO line call, etc., the call will ring at extension 600 (external pager) first, and then ring at the intercept destination (extension 1001) after the IRNA Timer expires.

[Available Intercept Destination]

The following can be used as intercept destinations:

Intercept Destination	Availability
Wired Extension (PT/SLT/SIP Extension/T1-OPX)	✓
PS	✓
ICD Group	✓
PS Ring Group	✓
UM Group	✓
VM Group (DTMF/DPT)	✓
Fax Unit	
External Pager (TAFAS)	✓
DISA	✓
Idle Line Access no. + Phone no.	✓
Trunk Group Access no. + Trunk Group no. + Phone no.	✓
Extension of Another PBX (via TIE Line, Access with PBX Code)	✓
Extension of Another PBX (via TIE Line, Access without PBX Code)	✓

Intercept for calls to an outside destination

When an intercom, CO line, or DISA call is received by an extension and forwarded to an outside destination by FWD—All Calls or FWD—Busy, the Intercept Routing feature can be used, if the outside destination is busy or does not answer. For example, when a call is forwarded to a cellular phone by FWD—All Calls, and the cellular phone is busy, the call will be routed to Voice Mail in the PBX.

This feature is also available when a call is forwarded by FWD—No Answer under the following conditions:

- The forwarding destination is in a private network and is busy or does not answer.
- The forwarding destination is in a public network and does not answer.

However, this feature is not available when a call is forwarded by FWD—No Answer to a destination in a public network that is busy.

Conditions

- **If the intercept destination is busy or in DND mode and therefore cannot receive the call:**
 - a. When the call was intercepted via Intercept Routing—No Answer, the call is sent back to the original destination and continues to ring at the original destination until answered.
 - b. When the call was intercepted via Intercept Routing—Busy and arrived through an ELCOT/LCOT or T1 (LCOT/GCOT) card, the call waits at the original destination. If the extension has Call Waiting activated, the user will hear a call waiting tone. When the call arrived on any other card, the caller hears a busy tone.
 - c. When the call was intercepted via Intercept Routing—DND and arrived through an ELCOT/LCOT or T1 (LCOT/GCOT) card, the call waits at the original destination and it rings. When the call arrived through any other card, the caller hears a busy tone.
- **If the intercept destination can, but does not, answer the call:**

The call continues to ring at the intercept destination until answered.
- **Intercept Routing—DND on/off**

Intercept Routing—DND can each be enabled or disabled for the entire system, through system programming. If enabled, calls will be routed to the appropriate destination. If disabled, a call to an extension which is in DND mode will be handled as described below, depending on the type of line carrying the call.

→ 18.4 PBX Configuration—[10-4] CO & Incoming Call—Miscellaneous—◆ Intercept—Intercept Routing - DND (Destination sets DND.)

 - a. ELCOT/LCOT or T1 (LCOT/GCOT) Card: The caller will hear a ringback tone. If in DND mode, the extension will ring.
 - b. All other lines: An outside caller will hear a busy tone and an extension caller will hear a DND tone.
- **Idle Extension Hunting**

If an extension is a member of an idle extension hunting group, calls to that extension will not be redirected by Intercept Routing—Busy/DND. If the extension is busy or in DND mode, calls to that extension will be redirected to the next extension in the idle extension hunting group.
- Intercept Routing for intercom calls can be enabled or disabled on a system basis.

→ 18.4 PBX Configuration—[10-4] CO & Incoming Call—Miscellaneous—◆ Intercept—Intercept Routing for Extension Call
- **IRNA Timer**

The IRNA timer can be set on a system basis and an extension basis for each time mode (day, lunch, break, night).

→ 12.1.1 PBX Configuration—[4-1-1] Extension—Wired Extension—Extension Settings—Intercept No Answer Time—◆ Intercept No Answer Time—Day, Lunch, Break, Night
- The Intercept Routing destination for each time mode will not apply for Intercept Routing—Busy. When the original destination is busy, the call is redirected to the Intercept Routing—Busy destination assigned through system programming. If no destination is assigned the caller will hear a busy tone.
- The time modes that are selected for CO line calls arriving at extensions and UM groups are decided on a tenant basis.
- **Intercept for calls to an outside destination**
 - Channels of a T1 CO line set to LCOT type do not support this feature.
 - This feature may not be available depending on the specifications of the telephone network.
 - This feature is not available when the original call was made from a SIP extension.

PC Programming Manual References

- 10.3 PBX Configuration—[2-3] System—Timers & Counters
 - Dial / IRNA / Recall / Tone—◆ Intercept Routing No Answer (IRNA)—Day, Lunch, Break, Night
 - DISA / Door / Reminder / U. Conf—◆ DISA—Intercept Timer—Day, Lunch, Break, Night
- 11.5.1 PBX Configuration—[3-5-1] Group—Incoming Call Distribution Group—Group Settings
 - Overflow No Answer—◆ Time out & Manual Queue Redirection—Destination-Day, Lunch, Break, Night
- 12.1.1 PBX Configuration—[4-1-1] Extension—Wired Extension—Extension Settings
 - Intercept Destination
 - Intercept No Answer Time
- 12.2.1 PBX Configuration—[4-2-1] Extension—Portable Station—Extension Settings
 - Intercept Destination
 - Intercept No Answer Time
- 13.3.1 PBX Configuration—[5-3-1] Optional Device—Voice Message—DISA System—Option 1—◆ DISA Intercept—Intercept when all DISA ports are busy
- 18.4 PBX Configuration—[10-4] CO & Incoming Call—Miscellaneous
 - ◆ Intercept—Intercept Routing - DND (Destination sets DND.)
 - ◆ Intercept—Routing to Operator - No Destination (Destination is not programmed.)
 - ◆ Intercept—Intercept Routing for Extension Call

Feature Manual References

- 5.1.9 DISA (Direct Inward System Access)
- 5.1.11 DND (Do Not Disturb)

10.1.12 Intercept Routing—No Destination

Description

Directs a CO line call to an operator when the call has no assigned destination.

Conditions

- **Intercept Routing—No Destination on/off**
Intercept Routing—No Destination can be enabled or disabled for the entire system, through system programming. If disabled, the caller will hear a reorder tone.
Note that calls received through an ELCOT/LCOT or T1 (LCOT/GCOT) card will always be directed to an operator, even when this feature is disabled.
- **If an operator is not assigned:**
The extension that is connected to the lowest numbered port and is ready to receive calls will be the intercept destination.
- Intercept Routing—No Destination also applies to calls from doorphones.

PC Programming Manual References

- 10.2 PBX Configuration—[2-2] System—Operator & BGM—◆ PBX Operator—Day, Lunch, Break, Night
- 18.4 PBX Configuration—[10-4] CO & Incoming Call—Miscellaneous—◆ Intercept—Routing to Operator - No Destination (Destination is not programmed.)

Feature Manual References

- 14.1.8 Operator Features

10.1.13 Intercom Call

Description

An extension user can call another extension user.

Conditions

- **Extension Number/Name Assignment**
Extension numbers and names are assigned to all extensions. The assigned number and name of the other extension are shown on display PTs during intercom calls.
- **DSS Button**
It is possible to call another extension by simply pressing the corresponding Direct Station Selection (DSS) button. Any flexible button can be customized as a DSS button.
- **Call Directory—Extension Dialing**
Display proprietary telephone (PT) users can make a call by selecting stored names on the display.
- **Alternate Receiving—Ring/Voice**
A PT user can select to receive intercom calls by ring tone or by voice, through personal programming (Alternate Receiving—Ring/Voice). If a user selects voice-calling, the calling party talks to the user immediately after a confirmation tone. Denying voice-calling can also be selected.
- **Alternate Calling—Ring/Voice**
A caller can change the called party's preset call receiving method (ring tone or voice) temporarily. By doing so, ring-calling is switched to voice-calling, or vice versa, at the called party. The called party may deny voice-calling.
- **PDN/SDN**
It is not possible to temporarily change the called party's preset call receiving method when making a call using a Primary Directory Number (PDN) button or Secondary Directory Number (SDN) button (→ 15.1.4 PDN (Primary Directory Number)/SDN (Secondary Directory Number) Extension).
- **Tone after Dialing**
After dialing an extension number, a user will hear one of the following:

Type	Description
Ringback Tone	Indicates the called party is being called.
Confirmation Tone	Indicates the called party has set voice-calling.
Busy Tone	Indicates the called party is busy.
DND Tone	Indicates the called party has set DND.

PC Programming Manual References

- 10.6.3 PBX Configuration—[2-6-3] System—Numbering Plan—B/NA DND Call Feature—◆ Alternate Calling - Ring / Voice
- 12.1.1 PBX Configuration—[4-1-1] Extension—Wired Extension—Extension Settings
 - Main—◆ Extension Number
 - Main—◆ Extension Name
 - Option 3—◆ Intercom Call by Voice
- 12.2.1 PBX Configuration—[4-2-1] Extension—Portable Station—Extension Settings—Main
 - ◆ Extension Number
 - ◆ Extension Name

Feature Manual References

7.1.3 Flexible Buttons

Operating Manual References

1.2.1 Making Calls
 1.3.3 Alternate Calling—Ring/Voice
 1.4.3 Directories
 3.1.2 Personal Programming

10.1.14 Internal Call Block

Description

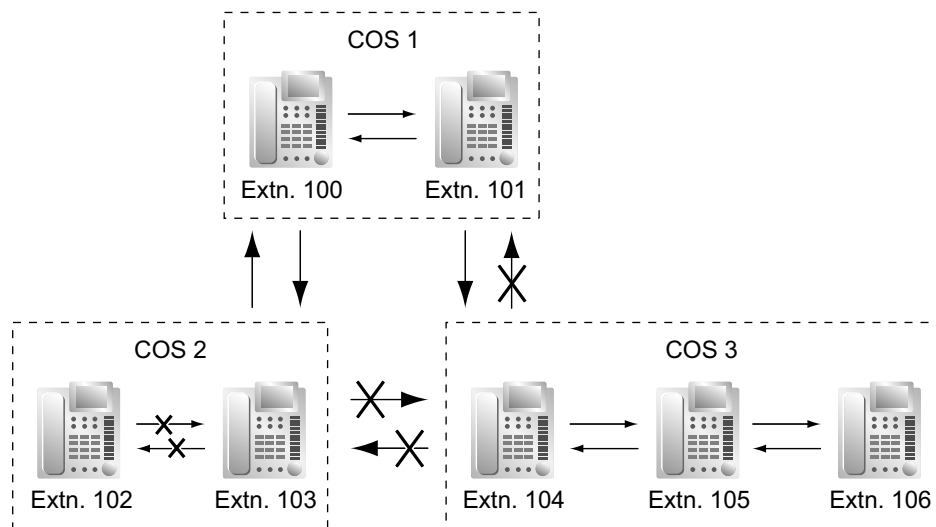
Internal calls can be restricted based on the Class of Service (COS) assigned to the caller and to the called party.

[Programming Example: Internal Call Block]

Caller	Called Party			
	COS 1	COS 2	COS 3	COS...
COS 1				
COS 2		Block	Block	Block
COS 3	Block	Block		Block

In this example:

- COS 1 can make calls to all extensions.
- COS 2 can make calls to COS 1 only. (COS 2 cannot make calls to COS 2.)
- COS 3 can make calls to COS 3 only.



Conditions

- Internal Call Block also prohibits certain features, such as Walking Extension and Walking COS, from being performed between certain extensions.
- Any extension can make an Operator Call regardless of the Internal Call Block setting of its COS. (→ 14.1.8 Operator Features)
- Because each doorphone port is assigned a COS, the Internal Call Block feature can restrict certain extensions from calling certain doorphones. (→ 5.1.13 Doorphone Call)

PC Programming Manual References

- 10.7.3 PBX Configuration—[2-7-3] System—Class of Service—Internal Call Block—◆ COS Number of the Extension Which Receive the Call from Other Extension 1–64
- 11.5.1 PBX Configuration—[3-5-1] Group—Incoming Call Distribution Group—Group Settings—Main—◆ COS
- 12.1.1 PBX Configuration—[4-1-1] Extension—Wired Extension—Extension Settings—Main—◆ COS
- 12.2.1 PBX Configuration—[4-2-1] Extension—Portable Station—Extension Settings—Main—◆ COS
- 13.1 PBX Configuration—[5-1] Optional Device—Doorphone—◆ COS
- 13.4 PBX Configuration—[5-4] Optional Device—External Relay—◆ COS Number

Feature Manual References

- 4.1.22 COS (Class of Service)

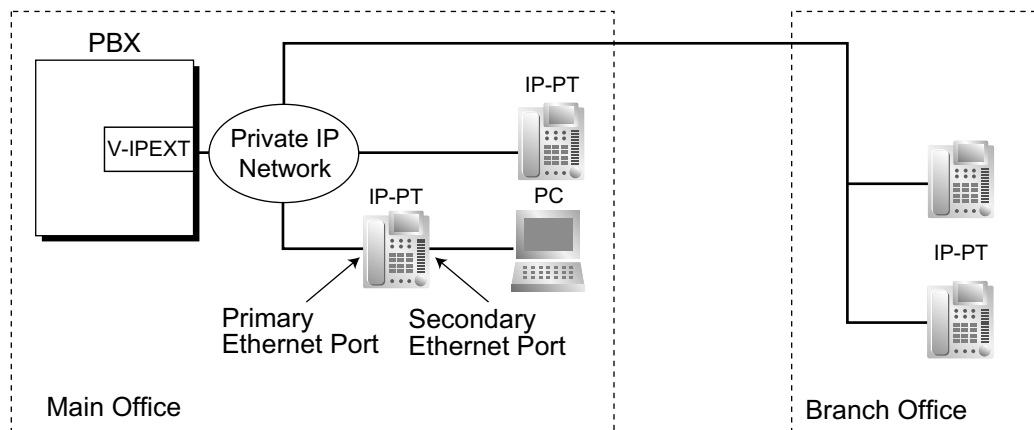
10.1.15 IP-PT (IP Proprietary Telephone)

Description

IP Proprietary Telephones (IP-PTs) are telephones that make and receive calls using IP and that connect to the PBX over a LAN. Except for their use of IP, they function almost identically to traditional proprietary telephones.

IP-PTs have two Ethernet ports for connection, primary and secondary. They are connected to the PBX through a network hub or other splitting device, and can have a PC connected to the secondary Ethernet port.

[Connection Example]



Conditions

- IP-PT registration is required through system programming before an IP-PT can be used with the PBX. An IP-PT cannot be used unless an extension number is assigned. However, depending on system programming, registration may occur completely automatically, or may require only inputting the desired extension number. For details on how to register IP-PTs, see the Installation Manual.
- The KX-NT265 does not have a secondary Ethernet port.
- The following optional devices are available for the KX-NT300 series (except KX-NT321) IP-PT:
 - KX-NT307(PSLP1528) Bluetooth® Module
 - KX-NT303 Add-on 12 Key Module (not available for KX-NT366)
 - KX-NT305 Add-on 60 Key Module (not available for KX-NT366)
- **DSP Resource Usage**
 Making a call from an IP-PT requires a certain number of DSP resources, depending on the codec used. If all DSP resources are in use, this operation cannot be performed. To ensure a minimum level of performance, DSP resources can be reserved for VoIP communication. (→ 5.1.16 DSP Resource Usage)
 However, DSP resources are not required for P2P calls. (→ 15.1.5 Peer-to-Peer (P2P) Connection)
- **KX-NT307(PSLP1528) Bluetooth Module**
 A Bluetooth wireless headset can be registered to a KX-NT300 series (except KX-NT321) IP-PT containing the KX-NT307(PSLP1528) Bluetooth Module through personal programming. When Headset Mode is off, the Bluetooth headset can be used to answer calls or redial. In this case, Headset Mode will turn on automatically, and will turn off after you hang up.
 This Bluetooth Module is also compatible with KX-DT343/KX-DT346 DPTs.
- Calls made using a Bluetooth wireless headset will not be disconnected immediately when the user wanders out of range. However, if the Bluetooth wireless headset user remains out of range for a specified time period, the call will be disconnected.
- The following features, available when a legacy gateway is connected (→ 18.1.9 Stacking Connection), cannot be used with an IP-PT:
 - XDP
 - Digital XDP
 - OHCA
- **Automatic Rerouting to Secondary PBX**
 A KX-NT300 series or KX-NT500 series IP-PT can automatically connect to a secondary PBX, when the primary PBX becomes disconnected. When the primary PBX is connected again, the IP-PT reconnects to it. (→ 2.1.7 Automatic Rerouting to Secondary PBX)

Installation Manual References

4.4 Virtual Cards

PC Programming Manual References

- 9.5.1 PBX Configuration—[1-1] Configuration—Slot—Site Property—Main—Main—◆ IP Terminal Registration Mode
- 9.14 PBX Configuration—[1-1] Configuration—Slot—V-IPEXT32—Card Property
- 9.15 PBX Configuration—[1-1] Configuration—Slot—V-IPEXT32—Port Property

10.1.16 ISDN (INTEGRATED SERVICES DIGITAL NETWORK) FEATURES

Description

Integrated Services Digital Network (ISDN) is a digital switching and transmission network. ISDN transmits voice, data, and image in digital format. ISDN lines can be connected to public lines (CO lines), private lines (QSIG).

1. ISDN Interface and Configuration

Interface Type	Description	Port Mode
Primary Rate Interface (PRI)	Provides twenty-three 64 kbps B channels for communication and one 64 kbps D channel for signaling (23B + D).	CO Line, QSIG—Master, QSIG—Slave ¹

¹ 9.27 PBX Configuration—[1-1] Configuration—Slot—Port Property - PRI Port—Main—◆ Port Type

2. ISDN Supplementary Services for Public Network

Service	Description	Details in
Direct Inward Dialing (DID)	Directs a call with a DID number to the preprogrammed destination.	→ 5.1.7 DID (Direct Inward Dialing)
Calling Line Identification Presentation (CLIP)	Sends the caller's telephone number to the network when making a call. The called party can see the number on his or her telephone display before answering the call.	→ 4.1.15 CLIP (Calling Line Identification Presentation)
Connected Line Identification Presentation (COLP)	Sends the telephone number of the answered party to the network when answering a call. The caller can see the number on his telephone display when the line is connected.	
Calling Line Identification Restriction (CLIR)	Prevents the caller's CLI from being presented to the called party.	
Connected Line Identification Restriction (COLR)	Prevents COLP from being sent by the answered party.	
Caller ID	The PBX receives Caller ID information, such as the caller's name and telephone number, when a call is sent from the network. A display proprietary telephone (PT) user can see this information before answering the call.	→ 4.1.3 Caller ID

3. Private Networking Connection (QSIG)

Private networking with QSIG is possible using an ISDN line. Each ISDN port must be programmed so that each ISDN line has a "master" connection and a "slave" connection.

Conditions

- **En bloc**

The PBX sends all of dialed digits at once after the extension user completes dialing. The PBX recognizes the end of dialing as follows:

- the # key is pressed (programmable).
10.9 PBX Configuration—[2-9] System—System Options—Option 2—◆ ISDN en Bloc Dial—[#] as End of Dial for en Bloc mode
- the dialed number is a preprogrammed telephone number.
11.1.4 PBX Configuration—[3-1-4] Group—Trunk Group—Dialing Plan
- the inter-digit timer expires.
10.3 PBX Configuration—[2-3] System—Timers & Counters—Dial / IRNA / Recall / Tone—◆ Dial—Extension Inter-digit
- **Extension Number**
An extension number can be assigned to each ISDN port.
12.1.1 PBX Configuration—[4-1-1] Extension—Wired Extension—Extension Settings—Main—◆ Extension Number
- **Network Type**
Each ISDN port can be set to the requirements of each country/area.
- **L1 Active Mode and L2 Data Link Mode**
The active mode of Layer 1 (L1) and the data link mode of Layer 2 (L2) can be selected individually (Permanent or Call by Call) for each ISDN port.
- **TEI Assignment Mode**
The Terminal Endpoint Identifier (TEI) assignment mode can be selected for each ISDN port.
- **Bearer Mode**
The bearer mode can be assigned for each ISDN port.
12.1.1 PBX Configuration—[4-1-1] Extension—Wired Extension—Extension Settings—Option 7—◆ ISDN Bearer
12.2.1 PBX Configuration—[4-2-1] Extension—Portable Station—Extension Settings—Option 7—◆ ISDN Bearer

PC Programming Manual References

- 9.26 PBX Configuration—[1-1] Configuration—Slot—Card Property - PRI type
- 9.27 PBX Configuration—[1-1] Configuration—Slot—Port Property - PRI Port
- 10.3 PBX Configuration—[2-3] System—Timers & Counters—Dial / IRNA / Recall / Tone—◆ Dial—Extension Inter-digit
- 10.9 PBX Configuration—[2-9] System—System Options—Option 2—◆ ISDN en Bloc Dial—[#] as End of Dial for en Bloc mode
- 11.1.4.1 PBX Configuration—[3-1-4] Group—Dialing Plan—Auto Assign
- 12.1.1 PBX Configuration—[4-1-1] Extension—Wired Extension—Extension Settings
 - Main—◆ Extension Number
 - Option 7—◆ ISDN Bearer
- 12.2.1 PBX Configuration—[4-2-1] Extension—Portable Station—Extension Settings—Option 7—◆ ISDN Bearer

Feature Manual References

- 15.1.17 PRIVATE NETWORK FEATURES—QSIG

Section 11

Features and Configurations—K

11.1 K

11.1.1 KX-UT Series SIP Phones

Description

KX-UT series telephones are Panasonic SIP phones that provide tighter integration with the PBX than general SIP phones. The following features are available:

Automatic PBX registration

Like IP-PTs (→ 10.1.15 IP-PT (IP Proprietary Telephone)), registration of KX-UT series SIP phones can be made to occur automatically through system programming.

Phonebook integration

KX-UT series SIP phones will automatically download up to 100 personal speed dialing numbers and up to 300 system speed dialing numbers (→ 18.1.7 Speed Dialing, Personal/18.1.8 Speed Dialing, System) and store this information in its local phonebook.

Customizable flexible buttons

The following features can be assigned through system programming to the flexible buttons available on some KX-UT series SIP phones:

Button	Usage
Single-CO (S-CO)	Used to access a specified CO line for making or receiving calls.
DN ^{*1}	A type of button specific to KX-UT series SIP phones. For details, refer to the telephone's documentation.
One-Touch ^{*1}	Used to dial a specified number or feature. For details, refer to the telephone's documentation.
Headset ^{*1}	Used to turn on/off the headset mode while idle. (→ 9.1.3 Headset Operation)
Login/Logout ^{*2}	Used to switch between log-in and log-out mode. (→ 10.1.3 ICD Group Features—Log-in/Log-out)
Contact (DSS)	Access another extension with one touch. Unlike a One-Touch button, this type of button cannot be used to dial feature numbers.
Wrap-up ^{*2}	Used to switch between the Wrap-up/Not Ready and Ready modes. (→ 10.1.3 ICD Group Features—Log-in/Log-out)
Call Park	Place the current call into a parking zone of the PBX. (→ 4.1.7 Call Park) There are two modes: <ul style="list-style-type: none"> • Specific: Place the call into the specified park zone. • Automatic: The telephone searches for an idle park zone from among those assigned to its own flexible buttons.

^{*1} This feature is not controlled from the PBX.

^{*2} Not available on all KX-UT series SIP phones.

Conditions

- **Requirement:**

A V-UTEXT card is required to use a KX-UT series SIP phone.

- Phonebook entries downloaded from the PBX cannot be edited.
- Only entries in the PBX directories that have phone numbers assigned will be downloaded.
- On KX-UT248 and KX-UT670 phones, the labels displayed on flexible buttons can be customized through system programming.

→ 12.1.4 PBX Configuration—[4-1-4] Extension—Wired Extension—Flexible Button—◆ Label Name

- Incoming/Outgoing call log information is stored on the phone, not on the PBX.

- **Automatic Rerouting to Secondary PBX**

A KX-UT series SIP phone can automatically connect to a secondary PBX if its primary PBX goes offline. When the primary PBX is available again, the phone reconnects to it. (→ 2.1.7 Automatic Rerouting to Secondary PBX)

- For detailed explanations about a particular KX-UT series SIP phone, refer to the telephone's documentation.

- **DSP Resource Usage**

Making a call from a SIP extension requires a certain number of DSP resources, depending on the codec used. If all DSP resources are in use, this operation cannot be performed. To ensure a minimum level of performance, DSP resources can be reserved for VoIP communication. (→ 5.1.16 DSP Resource Usage)

However, DSP resources are not required for P2P calls. (→ 15.1.5 Peer-to-Peer (P2P) Connection)

Installation Manual References

4.4 Virtual Cards

PC Programming Manual References

9.4 PBX Configuration—[1-1] Configuration—Slot—System Property—◆ System Speed Dial Download For UT Extensions

9.5.1 PBX Configuration—[1-1] Configuration—Slot—Site Property—Main—Main—◆ IP Terminal Registration Mode

9.20 PBX Configuration—[1-1] Configuration—Slot—V-UTEXT32—Card Property

9.21 PBX Configuration—[1-1] Configuration—Slot—V-UTEXT32—Port Property

12.1.4 PBX Configuration—[4-1-4] Extension—Wired Extension—Flexible Button

Section 12

Features and Configurations—L

12.1 L

12.1.1 LED Indication

Description

The LED of the Message/Ringer Lamp and the following buttons (Line Status Buttons and Corresponding Extension Status Button) can indicate line status with a variety of light patterns.

Line Status Buttons: S-CO, G-CO, L-CO, INTERCOM, ICD Group, PDN

Corresponding Extension Status Button: DSS, SDN

1. Light Pattern of the Message/Ringer Lamp

[IP-PT and DPT]

- Incoming call from a CO line: Red flashing
- Incoming call from another extension: Green flashing
- Message(s) present (no incoming call): Red on
- No message(s) present (no incoming call): Off

[APT]

- Incoming call: Red flashing
- Message(s) present (no incoming call): Red on
- No message(s) present (no incoming call): Off

2. Light Pattern of the Line Status Buttons

Line Status Button: Light Pattern	CO Line Status			Intercom Line Status	Incoming Call Distribution (ICD) Group Line Status
	S-CO	G-CO	L-CO	INTERCOM	ICD Group
Off	Idle				
Green on	This extension is using the line.				
Slow green flashing	This extension is holding the line.				
Moderate green flashing	This extension is holding the line using Exclusive Hold or using the line for an Unattended Conference.				
Rapid green flashing	Incoming call/Privacy Release	Incoming call			
Red on	Incoming call for another extension/ Another extension is using the line/Another extension has the line on Exclusive Hold.	Other extensions are using all CO lines in the trunk group.	–	–	This extension is logged out of the ICD group.
Slow red flashing	Another extension is holding the line.	–	–	–	–
Rapid red flashing	Incoming call to the ICD group in Ring distribution method			–	–

For information on the light patterns of PDN and SDN buttons, refer to 15.1.4 PDN (Primary Directory Number)/SDN (Secondary Directory Number) Extension.

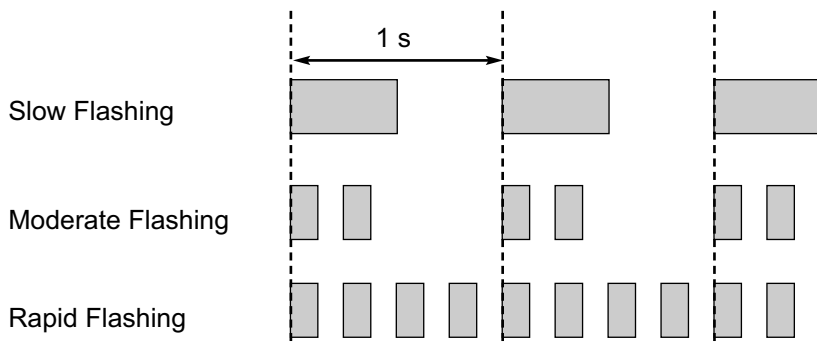
3. Light Pattern of the Corresponding Extension Status Button

Corresponding Extension Status Button Light Pattern	DSS
Off	Idle
Red on	Busy/Incoming call*1/DND for CO line calls
Rapid red flashing	Incoming call*2

*1 Only when Call Pickup by a DSS button is disabled.

*2 Only when Call Pickup by a DSS button is enabled.

4. Flashing Light Patterns



Conditions

- The incoming CO line call shows on the buttons in the following priority: ICD Group→S-CO→G-CO→L-CO→PDN→INTERCOM
- The light pattern of a DSS button for incoming calls can be set to "Off" through system programming. In this case, the DSS button light will not indicate the status of the corresponding extension.

PC Programming Manual References

- 10.9 PBX Configuration—[2-9] System—System Options
 - Option 1—◆ PT Fwd / DND—Fwd LED
 - Option 1—◆ PT Fwd / DND—DND LED
 - Option 4—◆ DSS Key—DSS key mode for Incoming Call

Feature Manual References

- 4.1.4 Call Hold
- 4.1.18 Conference
- 7.1.7 FWD/DND Button, Group FWD Button
- 10.1.2 ICD Group Features—Group Call Distribution
- 10.1.3 ICD Group Features—Log-in/Log-out
- 15.1.11 Privacy Release

12.1.2 Line Preference—Incoming

Description

A proprietary telephone (PT) user can select the method used to answer incoming calls from the following three line preferences. Each of these line preferences can be assigned on each extension through personal programming (Preferred Line Assignment—Incoming).

Type	Description
No Line	Selects a line by pressing the desired Line Access button to answer an incoming call after you go off-hook.

Type	Description
PDN	Answers a call arriving at a Primary Directory Number (PDN) button simply by going off-hook. This works even when multiple calls are received simultaneously. (→ 15.1.4 PDN (Primary Directory Number)/SDN (Secondary Directory Number) Extension)
Prime Line	Answers a call arriving at a CO button (on which the "Prime Line" is assigned) simply by going off-hook. This works even when multiple calls are received simultaneously.
Ringing Line (default)	Answers the longest ringing call when multiple calls arrive at one's own telephone simply by going off-hook.

Conditions

[Prime Line]

- The priority of the incoming call is as follows:
 - The call arriving at a button on which the "Prime Line" is assigned.
 - The call arriving at the INTERCOM button.

PC Programming Manual References

- 12.1.1 PBX Configuration—[4-1-1] Extension—Wired Extension—Extension Settings—Option 4—◆ Incoming Preferred Line
- 12.2.1 PBX Configuration—[4-2-1] Extension—Portable Station—Extension Settings—Option 4—◆ Incoming Preferred Line

Operating Manual References

- 3.1.2 Personal Programming

12.1.3 Line Preference—Outgoing

Description

Through personal programming, a proprietary telephone (PT) user can select the preferred method of seizing a line (Preferred Line Assignment—Outgoing) that is used each time the user goes off-hook.

Method	Description
ICM/PDN	When an extension user goes off-hook, an extension line is selected automatically. If the extension is a PDN extension, the first available Primary Directory number (PDN) button is selected automatically. (→ 15.1.4 PDN (Primary Directory Number)/SDN (Secondary Directory Number) Extension)
Idle Line	When an extension user goes off-hook, an idle CO line is selected automatically from the assigned trunk groups.
No Line	When an extension user goes off-hook, no line is selected. In order to make a call, the user must select the desired line manually.

Method	Description
Prime Line	When an extension user goes off-hook, the preset line is selected automatically. A prime line can be selected from the Line Access buttons: S-CO, G-CO, L-CO, ICD Group.

Conditions

- **Line Preference Override**
A user can override the preset Line Preference temporarily by pressing the desired Line Access button or a Memory Dialing button, such as One-touch Dialing, before going off-hook.
- To select Idle Line Preference, the trunk groups available to the extension should be programmed on a COS basis. Also trunk groups available for Idle Line Access should be assigned.

PC Programming Manual References

- 10.7.2 PBX Configuration—[2-7-2] System—Class of Service—External Call Block
- 11.1.2 PBX Configuration—[3-1-2] Group—Trunk Group—Local Access Priority
- 12.1.1 PBX Configuration—[4-1-1] Extension—Wired Extension—Extension Settings—Option 4—◆ Outgoing Preferred Line
- 12.2.1 PBX Configuration—[4-2-1] Extension—Portable Station—Extension Settings—Option 4—◆ Outgoing Preferred Line

Operating Manual References

- 3.1.2 Personal Programming

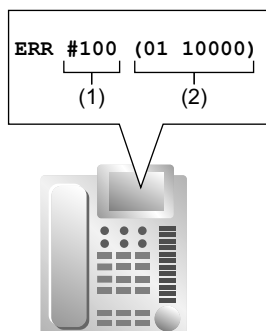
12.1.4 Local Alarm Information

Description

When the PBX detects an error, the System Alarm button on the proprietary telephone (PT) of an extension which is allowed to use this feature through system programming (a maximum of two extensions per PBX), lights red. Pressing the button will show the error number on the display. If multiple errors occur, the error number will be displayed in order of highest priority to lowest. The System Alarm button light turns off automatically after all error numbers have been displayed.

For details about the errors and their solutions, refer to the Installation Manual.

[Error Example]



[Explanation]

Number in the Example	Item	Description
(1)	Error Code	Shows three-digit error code.
(2)	Sub Code	Shows 8-digit sub code (BBWXYZZ). BB : Site number (00 to 15) W : Slot type (Physical shelf: blank, Virtual shelf: *) X : Unit number/Non-PBX process code YY : Slot number/Process code ZZ : Port number/Process number

Conditions

- **System Alarm Button**
Any flexible button can be customized as the System Alarm button.
- The alarm information will be logged on the Station Message Detail Recording (SMDR), if enabled through system programming.
- The PBX can be automatically diagnosed at a preprogrammed time every day.

Installation Manual References

7.1.6 Troubleshooting by Error Log

PC Programming Manual References

7.3.1 Utility—Log—Error Log

12.1.4 PBX Configuration—[4-1-4] Extension—Wired Extension—Flexible Button—◆ Type

12.2.3 PBX Configuration—[4-2-3] Extension—Portable Station—Flexible Button—◆ Type

19.1 PBX Configuration—[11-1] Maintenance—Main

→SMDR—◆ Print Information—Error Log

→Maintenance—◆ Local Alarm Display—Extension 1, Extension 2

→Maintenance—◆ Daily Test Start Time—Set

→Maintenance—◆ Daily Test Start Time—Hour

→Maintenance—◆ Daily Test Start Time—Minute

Feature Manual References

7.1.3 Flexible Buttons

18.1.4 SMDR (Station Message Detail Recording)

Section 13

Features and Configurations—M

13.1 M

13.1.1 Manager Features

Description

An extension assigned as a manager (manager extension) is allowed to use certain features which most extensions cannot. Class of Service (COS) programming determines which extensions are manager extensions and can therefore use the following features:

Feature		Description	Manager Password	Details in
Manager Programming	Manager Password Change	Changes the manager password.	Required	–
	Verification Code Personal Identification Number (PIN) Set	Sets a Verification Code PIN for each Verification Code.	Required	→ 21.1.1 Verification Code Entry
	Remote PIN Clear	Clears the extension PIN of an extension remotely, or a verification code PIN. PIN Lock is also unlocked.	Required	→ 6.1.8 Extension PIN (Personal Identification Number) → 21.1.1 Verification Code Entry
	Remote Extension Dial Lock	Sets or cancels the Extension Dial Lock on an extension remotely.	Required	→ 6.1.6 Extension Dial Lock
Dial Tone Transfer		Changes the Toll Restriction (TRS) level of an extension temporarily, allowing the extension user to make a normally unauthorized call.	Not required	→ 5.1.6 Dial Tone Transfer
Outgoing Message (OGM)		Records and plays back OGMs.	Not required	→ 14.1.2 OGM (Outgoing Message)
Time Service		Switches the time mode manually.	Not required	→ 19.1.3 Time Service
BGM—External		Turns the External BGM on and off.	Not required	→ 3.1.2 BGM (Background Music)

Feature	Description	Manager Password	Details in
NDSS Monitor Release	Removes the monitor function from an NDSS button.	Not required	→ 15.1.14 Private Network Features—NDSS (Network Direct Station Selection)

Conditions

CAUTION

There is a risk that fraudulent telephone calls will be made if a third party discovers a personal identification number (PIN) (verification code PIN or extension PIN) of the PBX. The cost of such calls will be billed to the owner/renter of the PBX. To protect the PBX from this kind of fraudulent use, we strongly recommend:

- a. Keeping PINs secret.
- b. Selecting complex, random PINs that cannot be easily guessed.
- c. Changing PINs regularly.
- **Manager Password**
Only one manager password can be assigned per PBX.

PC Programming Manual References

10.7.1 PBX Configuration—[2-7-1] System—Class of Service—COS Settings—Manager—◆ Manager
19.1 PBX Configuration—[11-1] Maintenance—Main—Password—◆ Manager Password - PT
Programming—Prog *1

Feature Manual References

4.1.22 COS (Class of Service)

Operating Manual References

2.1 Manager Service Features
4.1.2 Manager Programming

13.1.2 MEMORY DIALING FEATURES

Description

An extension user can store frequently dialed numbers in the PBX extension data and/or the PBX system data. A stored number is dialed automatically with a simple operation.

1. Features

Feature	Storing Method	Details in
One-touch Dialing	<ul style="list-style-type: none"> • Personal Programming • System Programming (PC Programming only) 	→ 14.1.7 One-touch Dialing

Feature		Storing Method	Details in
Last Number Redial (Outgoing Call Log)		The last or most recent dialed numbers are automatically stored.	→ 17.1.1 Redial, Last Number
Speed Dialing	Personal	<ul style="list-style-type: none"> Personal Programming Personal Operation with the Feature Number System Programming (PC Programming only) 	→ 18.1.7 Speed Dialing, Personal
	System	System Programming	→ 18.1.8 Speed Dialing, System
Quick Dialing		System Programming (PC Programming only)	→ 16.1.1 Quick Dialing
Hot Line		<ul style="list-style-type: none"> Personal Programming Personal Operation with the Feature Number System Programming (PC Programming only) 	→ 9.1.6 Hot Line
Incoming Call Log		Incoming call information is automatically stored.	→ 4.1.5 Call Log, Incoming

2. Valid Input

Input	Displayed while Entering	Description
0-9/*/#	0-9/*/#	Store digits, * and # by pressing the corresponding buttons.
PAUSE (Pause)	P	Store a dialing pause by pressing the PAUSE button. (→ 15.1.2 Pause Insertion)
FLASH/RECALL (Hooking) ^{*1}	F	Store a flash/recall signal (EFA mode) by pressing the FLASH/RECALL button at the beginning of the number. (→ 6.1.1 EFA (External Feature Access))
INTERCOM (Secret) ^{*1}	[]	Conceal all or part of the number by pressing the INTERCOM button at the beginning and at the end of the number to be concealed. It is programmable whether the concealed part will be shown on the SMDR. (→ 18.1.4 SMDR (Station Message Detail Recording))
TRANSFER (Transfer) ^{*1}	T	Store a transfer command by pressing the TRANSFER button at the beginning of the number (used only for One-touch Dialing). (→ 4.1.10 Call Transfer) [Example] Storing "T + 305"= Transferring a call to extension 305.

*1 Available only when in the system/personal programming mode

[Secret Dialing Example]

When storing the number "9-123-456-7890", to conceal the telephone number "123-456-7890",

Enter → → → .

Note

- It is possible to store a Memory Dialing feature number at the beginning of Memory Dialing numbers.
- It is possible to store several feature numbers in one Memory Dialing location.

Conditions

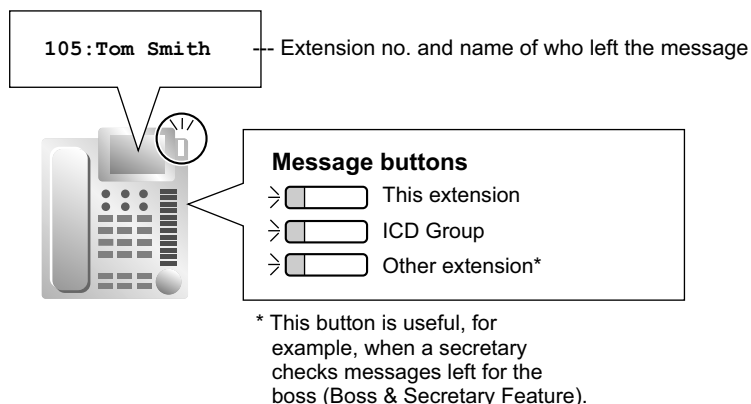
- **CO Line Access by Memory Dialing**

A specific CO Line Access number can be stored along with the telephone number in Memory Dialing. However, if Memory Dialing is done after selecting a CO line, the stored CO Line Access number is ignored and the telephone number is sent using the selected CO line.

13.1.3 Message Waiting**Description**

When an extension user calls another extension that does not or cannot answer the call, he or she can leave a Message Waiting notification. The appropriate button or lamp on the called extension user's telephone will light, indicating that a call was missed or a message recorded by the Unified Messaging system or a Voice Processing System (VPS) is waiting. A Message button can be used to call the caller back or listen to the message.

When a message is left for a proprietary telephone (PT), the Message button on it lights or the Message/Ringer Lamp turns red. Pressing the lit Message button while on-hook shows the caller's information as shown below:

[Example]**Conditions**

- **Message Button**

Any flexible button can be assigned as a Message button. This button can be used on a PT which does not have the MESSAGE button (fixed button), or can be used on any PT to access messages left for another extension or for an incoming call distribution (ICD) group.

- **Distinctive Dial Tone for Message Waiting**

If Distinctive Dial mode is enabled, dial tone 4 will be sent to an extension when a message has been left on the extension. (→ 5.1.5 Dial Tone)

- It is possible to leave a Message Waiting notification while hearing a ringback tone, busy tone, or DND tone.
- Messages are always left on the original destination extension, regardless of that extension's FWD settings. (→ 7.1.6 FWD (Call Forwarding))
- Both the calling extension and the called extension can cancel a notification after it has been left.
- If the extension that received a notification calls back the extension that sent the notification, and the call is answered, the notification will be cleared automatically. However, if a voice message has been left in a mailbox, whether the notification is cleared or not depends on the Unified Messaging settings or the VPS's settings.
- If a voice message has been left in the mailbox of a SIP extension, the lamp will not turn on.
- **SLT with a Message Waiting Lamp (available only with KX-TDE/KX-TDA-series PBXs connected over a stacking connection)**

The lamp activates in the same way as the MESSAGE button on a PT, if an EMSLC, MSLC, or MCSLC card is connected to the PBX. The Message Waiting Lamp light pattern can be selected from one of 12 patterns. For details, refer to the documentation of the PBX to which the extensions are connected.

PC Programming Manual References

- 10.6.1 PBX Configuration—[2-6-1] System—Numbering Plan—Main—Features—◆ Message Waiting Set / Cancel / Call Back
- 10.6.3 PBX Configuration—[2-6-3] System—Numbering Plan—B/NA DND Call Feature—◆ Message Waiting Set
- 10.9 PBX Configuration—[2-9] System—System Options—Option 3—◆ Dial Tone—Distinctive Dial Tone
- 10.9 PBX Configuration—[2-9] System—System Options—Option 5—◆ SLT—Message Waiting Lamp Pattern
- 12.1.4 PBX Configuration—[4-1-4] Extension—Wired Extension—Flexible Button—◆ Type
- 12.2.3 PBX Configuration—[4-2-3] Extension—Portable Station—Flexible Button—◆ Type

Feature Manual References

- 7.1.3 Flexible Buttons
- 23.1 Capacity of System Resources

Operating Manual References

- 1.3.43 Message Waiting

13.1.4 Music on Hold

Description

Music or other audio can be played to a party that has been put on hold. The following audio sources are available:

- a. User-supplied audio file
- b. External music source
- c. Tone

The audio source for Music on Hold is selected from either a BGM number (1 to 8) or the built-in tone. BGM can be either an external music source or a user-supplied audio file. The following table shows which audio sources can be assigned to which BGM numbers:

[BGM Number and the Music Source]

BGM No.	Music Source
1	External music port 1 or user audio data
2	User audio data
3	User audio data
4	User audio data
5	User audio data
6	User audio data
7	User audio data
8	User audio data

For tenant users, each tenant can select one of the BGMs or the tone to use for Music on Hold.

Conditions**[General]**

- **Hardware Requirement:** User-supplied music source (when an external music source is assigned)
- **Volume Control**
It is possible to change the volume of an internal and/or external music source.
- For tenants, the type of call determines which tenant's music source is used, as follows:

Type	Music Source
Incoming Intercom Calls/Outgoing Calls	Selected based on the tenant setting to which the extension user belongs.
Incoming CO Line Calls	Selected based on the tenant setting of the distribution method (DIL/DID).

- **DSP Resource Usage**
Music on Hold playback requires a certain number of DSP resources. If all DSP resources are in use, this operation cannot be performed. (→ 5.1.16 DSP Resource Usage)
- Even if an external music source or a user-supplied audio file is selected for Music on Hold, an IP-PT or SIP extension user who is put on hold by another extension will hear the telephone's hold tone and not the specified Music on Hold.

[User-supplied audio files]

- User-supplied audio files are uploaded via Web Maintenance Console. Audio files must meet the following specifications:
 - Format: WAV
 - Size: 80 MB or less
 - Length: 8 minutes or less
- Initially, a preinstalled audio file is set as the audio source for BGM 1. Through system programming, this file can be removed or replaced like any other BGM audio file. However, if the PBX is reinitialized, this preinstalled audio file is set to BGM 1 again.
- **One-look Networking** (→ 14.1.4 One-look Network)

13.1.5 Mute

When uploading a file to the Master unit, the user can select which sites to upload the file to and the BGM number for each site. When uploading to a Slave unit, the user can select only the BGM number, and the file is uploaded only to that PBX.

Installation Manual References

4.10 Connection of Peripherals

PC Programming Manual References

10.2 PBX Configuration—[2-2] System—Operator & BGM

10.11.1 PBX Configuration—[2-11-1] System—Audio Gain—Paging/MOH—◆ External MOH—MOH 1 (Music On Hold 1)

Feature Manual References

3.1.2 BGM (Background Music)

19.1.2 Tenant Service

13.1.5 Mute

Description

During a conversation, a proprietary telephone (PT) user can disable the built-in microphone or the handset microphone to consult privately with others while listening to the other party on the phone through the built-in speaker or the handset receiver. The user can hear the other party's voice during Mute. Only your voice will be muted.

Conditions

- This feature is available on all PTs that have the AUTO ANS/MUTE button.

Operating Manual References

1.3.44 Mute

Section 14
Features and Configurations—O

14.1 O

14.1.1 Off-hook Monitor

Description

A proprietary telephone (PT) user can let others listen to the user's conversation through the built-in speaker, during a conversation using the handset.

Conditions

- **Compatible Telephones**
 - KX-DT300 series
 - KX-T7600 series
 - KX-T7400 series (display PTs only)
 - KX-NT series

To enable this feature, system programming is required. If disabled, hands-free conversation is performed instead.

Operating Manual References

1.3.45 Off-hook Monitor

14.1.2 OGM (Outgoing Message)

Description

An extension assigned as a manager (manager extension) can record outgoing messages (OGMs) for the following features:

Feature	Usage	Details in
Direct Inward System Access (DISA)	When a call arrives on a DISA line, the caller will hear a message.	→ 5.1.9 DISA (Direct Inward System Access)
Queuing Feature	If assigned in the Queuing Time Table of the incoming call distribution (ICD) group, callers waiting in a queue will hear a message.	→ 10.1.6 ICD Group Features—Queuing
Timed Reminder	When answering the Timed Reminder Alarm, the user will hear a message.	→ 19.1.4 Timed Reminder

Conditions

- **Number of Messages**
A maximum of 64 messages can be recorded on a PBX. In a One-look network, 64 messages can be recorded at each site.
- **One-look Networking** (→ 14.1.4 One-look Network)
 - A floating extension number is assigned to each outgoing message (OGM) (default: 536–599¹). Even though messages are stored separately for each site, the message numbers (OGM 1 to 64) and their

corresponding floating extension numbers are shared among all sites. Therefore, the contents of message 01 (floating extension number 536) at site A may be different from the contents of message 01 (floating extension number 536) at site B.

- Messages at all sites can be recorded, listened to, and deleted using the Master unit. However, in feature operation a PBX can use only the messages stored locally. For example, when incoming callers queue, only an OGM from the PBX at which the callers are queuing can be used. An OGM from another site cannot be used.

*1 The number of digits for **Floating Extn. No** depends on the value specified for **Numbering Plan** in Easy Setup.
→ 2.1.4 Easy Setup Wizard—PBX Setting—Select the default value of Numbering Plan

- **DSP Resource Usage**

Playing back an OGM requires a certain number of DSP resources. If all DSP resources are in use, this operation cannot be performed. To ensure a minimum level of performance, DSP resources can be reserved for OGM playback. (→ 5.1.16 DSP Resource Usage)

- There is no limit to the length of an individual message, but the maximum recording time (all messages combined) is approximately 64 minutes.
- The same message can be played to multiple callers simultaneously.
- **Recording Methods**
 - a. Record voice messages through the extension telephone.
 - b. Transfer prerecorded voice messages from an external audio source to the PBX via an external music port.
- After recording messages, a manager extension can also play them back for confirmation.
- A progress tone is sent to a manager extension before recording messages for a preprogrammed time period, or while clearing a prerecorded message assigned to a floating extension number.
- When a manager tries to record a message, he or she will hear a ringback tone if a message channel is in use. When all message ports become idle, the manager will hear the progress tone for a preprogrammed time period. After that, the PBX will automatically switch to recording mode.
- **Copying messages to and from a PC**
Via Web Maintenance Console, messages can be copied to and from a PC. This feature is useful for copying the same message to multiple sites.
 - Messages are downloaded to a PC in WAV (G.711a/μ) format.
 - Messages uploaded from a PC must be in one of the following formats: WAV (linear PCM) or WAV (G.711a/μ).

Installation Manual References

4.3.3 DSP S Card (KX-NS0110), DSP M Card (KX-NS0111), DSP L Card (KX-NS0112)

PC Programming Manual References

2.1.4 Easy Setup Wizard—PBX Setting—Select the default value of Numbering Plan

7.2.5 Utility—File—Message File Transfer PC to PBX

7.2.6 Utility—File—Message File Transfer PBX to PC

10.3 PBX Configuration—[2-3] System—Timers & Counters—DISA / Door / Reminder / U. Conf—◆
DISA—Progress Tone Continuation Time before Recording Message

10.6.1 PBX Configuration—[2-6-1] System—Numbering Plan—Main—Features—◆ OGM Record / Clear / Playback

11.5.2 PBX Configuration—[3-5-2] Group—Incoming Call Distribution Group—Queuing Time Table—◆
Queuing Sequence—Sequence 01–16

13.3.2 PBX Configuration—[5-3-2] Optional Device—Voice Message—DISA Message—◆ Floating Extension Number

Feature Manual References

- 7.1.5 Floating Extension
- 23.1 Capacity of System Resources

Operating Manual References

- 2.1.3 OGM (Outgoing Messages)

14.1.3 OHCA (Off-hook Call Announcement)

Description

An extension user can talk with a busy extension through the built-in speaker and microphone of the called party's PT. If the existing call is using a handset, a second conversation is made using the speakerphone and microphone so that the called extension can talk to both parties.

Conditions

- COS programming determines which extensions can use this feature.
- This feature is available when the *called extension* uses one of the following telephones:
 - KX-T7625, KX-T7630, KX-T7633, KX-T7636, KX-DT333, KX-DT343, KX-DT346
 - KX-T7436These telephones can be connected only through a legacy gateway. They cannot be connected directly to a KX-NS1000 PBX. (→ 18.1.9 Stacking Connection)
- The OHCA feature cannot be used in the following cases:
 - a. COS or called extension's telephone type is not available for this feature.
 - b. The called extension (DPT) is in the Digital XDP connection.
The Call Waiting tone is sent to the called extension. (→ 4.1.12 Call Waiting Tone)
- While an extension is receiving OHCA, if the extension user places the current CO line call on hold or transfers the current intercom call or CO line call, OHCA will become disabled and the calling extension will start to hear a ringback tone.
- While an extension is receiving OHCA, if the extension user places the current intercom call on hold, the called extension can talk to the calling extension through the handset.

PC Programming Manual References

- 10.6.3 PBX Configuration—[2-6-3] System—Numbering Plan—B/NA DND Call Feature
 - ◆ BSS / OHCA / Whisper OHCA / DND Override
 - ◆ BSS / OHCA / Whisper OHCA / DND Override-2
- 10.7.1 PBX Configuration—[2-7-1] System—Class of Service—COS Settings—Assistant—◆ OHCA / Whisper OHCA

Feature Manual References

- 4.1.22 COS (Class of Service)

Operating Manual References

- 1.3.46 OHCA (Off-hook Call Announcement)

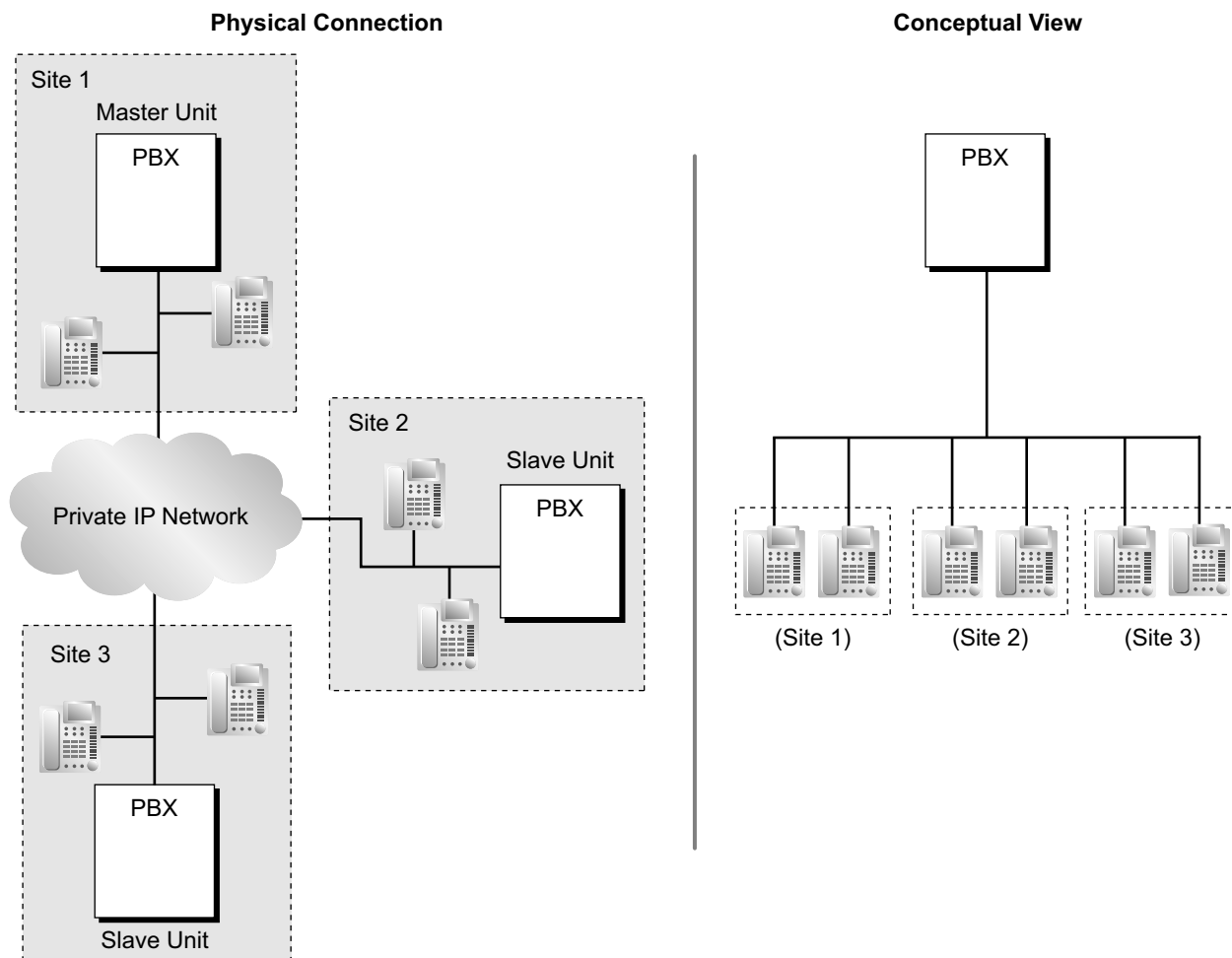
14.1.4 One-look Network

Description

A One-look network is a network of KX-NS1000 PBXs connected and managed over a private IP network. One PBX serves as the Master unit, which controls one or more PBXs, known as Slave units. Almost all programming and configuration can be done through the Master unit.

Although PBXs and extensions may be located in physically different locations, conceptually the system behaves as one PBX.

Each PBX in a One-look network and the devices under it are referred to as a "site", regardless of whether it is a Master or Slave unit. The PBX at each site is often referred to as the local PBX.



Features of One-look networking

- Simple setup and expansion**
 When setting up a PBX initially, the first step is to specify whether it is a Master unit or a Slave unit. If a PBX is specified as a Slave unit, it automatically locates the Master unit if they are on the same LAN.
 → 2.1.4 Easy Setup Wizard
 After the initial settings have been configured, the only additional step is to register the Slave unit to the Master unit using a simple wizard. Note that a Slave unit will not function until it is registered.
 → 3.1.1 Home Screen—Add Site Wizard
- Common extension numbering**
 All extensions are managed from the Master unit and behave as if they were all connected to one PBX. This feature is similar to common extension numbering over a TIE connection (→ 15.1.23 Private Network

Features—VoIP (Voice over Internet Protocol)—Common Extension Numbering for Multiple PBXs), but it does not require any system programming.

- **CO line access**
Extension users can access CO lines at remote PBXs. Through system programming, outgoing calls can be routed so as to reduce long-distance call charges.
 - **Simplified programming**
All PBXs in a One-look network can be programmed by logging in to the Master unit via Web Maintenance Console. Both the global settings (settings that apply to all PBXs) and local settings (settings that apply only to a single PBX) can be programmed without logging in to each PBX individually. It is also possible to log in to a Slave unit and program that PBX's local settings.
 - **Networking Survivability**
 - If the Master unit goes offline for some reason, a Slave unit designated as the Backup Master unit can temporarily assume operation as the Master unit. If no Master unit (including a Backup Master unit) is online, Slave units can be programmed to operate in Isolated mode.
 - IP extensions (e.g., IP-PTs, KX-UT extensions) can be programmed to connect to a secondary PBX if their primary PBX becomes unavailable.
 - A failover UM group can be specified for each UM group so that if a UM group's unit goes offline, calls directed to it will be redirected to the failover UM group.
- For details, see "14.1.6 ONE-LOOK NETWORKING SURVIVABILITY FEATURES".

Restricting CO line access through COS settings

CO lines in a One-look network are available to extensions at any site. While this feature may be desirable in some cases (for example allowing extension users to access a local CO line from a distant location to reduce call charges), COS settings can be used to reserve access to specified CO lines for extensions at a certain site.

The following example shows how to allow only extensions 101, 102, and 103 access to CO lines 1 and 2.

1. In the CO line settings, assign CO lines 1 and 2 to a unique trunk group. (Trunk group 3, in this example.)
→ 18.1 PBX Configuration—[10-1] CO & Incoming Call—CO Line Settings

Programming example

CO Line	CO Line Name	Trunk Group Number
1	CO line 1	3
2	CO line 2	3
3	CO line 3	1
:	:	:

2. In the COS settings, assign extensions 101, 102, and 103 to a unique COS. (COS 2, in this example.)
→ 12.1.1 PBX Configuration—[4-1-1] Extension—Wired Extension—Extension Settings—◆ COS
→ 12.2.1 PBX Configuration—[4-2-1] Extension—Portable Station—Extension Settings—◆ COS

Programming example

Extension Number	Extension Name	COS
101	Andrews	2
102	Barton	2
103	Cantor	2
104	Dixon	1

Extension Number	Extension Name	COS
:	:	:

3. In the COS settings, ensure that access to trunk group 3, as assigned in step 1, is not blocked for the selected COS (COS 2, as assigned in step 2), but is blocked for all other COS.
 → 10.7.2 PBX Configuration—[2-7-2] System—Class of Service—External Call Block

Programming example

COS Number	Outgoing Trunk Group			
	1	2	3	4
1			x	
2				
3			x	
4			x	
:			x	

x: Blocked

Similarly, it is possible to create a System Speed Dialing directory for a site by grouping all extensions at that site as a tenant (→ 19.1.2 Tenant Service).

Networks that span multiple time zones

The time zone is set independently for each PBX in a One-look network. The PBX can acquire the current time either automatically from the Master unit, an NTP (Network Time Protocol) server or caller ID information over ISDN, or the time can be set manually.

Certain PBX features use the local PBX's time information during operation, and other features use the Master unit's time information. The following table lists which features use which time information:

Feature	Time Source
Times in the Incoming log	Local PBX
ARS route plan	Local PBX
Time mode	Local PBX
Timed reminder	Local PBX
Holiday table	Local PBX
Time Table	Depends on system programming ¹
Summer time (Daylight saving time)	Local PBX
Hospitality features	Master unit
SMDR information	Master unit
Master password	Local PBX
Scheduled update	Local PBX
Periodic maintenance	Local PBX

Feature	Time Source
LPR Time	Local PBX
PT idle time display	Local PBX
PT Time format (12H/24H)	Master Unit
PS idle time display	Local PBX
PS note alarm	Local PBX
Activation key expiration	Master Unit
Error log	Local PBX
SNMP, syslog	Local PBX
File time stamp	Local PBX
CTI applications (first and third party)	Uses computer's time
Time sent to UM	Local PBX
UM time reading	Uses UM's time

*1 → 14.6 PBX Configuration—[6-6] Feature—Tenant—◆ Time Service Mode

Conditions

- KX-NSN001 (Activation Key for One-look Network) is required for each PBX in the network to use this feature.
- A maximum of 15 Slave units can be registered to the Master unit.
- Tenants (→ 19.1.2 Tenant Service) and ICD groups (→ 10.1.1 ICD GROUP FEATURES) can contain extensions from multiple sites, and therefore multiple time zones. For time-sensitive operations, such as Time Service (→ 19.1.3 Time Service), system programming specifies which PBX's clock is used to determine the current time.
→ 14.6 PBX Configuration—[6-6] Feature—Tenant—◆ Time Service Mode
- Due to hardware constraints, the following resources are not shared between sites:
 - Echo canceller
 - OGM
 - BGM
 - VoIP resources
 - PS handover
 - Network time synchronization signal
- The Master unit must be running for the One-look network to operate.
- It is recommended that One-look networks be located in one country/area. Operation cannot be guaranteed for One-look networks that span multiple countries/areas.

Installation Manual References

- 2.1.1 System Configurations
- 8.4.1 One-look Network

PC Programming Manual References

- 10.1.1 PBX Configuration—[2-1-1] System—Date & Time—Date & Time Setting
- 10.1.2 PBX Configuration—[2-1-2] System—Date & Time—SNTP / Daylight Saving

Feature Manual References

- 14.1.5 One-look Network—IP Network Type Comparison
- 15.1.3 PC Programming

14.1.5 One-look Network—IP Network Type Comparison

Description

This section summarizes the main differences between the two methods for connecting PBXs over an IP network: One-look networking and H.323 (VoIP) QSIG networking. It also explains which situations each type of network is suited for.

Overview of characteristics

Item	One-look Network	H.323 QSIG Network
Connection type	Private IP network	Private IP network
Compatible PBX type	<ul style="list-style-type: none"> • KX-NS1000 	<ul style="list-style-type: none"> • KX-NS1000 • KX-NCP series • KX-TDE series • KX-TDA series
PBX relationship	Master–Slave	Independent
Programming and configuration	Unified: Settings made on the Master unit are automatically propagated to Slave units.	Independent: Each PBX in the network must be programmed individually.
Maximum number of nodes	16 (1 Master, 15 Slaves)	512
Minimum system requirements	One KX-NSN001 (Activation Key for One-look Network) per PBX	One V-IPGW card per PBX ^{*1}

*1 For non-KX-NS1000 PBXs, requirements may differ.

When to choose a One-look network

If the network will consist only of KX-NS1000 PBXs and a private IP network is feasible, then a One-look network is probably the better option. A considerable amount of setup is done automatically by the PBXs, so setup and maintenance is much simpler. All units can be programmed from one location. This simple setup and programming means that the PBX network can be expanded with considerably less effort.

Extensions are managed so they behave as if they were all connected to one PBX, which eliminates the need to manage information such as PBX access codes.

However, resource sharing also requires a lot of bandwidth, since the Master unit must constantly monitor and manage the status of the Slave units and connected devices. Therefore, if bandwidth is a concern, an H.323 QSIG network may be preferable.

When to choose an H.323 QSIG network

If the network will include non-KX-NS1000 PBXs (e.g., KX-TDE200, KX-NCP500), then an H.323 QSIG network is necessary.

An H.323 QSIG network is preferable if strict resource separation between sites is necessary. Although it is possible to reserve certain resources for certain extension users in a One-look network, the default is to share resources. On the other hand, in a QSIG network, resources are not available to extension users of other PBXs without explicit programming.

Programming and configuring an H.323 QSIG network is much more complex than a One-look network.

It is also possible to connect a One-look network to other PBXs via QSIG. In an H.323 QSIG network, the One-look network appears as one PBX. The Master unit represents the One-look network.

Installation Manual References

- 8.4.1 One-look Network
- 8.4.3 H.323 QSIG Network
- 8.4.4 Working with Multiple PBX Networks

Feature Manual References

- 15.1.12 PRIVATE NETWORK FEATURES
- 15.1.23 Private Network Features—VoIP (Voice over Internet Protocol)

14.1.6 ONE-LOOK NETWORKING SURVIVABILITY FEATURES

Description

A One-look network can be configured so that even if the KX-NS1000 at a site fails or is otherwise disconnected from the network, operation of the One-look network as a whole continues. The following network survivability features are available:

Feature	Explanation
Backup Master Mode	If the Master unit fails, a Slave unit designated as the Backup Master unit assumes operation as the Master unit. SIP trunks connected through the Master unit can also be configured to switch operation to the Backup Master unit. → 3.1.1 Backup Master Mode and Isolated Mode
Isolated Mode	If the Master unit fails and either (1) there is no Backup Master unit or (2) the Backup Master unit also fails, the Slave units continue operating independently. → 3.1.1 Backup Master Mode and Isolated Mode
Automatic Rerouting to Secondary PBX	If the unit to which an IP extension (e.g., IP-PT, KX-UT extension) is connected fails, the extension can automatically switch its connection to a secondary PBX. → 2.1.7 Automatic Rerouting to Secondary PBX

Feature	Explanation
UM Group Failover	<p>When a PBX goes offline, incoming calls routed to the UM group of the PBX can be automatically redirected to another PBX's UM group.</p> <p>→ 20.1.1 UM Group Failover</p>

14.1.7 One-touch Dialing

Description

A proprietary telephone (PT) user can make a call or access a feature with a one-touch operation. This is possible by storing the number, such as an extension number, telephone number, or feature number in a One-touch Dialing button.

Example: One-touch Voice Mail Feature Access

It is possible to assign a One-touch Dialing button for direct access to a Unified Messaging feature (→ 20.1.2 UNIFIED MESSAGING FEATURES). For example, to record a message to mailbox number 123 directly and the UM group's floating extension number is 165, assign "**165#6123**" to a One-touch Dialing button. When pressing this button, the mailbox's greeting message will be heard.

Conditions

- **One-touch Dialing Button**
Any flexible button can be customized as a One-touch Dialing button.
- **Full One-touch Dialing**
There is no need to go off-hook before pressing a One-touch Dialing button.

PC Programming Manual References

- 12.1.1 PBX Configuration—[4-1-1] Extension—Wired Extension—Extension Settings—Option 6—◆ Flexible Button Programming Mode
- 12.1.4 PBX Configuration—[4-1-4] Extension—Wired Extension—Flexible Button
 - ◆ Type
 - ◆ Dial (for One-touch)
- 12.2.1 PBX Configuration—[4-2-1] Extension—Portable Station—Extension Settings—Option 6—◆ Flexible Button Programming Mode
- 12.2.3 PBX Configuration—[4-2-3] Extension—Portable Station—Flexible Button
 - ◆ Type
 - ◆ Dial (for One-touch)

Feature Manual References

- 7.1.3 Flexible Buttons
- 23.1 Capacity of System Resources

Operating Manual References

- 1.3.47 One-touch Dialing

14.1.8 Operator Features

Description

Any extension or Incoming Call Distribution (ICD) group can be designated as an operator. This PBX supports the following types of operators:

Type	Description
PBX operator	An extension or ICD group can be assigned as a PBX operator for each time mode (day/lunch/break/night).
Tenant operator	An extension or incoming call distribution group can be assigned as a tenant operator. The tenant operator may be the extension or ICD group of another tenant. [Example] Extension 110 in tenant 1 is the tenant operator of tenant 3.

Operator Call:

An extension user can call an operator by dialing the preprogrammed Operator Call feature number. The destination of the Operator Call depends on the following:

- If the Tenant Service is not in use:
The call is directed to the PBX operator according to the corresponding time mode.
- If the Tenant Service is in use:
The call is directed to the extension's tenant operator. If a tenant operator is not assigned, the call is directed to the PBX operator. In this case, the current time mode of the extension's tenant is used to determine the PBX operator that the call is directed to.

If neither a tenant operator nor a PBX operator is assigned, the caller will hear a reorder tone.

Conditions

- An extension or ICD group can be assigned as both a tenant operator and the PBX operator.
- The same tenant operator can be assigned as the operator for multiple tenants.

PC Programming Manual References

- 10.2 PBX Configuration—[2-2] System—Operator & BGM—◆ PBX Operator—Day, Lunch, Break, Night
- 14.6 PBX Configuration—[6-6] Feature—Tenant—◆ Operator (Extension Number)

Feature Manual References

- 19.1.2 Tenant Service
- 23.1 Capacity of System Resources

Operating Manual References

- 1.2.1 Making Calls

Section 15

Features and Configurations—P

15.1 P

15.1.1 Paging

Description

An extension user can make a voice announcement to several people at once. The announcement is heard through the built-in speakers of proprietary telephones (PTs) and/or external pagers (loudspeakers) which belong to a paging group. The PBX can connect to one external pager. The paged person can answer the page from a nearby telephone. It is possible to page with a call on hold in order to transfer the call.

Paging Deny:

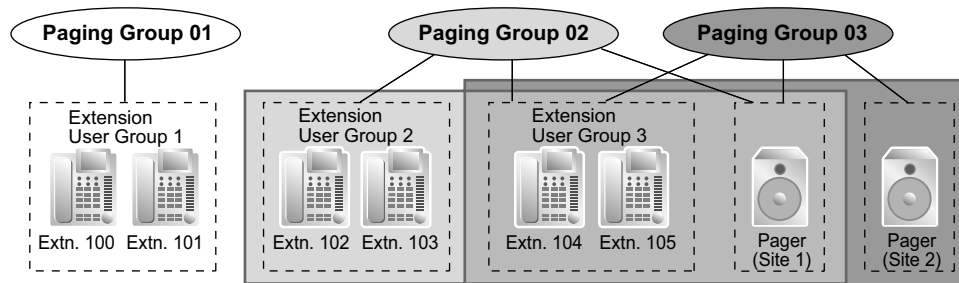
It is possible to deny being paged on an extension basis.

Paging Group

Each paging group consists of extension user groups and external pagers. One extension user group or external pager can belong to several paging groups. In a One-look network, external pagers at any site can be assigned to a paging group.

(→ 8.1.1 GROUP FEATURES)

[Example]



[Programming Example]

Paging Group No.	Extension User Group No. ¹				External Pager ²			
	001	002	003	...	Site 1	Site 2	Site 3	...
01	✓		
02		✓	✓	...	✓			...
03			✓	...	✓	✓		...
04			
05	✓	✓	✓	...	✓	✓	✓	...
:	:	:	:	...	:	:	:	...

✓: Constituent

¹ → 11.4 PBX Configuration—[3-4] Group—Paging Group

or

11.4.1 PBX Configuration—[3-4] Group—Paging Group—All Setting

² → 11.4.2 PBX Configuration—[3-4] Group—Paging Group—External Pager

Conditions

- Paging announcements cannot be heard at the following types of extensions:
 - Portable stations (PSs)
 - Single line telephones (SLTs)
 - Ringing or busy PTs
 - PTs in Paging Deny mode
 - PTs in Paging DND mode
 - IP-PTs assigned to extension user group 31 (default)¹
 - Non-KX-UT series SIP phones

Although paging announcements cannot be heard at these types of extensions, they can answer paging announcements.

¹ Changing the extension user group of the extension, allows it to receive pages. However, doing so may affect the number of simultaneous IP extension and IP CO line calls available on the mother board.

- **External Pager Priority**
External pagers can be used with the following priorities:
Trunk Answer From Any Station (TAFAS) → Paging → Background Music (BGM)
(→ 19.1.1 TAFAS (Trunk Answer From Any Station), → 3.1.2 BGM (Background Music))
- **Volume Control**
The volume level of pages heard from PTs and external pagers can be changed through system programming.
- **Paging DND**
When Do Not Disturb (DND) (→ 5.1.11 DND (Do Not Disturb)) is set for incoming calls, it is programmable whether an extension receives paging through system programming.

PC Programming Manual References

- 10.6.1 PBX Configuration—[2-6-1] System—Numbering Plan—Main—Features
 - ◆ Group Paging
 - ◆ Group Paging Answer
 - ◆ Paging Deny Set / Cancel
- 10.9 PBX Configuration—[2-9] System—System Options
 - Option 1—◆ PT Fwd / DND—Paging to DND Extension
 - Option 3—◆ Confirmation Tone—Tone 2 : Paged / Automatic Answer
- 10.11.1 PBX Configuration—[2-11-1] System—Audio Gain—Paging/MOH
 - ◆ Paging—EPG 1 (External Pager 1)
 - ◆ Paging—Paging Level from PT Speaker
- 11.4 PBX Configuration—[3-4] Group—Paging Group
 - 11.4.1 PBX Configuration—[3-4] Group—Paging Group—All Setting
 - 11.4.2 PBX Configuration—[3-4] Group—Paging Group—External Pager
- 12.1.1 PBX Configuration—[4-1-1] Extension—Wired Extension—Extension Settings

Feature Manual References

- 23.1 Capacity of System Resources

Operating Manual References

- 1.3.48 Paging

15.1.2 Pause Insertion

Description

Pressing a PAUSE button inserts a preprogrammed Pause time between digits of a user-dialed number before the number is dialed out, allowing certain numbers separated with a pause to be used to access certain features (e.g., access codes, seizing idle lines, etc.).

When a pause is needed, pauses must be inserted manually (pressing the PAUSE button) in all cases, except for the following access codes where a pause is automatically inserted between the user-dialed access code and the subsequent digits:

- a. Host PBX Access code (→ 9.1.5 Host PBX Access Code (Access Code to the Telephone Company from a Host PBX))
- b. Special Carrier Access code (→ 18.1.6 Special Carrier Access Code)
- c. Second Dial Tone Waiting code

Conditions

- The length of a pause is programmable for each CO line.
- Numbers stored in Memory Dialing can contain pauses.
- When a Second Dial Tone Waiting code is dialed after seizing a CO line, a preprogrammed number of pauses are inserted after the code.
- **ARS**
A pause is not automatically inserted between the user-dialed access code and the subsequent digits when the ARS mode is enabled. (→ 2.1.3 ARS (Automatic Route Selection))

PC Programming Manual References

9.25 PBX Configuration—[1-1] Configuration—Slot—Port Property - LCO Port—◆ Pause Time

10.3 PBX Configuration—[2-3] System—Timers & Counters—Miscellaneous—◆ During Conversation—Pause Signal Time

14.4 PBX Configuration—[6-4] Feature—Second Dial Tone

15.1.3 PC Programming

Description

There are three levels of authorization for programming the PBX, where each level controls which settings the programming is allowed to access and change. The three levels are as follows:

Level	Description	Number of Accounts/Network
Installer	For dealers and system installers	1
User (Administrator)	For on-site managers	32
User (User)	For end users	Up to 1512 ^{*1}

*1 The total number of administrator and user accounts combined cannot exceed 1512.

Conditions

- Each account is assigned a password that is required to log in.

- Users can be added using the Add User Wizard.

CAUTION

To the Administrator or Installer regarding account passwords

1. Please provide all system passwords to the customer.
2. To avoid unauthorized access and possible abuse of the PBX, keep the passwords secret, and inform the customer of the importance of the passwords, and the possible dangers if they become known to others.
3. The PBX has no passwords set initially. For security, select an installer password as soon as the PBX system is installed at the site.
4. Change the passwords periodically.
5. It is strongly recommended that passwords of 10 numbers or characters be used for maximum protection against unauthorized access.

Installation Manual References

- 5.3 Starting Web Maintenance Console

PC Programming Manual References

- 2.1.1 Web Maintenance Console Accounts
- 2.1.2 Access Levels
- 8.2 Users—Add User

Operating Manual References

- 3.2 System Programming Using Web Maintenance Console

15.1.4 PDN (Primary Directory Number)/SDN (Secondary Directory Number) Extension

Description

Primary Directory Number (PDN) buttons and Secondary Directory Number (SDN) buttons are ideal for use between bosses and secretaries. When a call (intercom or CO) arrives at a PDN button on the boss's extension, the call will ring and the LED of the SDN button will flash at the secretary's extension as well, indicating that an incoming call is arriving at the boss's extension. In addition, caller information (e.g., Caller ID) of the incoming call will appear on the secretary's extension. The secretary can answer the call for the boss by simply pressing the SDN button. Delayed ringing can be set for a PDN or SDN button.

A secretary can hold a call answered on the SDN button, and the boss can retrieve the held call simply by pressing the PDN button, like when answering a call with an S-CO button. In addition, a secretary can transfer calls from an SDN button or other button (e.g., S-CO button) to the boss's extension with a simple operation, like when using a DSS button.

An extension can have several SDN buttons, each registered to a different boss's extension. However, only one SDN button can be registered for a single boss at each extension. An extension can have up to eight PDN buttons. PDN buttons can simplify the use of an extension because both intercom and CO line calls can be made and received at a PDN button.

Making Calls with an SDN Button

When Standard SDN Key mode is assigned to an SDN extension (secretary) through COS programming, SDN extensions (secretaries) can make calls for PDN extensions (bosses) on the SDN button. For example, a boss can ask a secretary to make a call and put the call on hold, after which, the boss can retrieve the held call. Through COS programming, it is possible to allow an SDN extension to make calls using the COS of the PDN extension. All other settings that are available when using the Walking COS feature are also applied (→ 22.1.1 Walking COS).

SDN Direct Dial

An SDN extension can call a PDN extension or transfer a call to a PDN extension using an SDN button.

In this case:

- Only the PDN extension rings (i.e., other SDN extensions do not ring).
- The delayed ringing and DND settings of the PDN extension are ignored.

Depending on the mode selected through COS programming, SDN Direct Dial is performed in one of two ways, as follows:

- Enhanced DSS Key mode: pressing the SDN button once.
- Standard SDN Key mode: pressing the SDN button twice (a dial tone is heard the first time the SDN button is pressed).

Calls answered using the SDN button can be transferred to the PDN extension by simply pressing the SDN button once, regardless of the mode.

LED Indication

The LED patterns and the corresponding status of PDN and SDN buttons are as follows:

Light Pattern	PDN Button Status	SDN Button Status
Off	This extension is idle.	The corresponding PDN extension is idle.
Green on	The extension is on a call using the PDN button.	The extension is on a call using the SDN button.
Slow green flashing	A call is on hold using the PDN button.	A call is on hold using the SDN button.
Moderate green flashing	<ul style="list-style-type: none"> • A call on a PDN button is on Exclusive Call Hold or consultation hold. • The PDN extension is adding a member to a conference or using the line for an Unattended Conference, on a PDN button. 	<ul style="list-style-type: none"> • A call answered using the SDN button is on Exclusive Call Hold or consultation hold. • The SDN extension is adding a member to a conference, or using the line for an Unattended Conference.
Rapid green flashing	An incoming call is arriving at this extension.	Receiving Hold Recall or automatic callback ringing from a call answered using the SDN button.

Light Pattern	PDN Button Status	SDN Button Status
Red on	A corresponding SDN extension is: <ul style="list-style-type: none"> on a call. holding the line using Exclusive Call Hold or consultation hold. adding a member to a conference. using the line for an Unattended Conference. receiving Hold Recall or automatic callback ringing. 	The corresponding PDN extension or another corresponding SDN extension is: <ul style="list-style-type: none"> on a call. holding the line using Exclusive Call Hold or consultation hold. adding a member to a conference. using the line for an Unattended Conference. receiving an incoming call directed only to the PDN extension (e.g., callback ringing).
Slow red flashing	A call is on hold by a corresponding SDN extension.	A call is on hold by the corresponding PDN extension or another corresponding SDN extension.
Rapid red flashing	A call is arriving at an Incoming Call Distribution (ICD) group in Ring Distribution method that this extension is a member of.	The corresponding PDN extension is receiving an incoming call.

When multiple calls are on a PDN extension, the LED pattern that appears on the corresponding SDN buttons is displayed according to the following priority:

Receiving an incoming call → holding a call → on a call → idle

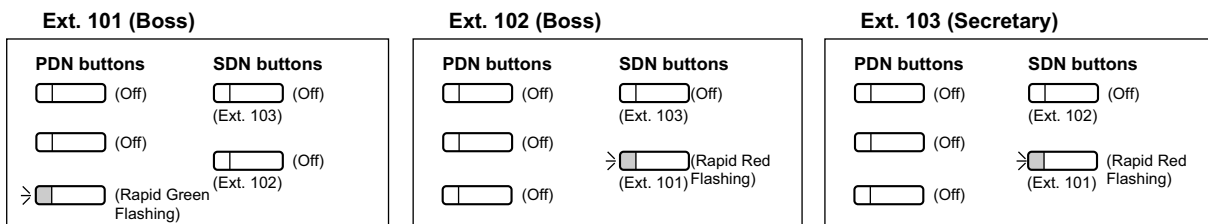
For example, if a PDN extension receives an incoming call while on a call, the LEDs on the corresponding SDN extensions will show the incoming call.

However, if an SDN extension is handling a call using the SDN button (e.g., on a call, has a call on hold, etc.), the status of that call will be displayed on the SDN button, regardless of the call status of the PDN extension.

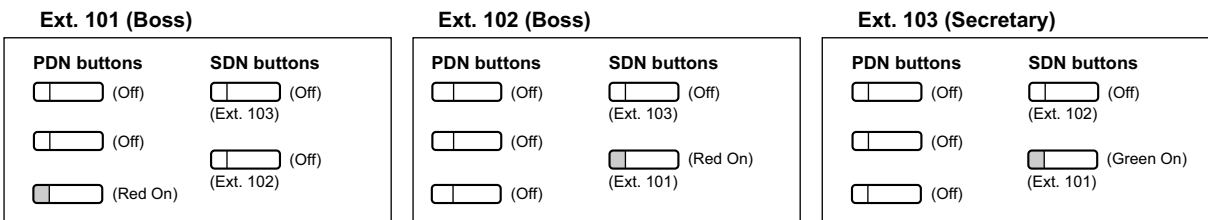
Example of a Secretary Handling Calls for Multiple Bosses

The following example shows the LED patterns of the PDN and SDN buttons of each extension and how calls can be handled.

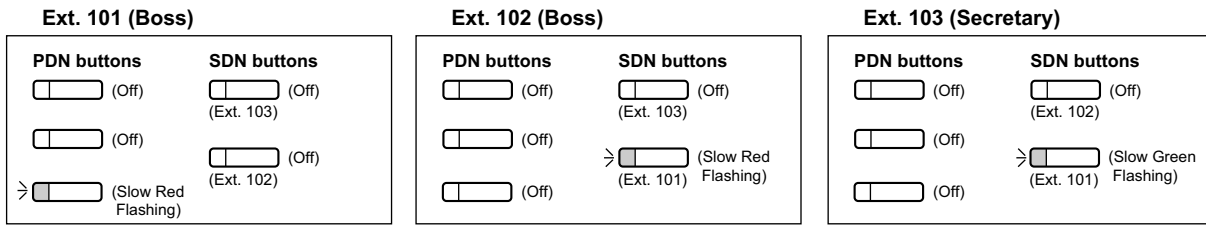
1. A Call From 111-1111 Arrives at Ext. 101



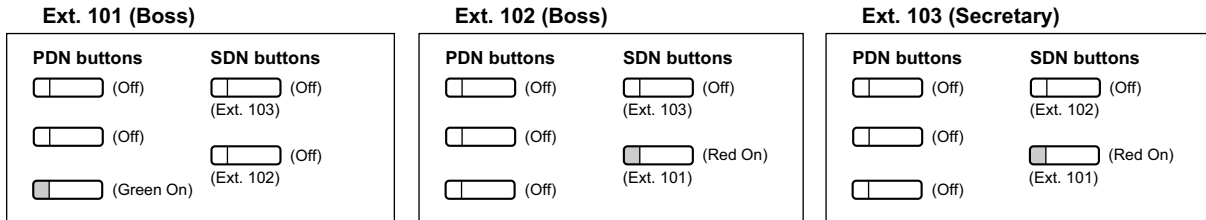
2. The Call From 111-1111 is Answered by Ext. 103



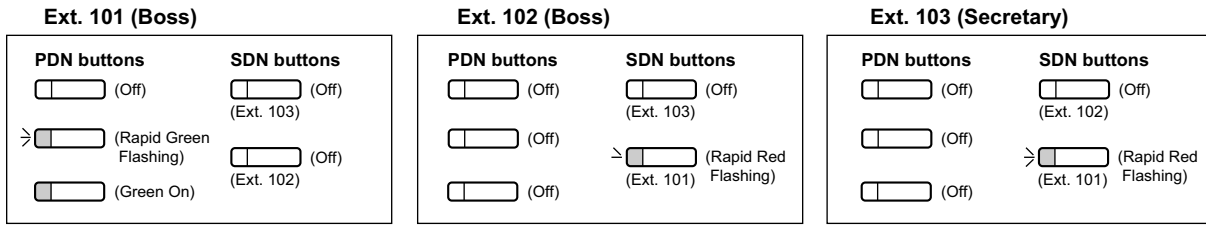
3. The Call From 111-1111 is On Hold by Ext. 103



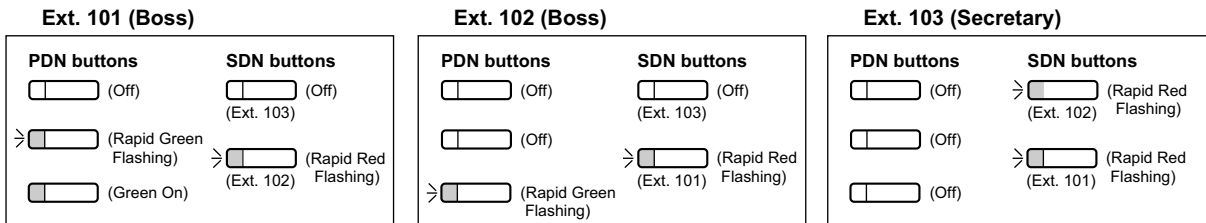
4. The Call Held by Ext. 103 is Answered by Ext. 101



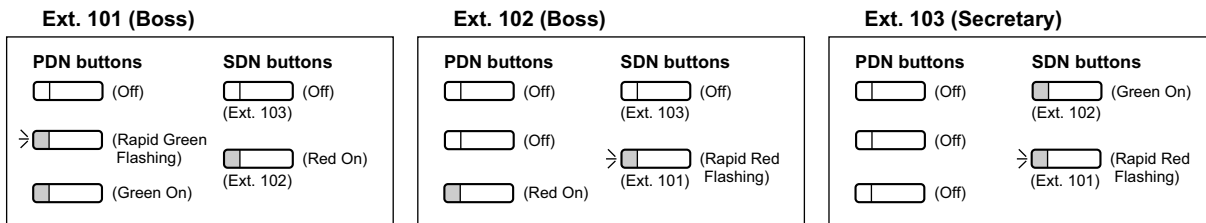
5. A Call From 222-2222 Arrives at Ext. 101



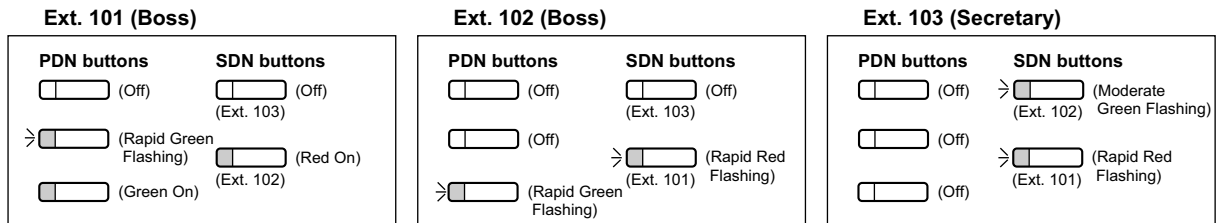
6. A Call From 333-3333 Arrives at Ext. 102



7. The Call From 333-3333 is Answered by Ext. 103



8. The Call From 333-3333 is Transferred by Ext. 103 to Extension 102



Conditions

[General]

- A flexible button of a PT and a PS can be customized as a PDN or SDN button. A flexible button on a DSS Console can be customized as an SDN button.
- An extension can have up to eight PDN buttons.
- If none of an extension's PDN buttons are idle, the extension will not receive incoming calls, including Call Waiting. Therefore, it is strongly recommended for PDN extensions to have at least three PDN buttons.
- Through COS programming, it is possible to select whether extensions can create SDN buttons on their own extensions using PT programming.
- Up to eight different extensions can assign SDN buttons corresponding to the same PDN extension.
- When a PDN extension has an idle CO line button or ICD Group button, calls will arrive on the following buttons according to the following priority:
 - Incoming intercom calls to an ICD group: ICD Group button → PDN button
 - Incoming CO line calls: S-CO button → G-CO button → L-CO button → PDN button
 - Incoming CO line calls to an ICD group: ICD Group button → S-CO button → G-CO button → L-CO button → PDN button
- When multiple calls of the same status (e.g., on hold) are on a PDN extension, the status of the newest call will be displayed on the corresponding SDN extensions. For example, if a PDN extension has two calls ringing, an SDN extension will answer the call that arrived at the PDN extension last, when pressing the SDN button.
- When a PDN extension is a member of an ICD group in Ring Distribution method, and an incoming call arrives at the ICD group, the incoming call status will not appear on the LEDs of the corresponding SDN extensions. (→ 10.1.1 ICD GROUP FEATURES)
- If none of an extension's PDN buttons are idle, DSS buttons of other extensions registered to the PDN extension will turn on red.
- **Ring Tone Pattern**
Through system programming, each extension can set ring tone patterns for PDN buttons. Ring tone patterns can be assigned separately for each SDN button.
- **Outgoing Line Preference**
When "PDN" is selected as the outgoing line preference, outgoing calls will originate on the first available PDN button (→ 12.1.3 Line Preference—Outgoing).
- **Incoming Line Preference**
Through system programming, it is possible for only incoming calls arriving at PDN buttons to be answered simply by going off-hook, by selecting "PDN" as the incoming line preference (→ 12.1.2 Line Preference—Incoming). This prohibits calls that arrive on non-PDN buttons (e.g., an SDN button) to be answered when going off-hook.
- **Walking Extension**
For PDN extensions, the Walking Extension feature can only be used when all PDN buttons are idle (→ 22.1.2 Walking Extension).
- **Wireless XDP Parallel Mode**

If a PS has PDN or SDN buttons, Wireless XDP Parallel mode cannot be assigned to that PS (→ 22.1.5 Wireless XDP Parallel Mode).

- **OHCA/Whisper OHCA**
A PDN extension cannot receive OHCA or Whisper OHCA, unless the call is made using a corresponding SDN button (→ 14.1.3 OHCA (Off-hook Call Announcement), → 22.1.4 Whisper OHCA).
- **Alternate Calling—Ring/Voice**
It is not possible to temporarily change the called party's preset call receiving method (ring tone or voice) when calling a PDN extension, unless the call is made using a corresponding SDN button (→ 10.1.13 Intercom Call).
- Through system programming, it is possible to force an extension to become idle (the SP-PHONE button light will turn off) when a speakerphone call using a PDN/SDN button is put on hold using CTI.

[Delayed Ringing]

- The same delayed ringing setting is applied to all PDN buttons on an extension. Delayed ringing can be assigned separately for each SDN button.
- Through system programming, it is possible to select whether caller information (such as Caller ID) is shown immediately on a PS when a call is received while delayed ringing is set.
- Caller information (such as Caller ID) is not shown immediately on a PT when a call is received while delayed ringing is set.
- SDN buttons can be set to not ring (only flash) for incoming calls. However, this setting is not available for PDN buttons.
- The forward no answer timer starts when a PDN extension starts ringing.

PC Programming Manual References

- 10.7.1 PBX Configuration—[2-7-1] System—Class of Service—COS Settings—PDN/SDN
- 10.8.3 PBX Configuration—[2-8-3] System—Ring Tone Patterns—Call from Others—◆ Extension—Ring Tone Pattern Plan 1–8
- 10.9 PBX Configuration—[2-9] System—System Options—Option 4—◆ System Wireless—SDN Delayed Ringing with LCD
- 10.9 PBX Configuration—[2-9] System—System Options—Option 6 (CTI)—◆ CTI Hold—Forced Idle when Hold by PDN/SDN Key
- 12.1.1 PBX Configuration—[4-1-1] Extension—Wired Extension—Extension Settings—Option 9—◆ PDN Delayed Ringing
- 12.1.4 PBX Configuration—[4-1-4] Extension—Wired Extension—Flexible Button
 - ◆ Type
 - ◆ Parameter Selection (for SDN)
 - ◆ Extension Number (for SDN)
 - ◆ Optional Parameter (Ringing Tone Type Number) (for Loop CO, Single CO, Group CO, ICD Group, SDN)
- 12.2.1 PBX Configuration—[4-2-1] Extension—Portable Station—Extension Settings—Option 9—◆ PDN Delayed Ringing
- 12.2.3 PBX Configuration—[4-2-3] Extension—Portable Station—Flexible Button
 - ◆ Type
 - ◆ Parameter Selection (for SDN)
 - ◆ Extension Number (for SDN)
- 12.3 PBX Configuration—[4-3] Extension—DSS Console

Feature Manual References

- 4.1.22 COS (Class of Service)
- 10.1.2 ICD Group Features—Group Call Distribution
- 12.1.1 LED Indication

23.1 Capacity of System Resources

Operating Manual References

- 1.3.6 Call Hold
- 1.3.50 PDN (Primary Directory Number)/SDN (Secondary Directory Number) Extension
- 1.3.73 Walking COS

15.1.5 Peer-to-Peer (P2P) Connection

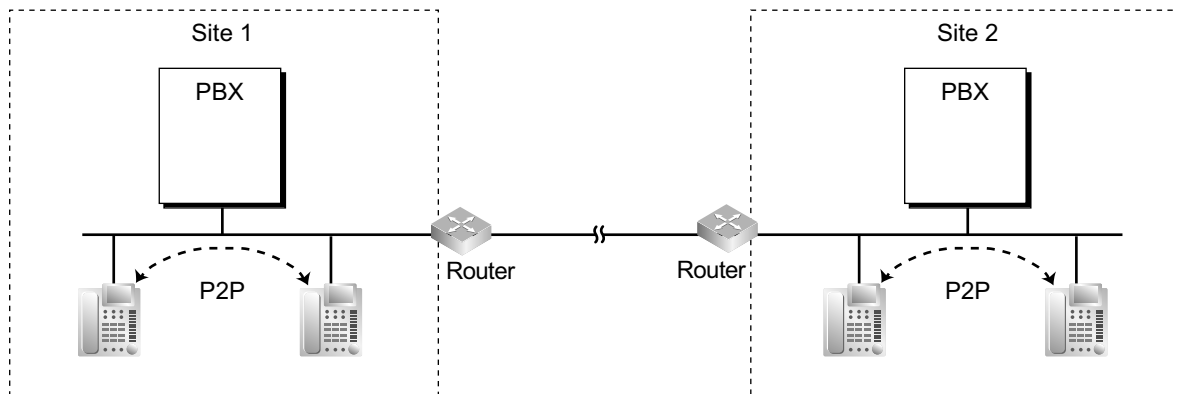
Description

This PBX automatically establishes peer-to-peer communication between peer-to-peer compatible IP extensions (i.e., IP-PTs and SIP extensions) that belong to the same P2P group. With peer-to-peer calls, the call is routed directly from one IP extension to another without going through a DSP card, which means that P2P calls are established without using the PBX's resources.

P2P Scenarios

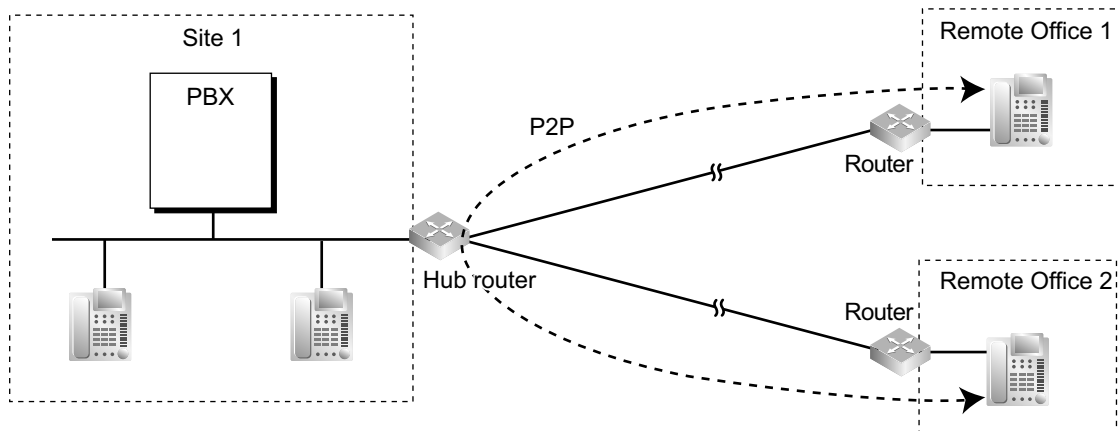
P2P calls can be established between telephones in a single site or across sites. The following illustrations show P2P calls established in a variety of network configurations. It is assumed that all the devices are connected over a private IP network.

P2P connection within a site



Calls between IP telephones within a site establish a P2P connection.

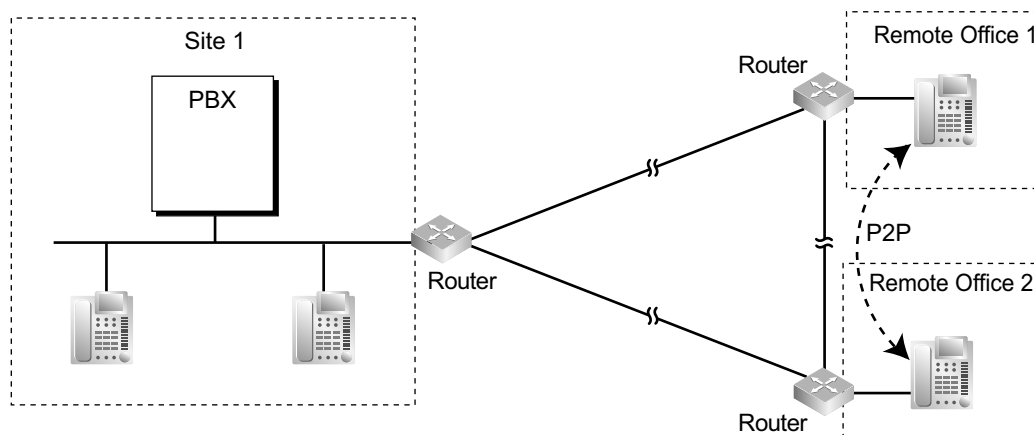
P2P connection between branch offices over a VPN (hub-and-spoke connection)¹



Calls between IP telephones in separate branch offices establish a P2P connection, using the hub router at Site 1 to communicate over a VPN.

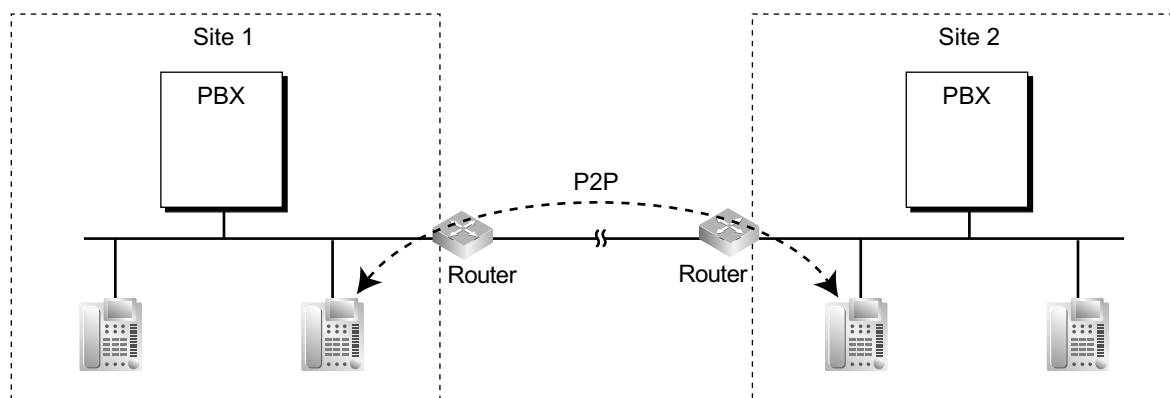
*1 When the VPN uses a hub-and-spoke (star) topology, the hub router must be configured to allow U-turn connections.

P2P connection between branch offices over a VPN (mesh connection)



Calls between IP telephones in separate branch offices establish a P2P connection directly through the VPN routers at each branch.

P2P connection between sites with multiple PBXs



Calls between telephones in separate sites, each with its own PBX, establish a P2P connection over a VPN.

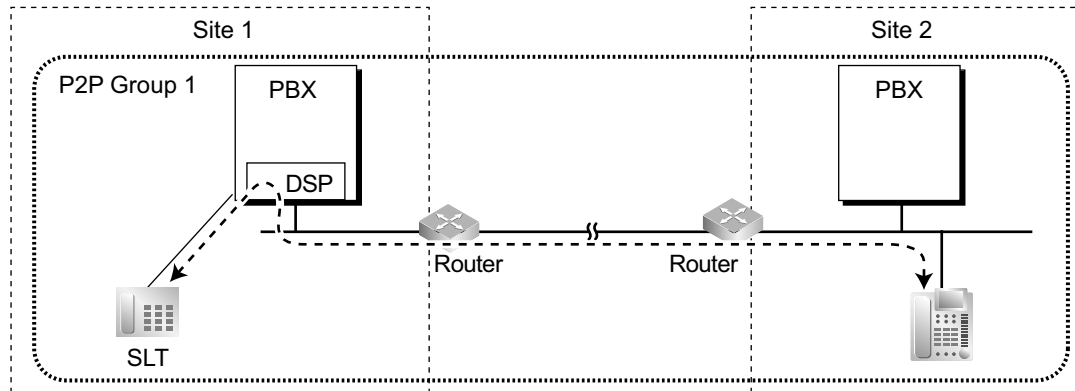
Conditions

[General]

- Three codecs are used for peer-to-peer calls: G.722, G.711, and G.729A. The speech quality of the codecs varies as follows: (High) G.722, G.711, G.729A (Low). When the preferred codec of each party differs, the call will be established using the lower codec. For example, if the caller prefers G.711 while the called party prefers G.729A, the call will be established using G.729A.
- G.722 is only available for calls between KX-NT300 series IP-PTs, KX-NT500 series IP-PTs, and some SIP extensions that support this codec during peer-to-peer communication.
- For non-KX-UT series SIP extensions, the priority of the codec that will be used can be specified via the telephone itself.
- For SIP extensions, the priority of the codec that will be used can be specified on a SIP extension basis.
- For non-peer-to-peer calls via the DSP card, calls cannot be made or received when all of the card's resources are being used.

[P2P Groups]

- Telephones must belong to the same P2P group to establish a P2P connection. Telephones at different sites can be assigned to the same P2P group.
- Calls between IP extensions in different P2P groups are established via the DSP card in "DSP-through mode". DSP-through mode is where only 1 DSP resource is required, regardless of the codec being used. If a call is made between sites in a One-look network, 1 DSP resource is required at each PBX.
(→ 5.1.16 DSP Resource Usage)
- Each PBX in a One-look network is also assigned to a P2P group. This assignment is used when a non-IP telephone (e.g., an SLT) is on a call with an IP telephone at another branch. If the PBX and the IP telephone both belong to the same P2P group, the connection is established from the PBX to the IP telephone directly.



- Calls between extensions in different P2P groups will consume DSP resources, even if both extensions belong to the same PBX (site).

Installation Manual References

4.3.3 DSP S Card (KX-NS0110), DSP M Card (KX-NS0111), DSP L Card (KX-NS0112)

PC Programming Manual References

9.15 PBX Configuration—[1-1] Configuration—Slot—V-IPEXT32—Port Property—Option—◆ IP Codec Priority
 9.21 PBX Configuration—[1-1] Configuration—Slot—V-UTEXT32—Port Property—Option—◆ UT Codec Priority - 1st—UT Codec Priority - 4th

Feature Manual References

8.1.1 GROUP FEATURES
 10.1.15 IP-PT (IP Proprietary Telephone)

15.1.6 PING Confirmation**Description**

It is possible for this PBX to confirm the connection of IP telephones, routers, and hubs within or outside the private network using PING. The PBX will send an Internet Control Message Protocol (ICMP) echo request through the PC programming terminal and receive an ICMP message confirming connection.

Conditions

- This PBX performs PING as follows:
 - Test packet length: 56 bytes
 - Ping attempts: 5
 - Time out length: 1 second
 - Ping interval time: 1 second

PC Programming Manual References

7.1.2 Utility—Diagnosis—Ping

15.1.7 Power Failure Restart

Description

When the electricity is turned back on, the PBX restarts, loads its stored data automatically, and logs the event as a System Restart in the error log.

Conditions

- In the event of a power failure, PBX memory is protected by a factory-installed lithium battery. There is no memory loss except the memories of Automatic Callback Busy (Camp-on) (→ 2.1.4 Automatic Callback Busy (Camp-on)) and Call Park (→ 4.1.7 Call Park).

15.1.8 Power Failure Transfer

Description

If the power supply to the PBX fails, specific single line telephones (SLTs) are automatically connected to specific CO lines (**Power Failure Connections**). The PBX will switch from the current connections to the Power Failure Connections, and all existing conversations will be disconnected.

Only CO line conversations handled by Power Failure Connections can be made during a power failure.

Conditions

- Only CO line calls can be made during a power failure. All other features do not work.
- Through system programming, it is possible to allow CO line calls that are established during a power failure to be maintained even when the power returns and the connection is switched back to the normal configuration from the Power Failure Connection. However, if no special programming is performed, the connection will be dropped when power returns.
- The ports on the LCOT2+SLC2 card that can be used as PFT ports (ports that can be used for Power Failure Connections) are as follows:
 - CO line Port:** LCOT1 port
 - Extension Port:** SLC1 port
- To use Power Failure Transfer on a legacy gateway, refer to the documentation of the appropriate PBX.

Installation Manual References

4.12 Power Failure Ports

PC Programming Manual References

19.3 PBX Configuration—[11-3] Maintenance—Power Failure Transfer

15.1.9 Predialing

Description

A display proprietary telephone (PT) user can check and correct the number to be dialed on-hook. The call will be initiated after going off-hook.

Conditions

- **Storing the Predialed Number in Personal Speed Dialing**
The predialed number can be stored in Personal Speed Dialing by pressing the AUTO DIAL/STORE button (→ 18.1.7 Speed Dialing, Personal). In this case, the extension will enter personal programming mode automatically so that a name can be assigned to the stored number.

Operating Manual References

3.1.2 Personal Programming

15.1.10 Printing Message

Description

An extension user can select a message to be output on SMDR. Up to eight messages can be preprogrammed in the Printing Message table, and are available to all extensions connected to the PBX. A message can contain the "%" symbol, which requires a number to be entered in its place when the message is selected at an extension.

Depending on the content of the preprogrammed messages, this feature can be used to record a variety of information, which can be output on SMDR to, for example, a connected PC.

[Example]

If message 1 is preprogrammed as "Started work", and message 2 as "Finished work", employees can sign in by selecting message 1 when starting work, and sign out by selecting message 2 when finishing. A connected PC can then be used to generate employee work records.

Conditions

- Up to seven "%"s can be stored for each message.

PC Programming Manual References

10.6.1 PBX Configuration—[2-6-1] System—Numbering Plan—Main—Features—◆ Printing Message

14.2 PBX Configuration—[6-2] Feature—Hotel—Main—◆ SMDR for External Hotel Application 2—Printing Message 1–8

Feature Manual References

18.1.4 SMDR (Station Message Detail Recording)

23.1 Capacity of System Resources

Operating Manual References

1.3.51 Printing Message

15.1.11 Privacy Release

Description

By default, all conversations which take place on CO lines, extension lines and doorphone lines are protected from others interrupting the conversation (**Automatic Privacy**).

Privacy Release allows a proprietary telephone (PT) or portable station (PS) user to suspend Automatic Privacy for an existing CO line call on the S-CO button in order to establish a three-party call.

System programming is required to enable or disable this feature.

Conditions

- **S-CO Button**
Any flexible button can be customized as the S-CO button.
- **Privacy Release Time**
Privacy is released for five seconds to allow the conversation to be joined.
- This feature overrides Data Line Security (→ 5.1.1 Data Line Security) and Executive Busy Override Deny (→ 6.1.5 Executive Busy Override).

PC Programming Manual References

10.9 PBX Configuration—[2-9] System—System Options—Option 1—◆ PT Operation—Privacy Release by SCO key

12.1.4 PBX Configuration—[4-1-4] Extension—Wired Extension—Flexible Button—◆ Type

12.2.3 PBX Configuration—[4-2-3] Extension—Portable Station—Flexible Button—◆ Type

Feature Manual References

7.1.3 Flexible Buttons

Operating Manual References

1.3.15 Conference

15.1.12 PRIVATE NETWORK FEATURES

Description

A TIE line is a privately leased communication line between two or more PBXs, which provides cost effective communications between company members at different locations.

Interface

The following interfaces can be used to establish a private network:

Interface	Network Type
VoIP (H.323)	Internet Protocol (IP)

Interface	Network Type
PRI (QSIG)	Digital (ISDN 23B+D)
T1 (TIE [E & M]) ^{*1}	Digital (64 kbps × 24 channels)

^{*1} For details about establishing a TIE line connection over a T1 interface, refer to the documentation of the legacy gateway through which the connection will be made.

The available interfaces depend on the cards installed in the PBX.

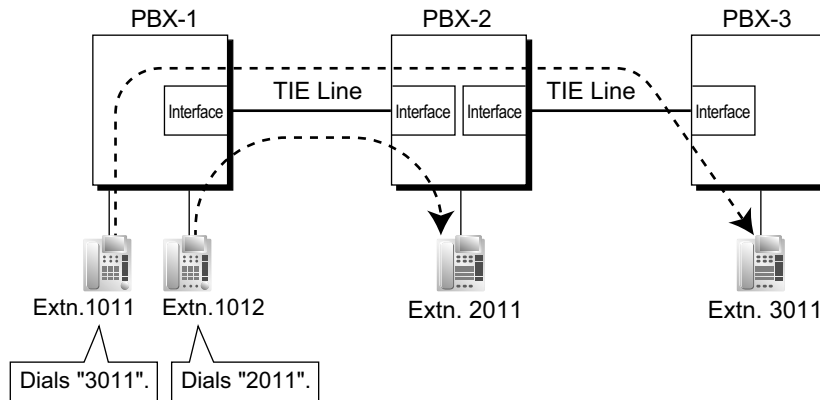
Making a TIE Line Call

One of the following two methods can be used to make a TIE line call.

a. Extension Number Method (Access without PBX Code)

Dial the [Extension Number] only.

[Example]



Explanation:

To use this method, it is necessary to change the first one or two digits of extension numbers of either PBX (e.g., 10XX for PBX-1, 20XX for PBX-2) to allow calls to be routed properly.

Case 1:

Extension 1012 of PBX-1 dials extension number "2011".
→ Extension 1012 of PBX-1 is connected to extension 2011 of PBX-2.

Case 2:

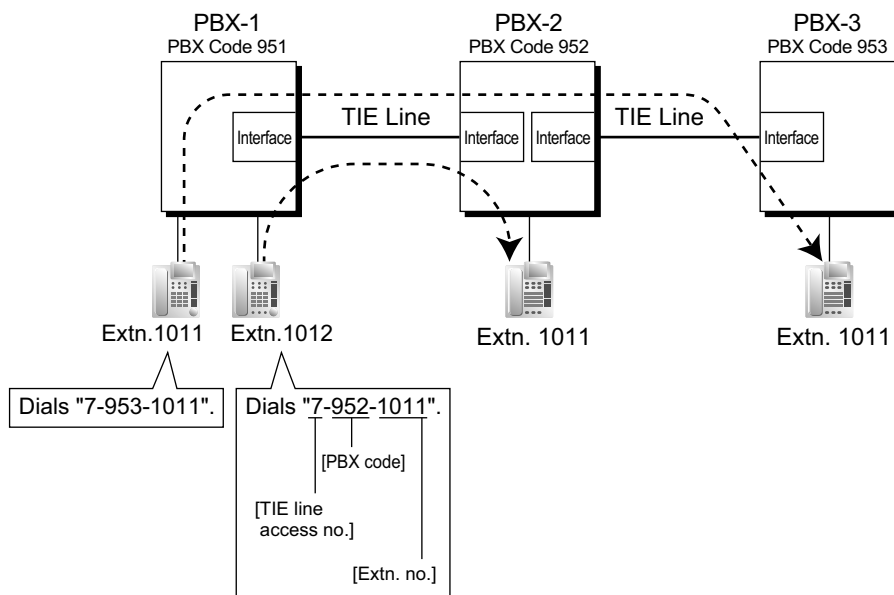
Extension 1011 of PBX-1 dials extension number "3011".
→ Extension 1011 of PBX-1 is connected to extension 3011 of PBX-3.

b. PBX Code Method (Access with PBX Code)

Dial the [TIE Line Access Number] + [PBX Code] + [Extension Number].

10.6.1 PBX Configuration—[2-6-1] System—Numbering Plan—Main—Features—◆ TIE Line Access

17.1 PBX Configuration—[9-1] Private Network—TIE Table—◆ Own PBX Code

[Example]**Explanation:**

To use this method, it is necessary to know each PBX code in order to identify the location of an extension.

Case 1:

Extension 1012 of PBX-1 dials TIE line access number "7", PBX code "952", and extension number "1011".

→ Extension 1012 of PBX-1 is connected to extension 1011 of PBX-2.

Case 2:

Extension 1011 of PBX-1 dials TIE line access number "7", PBX code "953", and extension number "1011".

→ Extension 1011 of PBX-1 is connected to extension 1011 of PBX-3.

TIE Line and CO Line Connection

To connect the TIE line with the CO line, the following patterns are available:

1. CO Line-to-TIE Access
2. TIE-to-CO Line Access
3. CO Line-to-TIE-to-CO Line Access

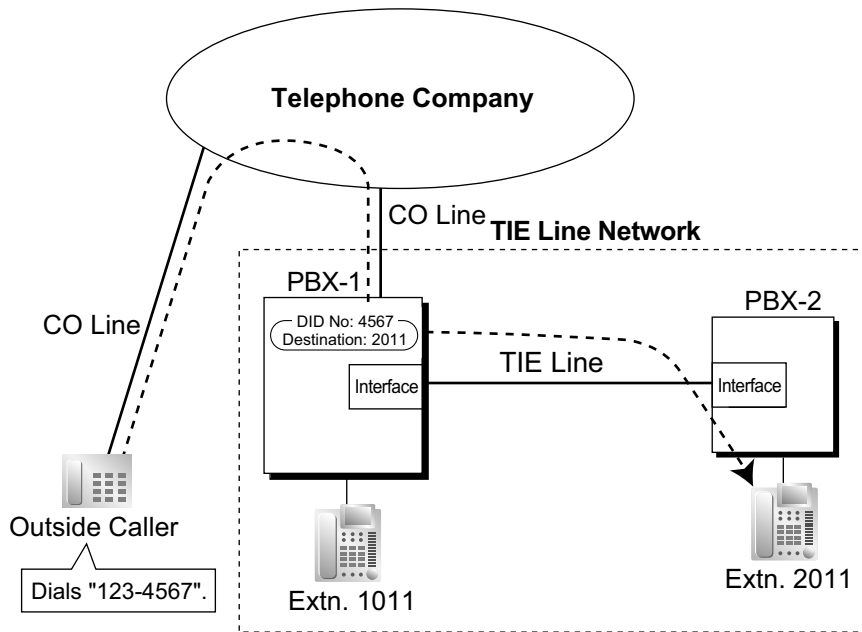
CO Line-to-TIE Access

It is possible to assign an extension of another PBX as the destination of incoming CO line calls to the own PBX.

It is also possible to forward calls using a virtual PS. Using this method, CO line calls received at PBX-1 are forwarded directly to the extension at PBX-2, even when using the PBX Code method.

a. Incoming CO Line Call Destination Assignment

[Example]



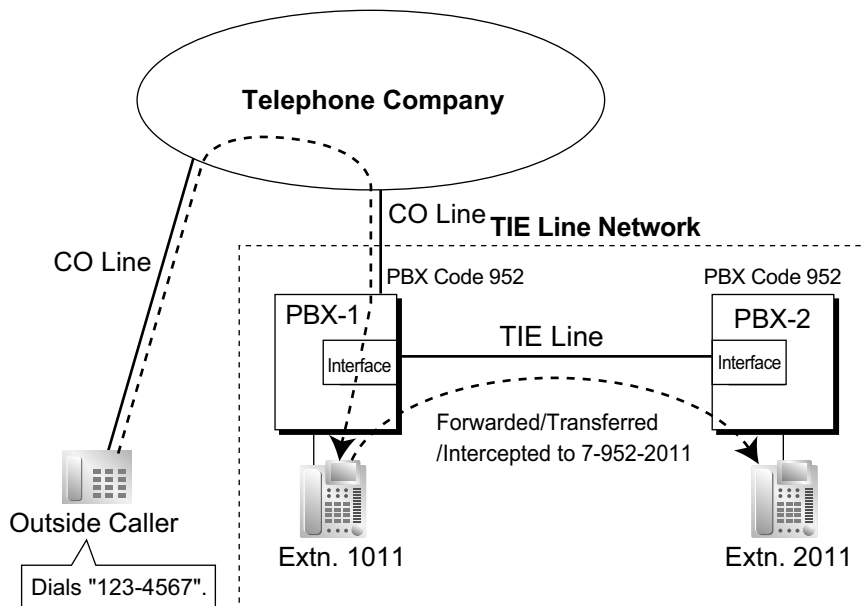
Explanation:

An outside caller dials "123-4567". The call is sent to extension "2011" of PBX-2 through the TIE line according to the assignment of the DID or DIL call destination of PBX-1. (→ 5.1.7 DID (Direct Inward Dialing))

→ 18.3 PBX Configuration—[10-3] CO & Incoming Call—DDI / DID Table—◆ DDI / DID Destination—Day, Lunch, Break, Night

b. FWD/Call Transfer/Intercept Routing to the TIE Line

[Example]



Explanation:

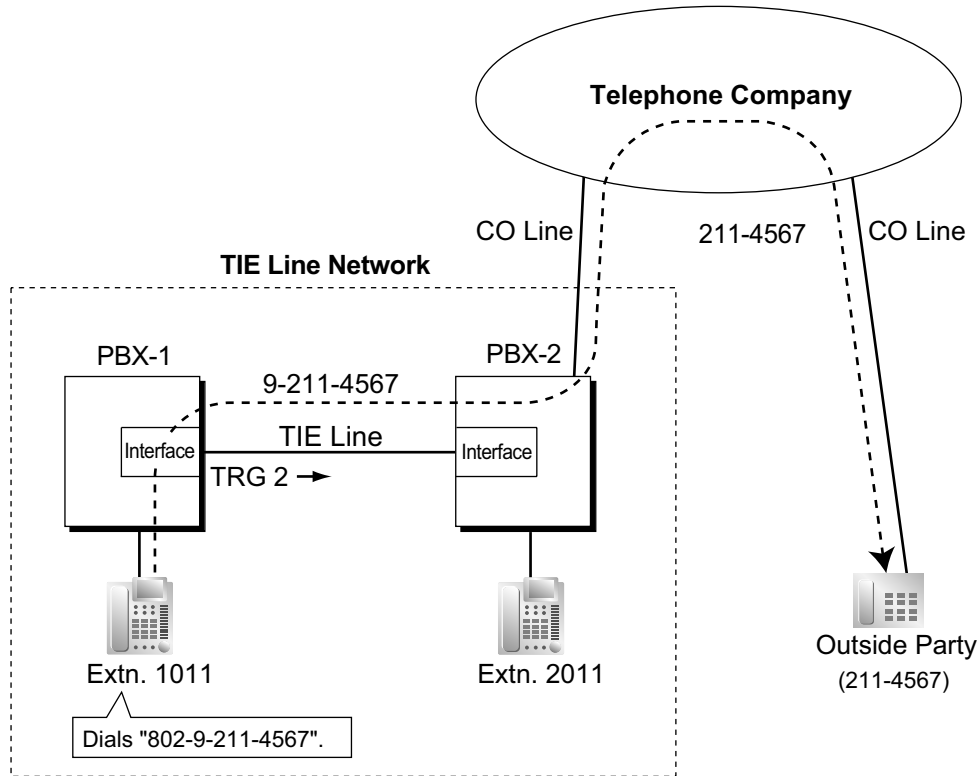
An outside caller dials "123-4567". The call reaches the destination (extension 1011 of PBX-1), and the call is forwarded, transferred, or intercepted to extension "2011" of PBX-2 through the TIE line.

TIE-to-CO Line Access

The PBX sends TIE line calls to the CO lines of another PBX through the TIE lines.

a. CO Line Call through Other PBXs [Example]

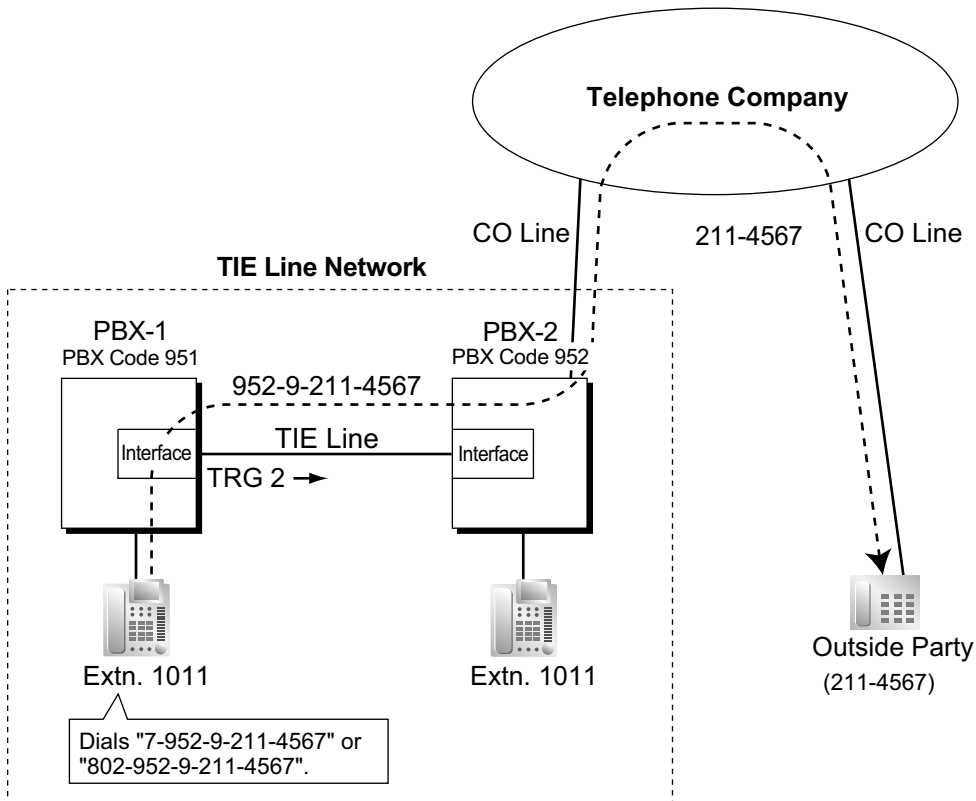
<Extension Number Method (Access without PBX Code)>



Explanation:

1. Extension 1011 of PBX-1 dials the Trunk Group Access number of PBX-1 "8", trunk group number "02" (TRG2), Idle Line Access number of PBX-2 "9", and telephone number "211-4567".
→ 10.6.1 PBX Configuration—[2-6-1] System—Numbering Plan—Main—Features—◆ Trunk Group Access
2. PBX-1 sends the call to PBX-2 through the trunk group (TRG) 2 (TIE line).
3. PBX-2 sends the call to the outside party "211-4567".

<PBX Code Method (Access with PBX Code)>



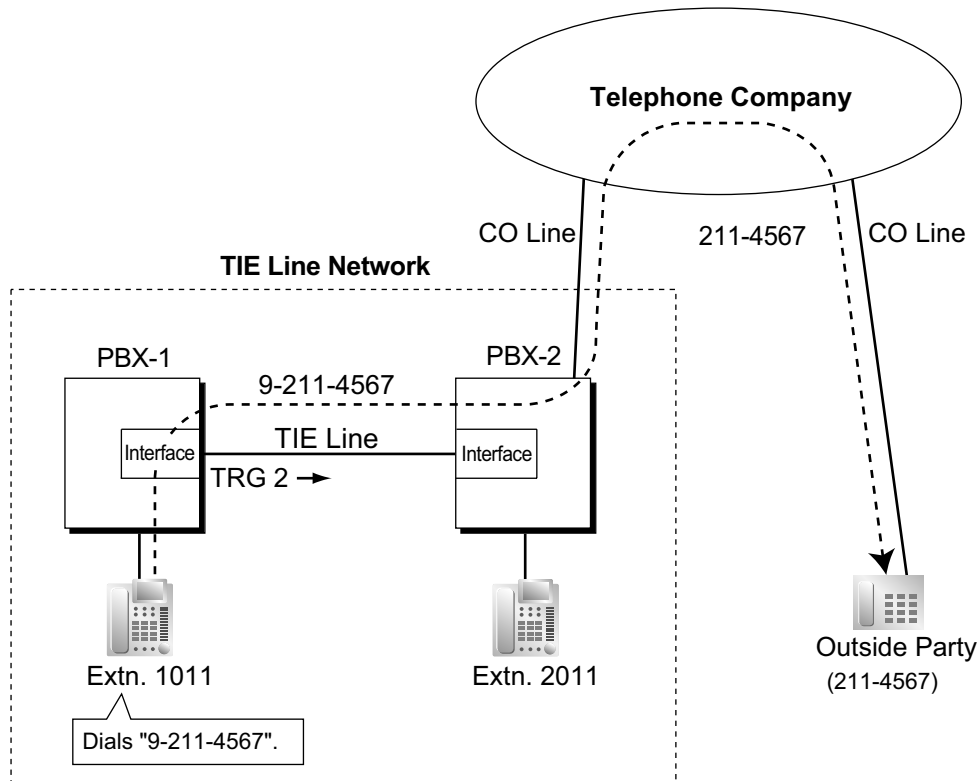
Explanation:

1. Extension 1011 of PBX-1 dials the TIE line access number "7", PBX code "952", Idle Line Access number of PBX-2 "9", and telephone number "211-4567"; or dials the Trunk Group Access number of PBX-1 "8", trunk group number "02" (TRG2), PBX code "952", Idle Line Access number of PBX-2 "9", and telephone number "211-4567".
2. The call is connected to the outside party "211-4567" through PBX-2 which has PBX code "952".

CO Line Call through Other PBXs—by the ARS feature

[Example]

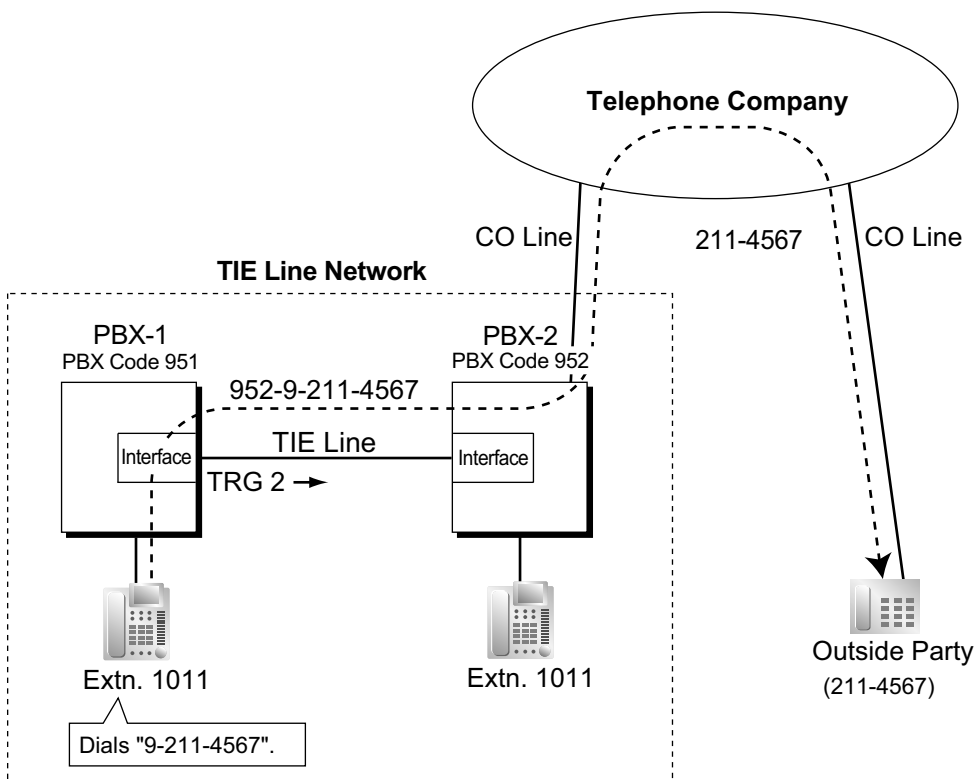
<Extension Number Method (Access without PBX Code) using ARS>



Explanation:

1. Extension 1011 of PBX-1 dials the Idle Line Access number of PBX-1 "9" and telephone number "211-4567".
2. PBX-1 modifies the call (adds the Idle Line Access number of PBX-2 "9") and sends the call to PBX-2 through the TIE line (trunk group [TRG] 2) according to the ARS programming of PBX-1.
3. PBX-2 sends the call to the outside party "211-4567".

<PBX Code Method (Access with PBX Code) using ARS>

**Explanation:**

1. Extension 1011 of PBX-1 dials the Idle Line Access number of PBX-1 "9" and telephone number "211-4567".
2. PBX-1 modifies the call (adds "952" and the Idle Line Access number of PBX-2 "9") and sends the call to PBX-2 which has PBX code "952" through the TIE line (trunk group [TRG] 2) according to the ARS programming of PBX-1.
3. PBX-2 sends the call to the outside party "211-4567".

b. Blocking CO line calls made through another PBX and how to override it:

Whether an incoming TIE line call can make a CO line call through this PBX (i.e., PBX-2), depends on the COS that is assigned to the trunk group of this PBX, that the incoming TIE line is connected to. If the COS of the trunk group is unable to make outgoing calls by the TRS or External Call Block feature, CO line calls made through this PBX will be prohibited.

To override this prohibition, an extension of PBX-1 must enter a verification code assigned to PBX-2 to change the COS temporarily. It is also possible to override the prohibition by specifying an extension at PBX-2 with the Walking COS feature, to temporarily switch to that extension's COS.

→ 10.7.1 PBX Configuration—[2-7-1] System—Class of Service—COS Settings—TRS—◆ TRS Level—Day, Lunch, Break, Night

→ 10.7.2 PBX Configuration—[2-7-2] System—Class of Service—External Call Block

→ 11.1.1 PBX Configuration—[3-1-1] Group—Trunk Group—TRG Settings—Main—◆ COS

→ 14.3 PBX Configuration—[6-3] Feature—Verification Code

[Programming Example of PBX-2]

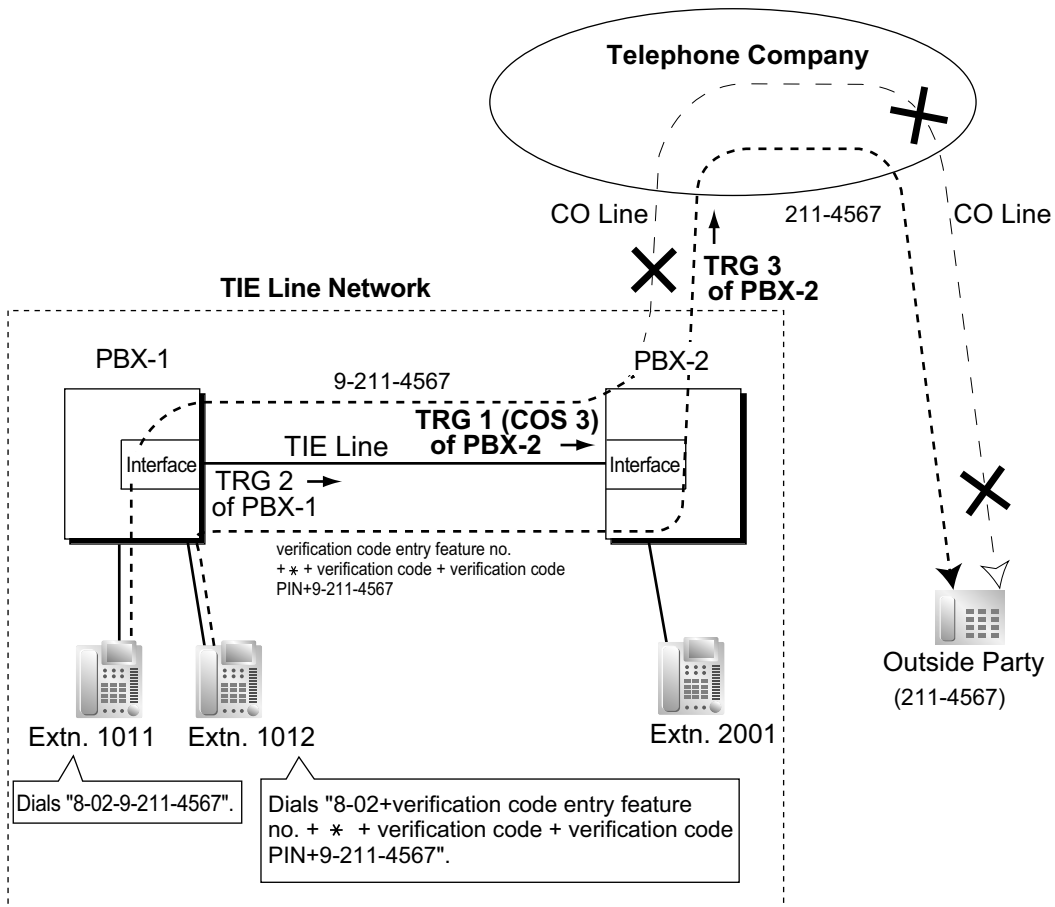
Trunk Group No.	COS No.
1	3
2	2
3	2
:	:

TRG of Incoming Call	Outgoing Call			
	TRG 1	TRG 2	TRG 3	...
COS 1		✓	✓	
COS 2	✓	✓		✓
COS 3		✓	✓	✓
:	:	:	:	:

✓ : Block

[Example]

<Extension Number Method (Access Without PBX Code)>



Explanation:

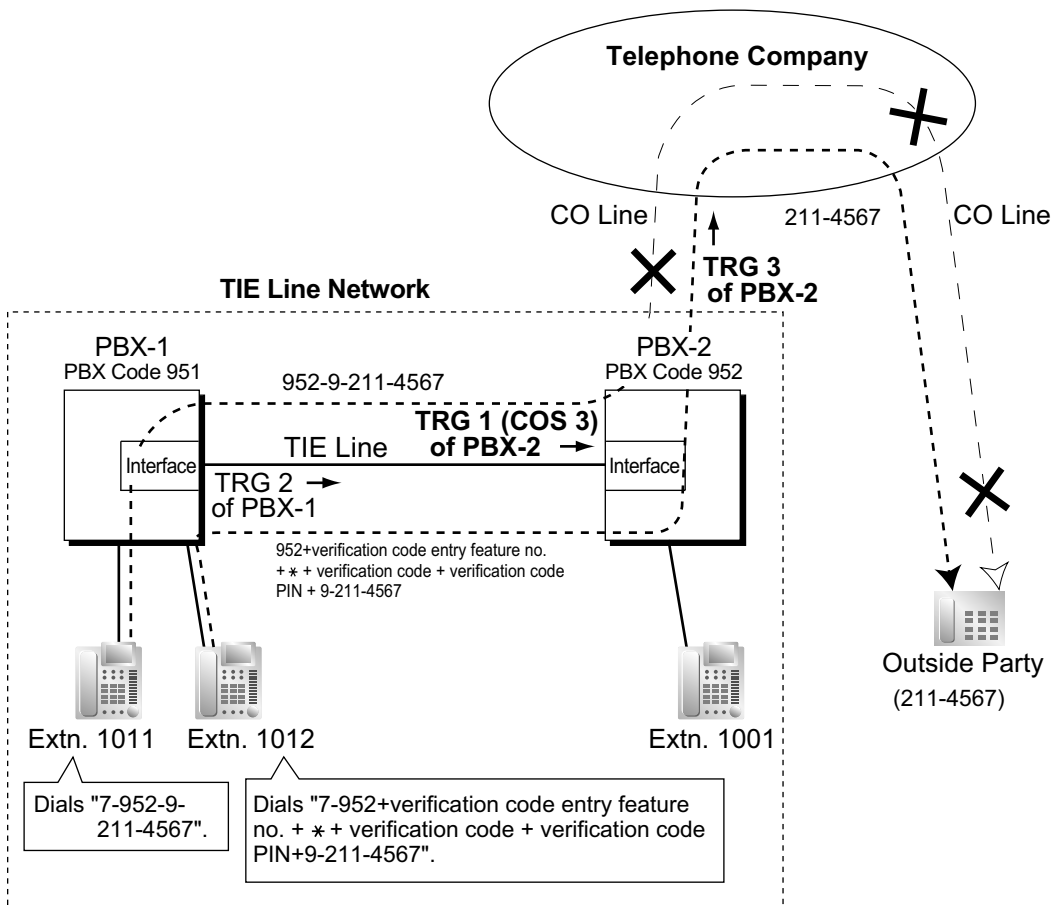
Case 1:

1. Extension 1011 of PBX-1 dials the Trunk Group Access number of PBX-1 "8", TIE line trunk group number (TRG 2), Idle Line Access number of PBX-2 "9", and the telephone number "211-4567".
2. The call is not connected to the outside party through PBX-2 because the COS of TRG 1 (COS 3) is blocked from accessing TRG 3 of PBX-2.

Case 2:

1. Extension 1012 of PBX-1 dials the Trunk Group Access number of PBX-1 "8", TIE line trunk group (TRG2), verification code entry feature number, *, verification code, verification code personal identification number (PIN), Idle Line Access number of PBX-2 "9", and the telephone number "211-4567".
2. If the specified verification code applies COS 2 of PBX-2, the call is connected to the outside party through PBX-2, because COS 2 is not blocked from accessing TRG 3 of PBX-2.

<PBX Code Method (Access with PBX Code)>



Explanation:

Case 1:

1. Extension 1011 of PBX-1 dials the TIE line access number "7", PBX code "952", Idle Line Access number of PBX-2 "9", and the telephone number "211-4567".
2. The call is not connected to the outside party through PBX-2 because the COS of TRG 1 (COS 3) is blocked from accessing TRG 3 of PBX-2.

Case 2:

1. Extension 1012 of PBX-1 dials the TIE line access number "7", PBX code "952", verification code entry feature number, <*, verification code, verification code personal identification number (PIN), Idle Line Access number of PBX-2 "9", and the telephone number "211-4567".
2. If the specified verification code applies COS 2 of PBX-2, the call is connected to the outside party through PBX-2, because COS 2 is not blocked from accessing TRG 3 of PBX-2.

c. Override using an Itemized Billing Code for ARS

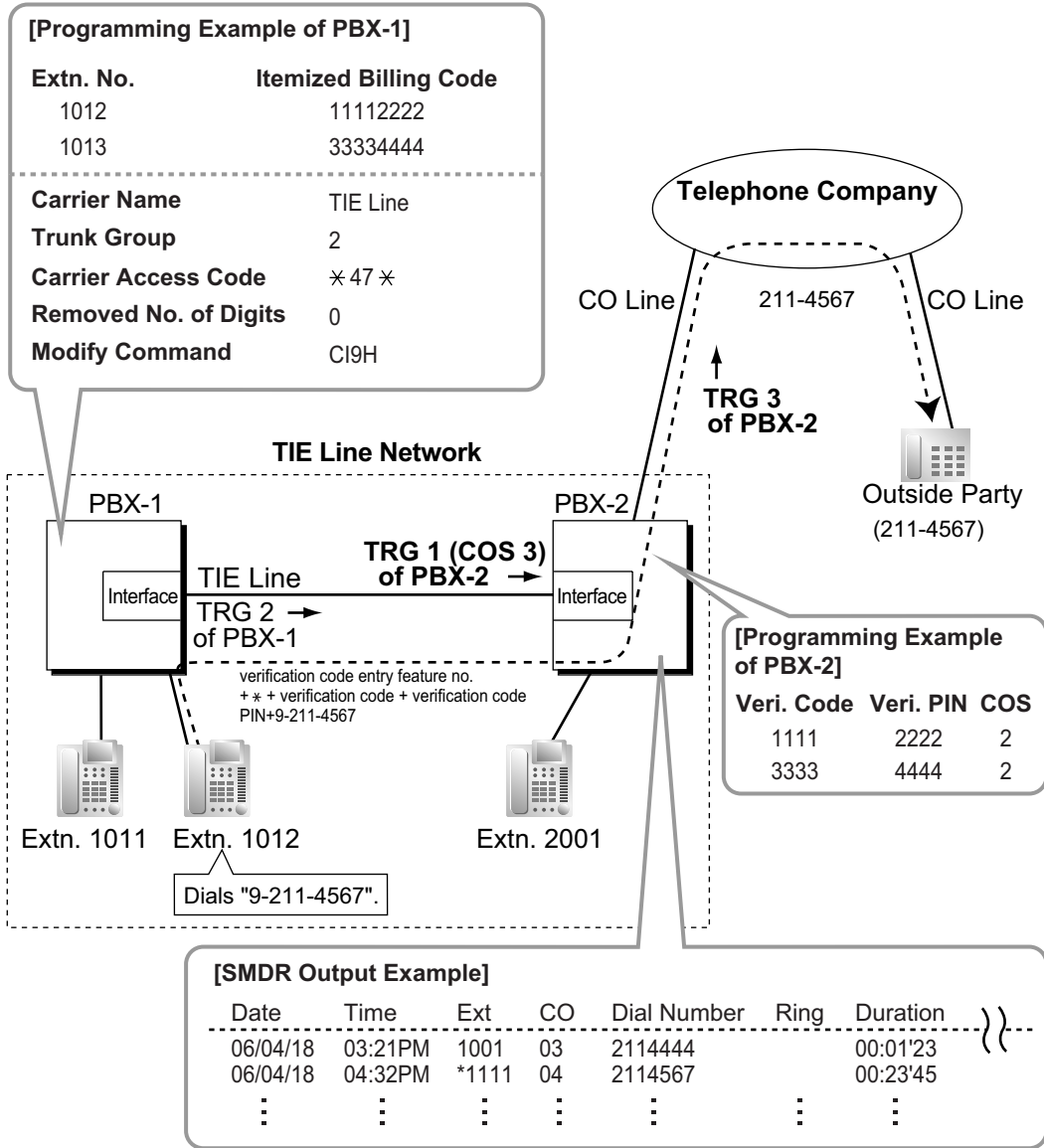
By assigning an Itemized Billing Code for ARS to PBX-1, an extension's verification code can be sent to PBX-2 automatically, without the extension having to dial the verification code.

→ 12.1.1 PBX Configuration—[4-1-1] Extension—Wired Extension—Extension Settings—Option 1—◆
ARS Itemized Code

→ 12.2.1 PBX Configuration—[4-2-1] Extension—Portable Station—Extension Settings—Option 1—◆
ARS Itemized Code

→ 16.5 PBX Configuration—[8-5] ARS—Carrier

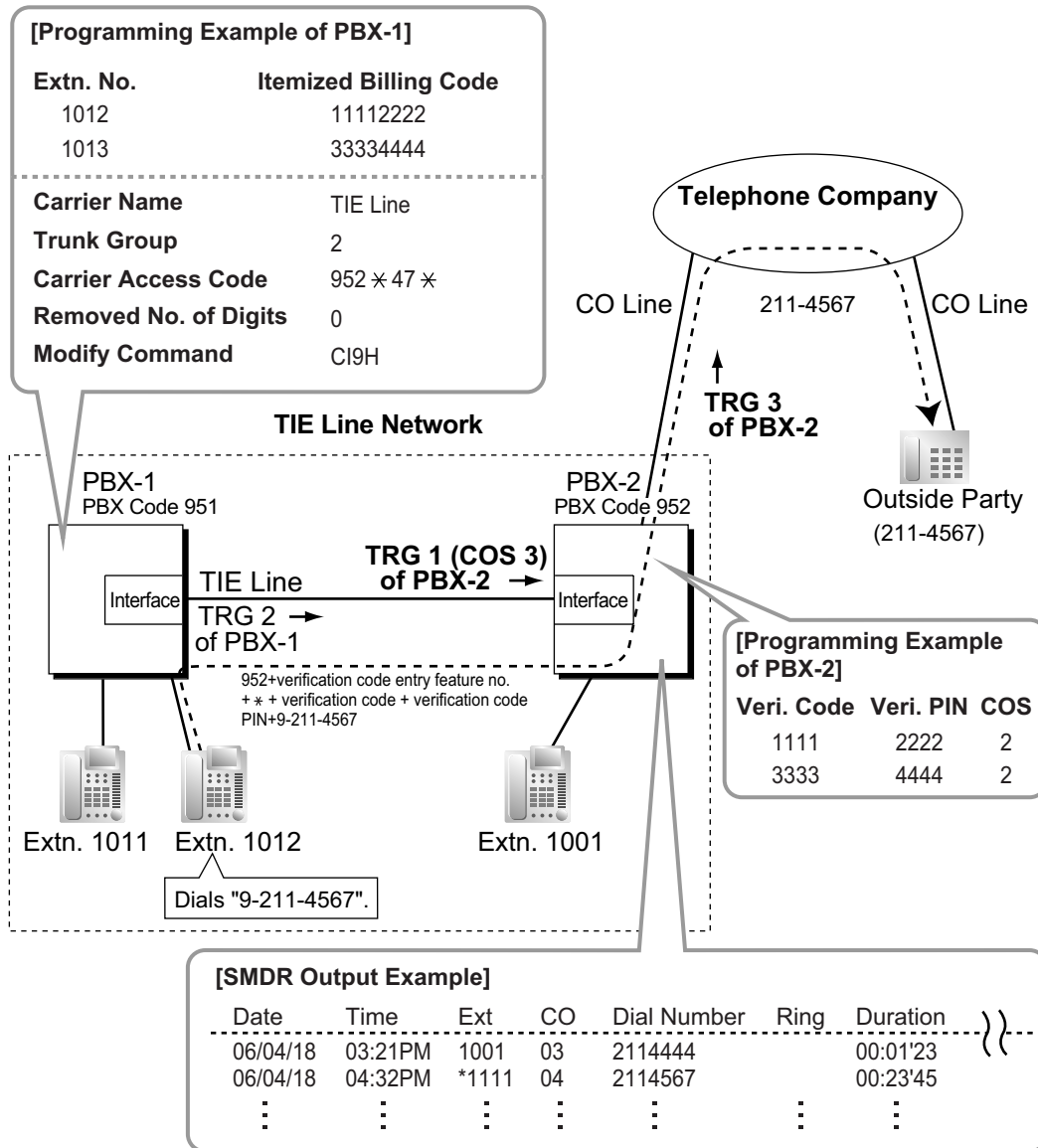
[Example]
<Extension Number Method (Access without PBX Code)>



Explanation:

1. Extension 1012 of PBX-1 dials the Idle Line Access number of PBX-1 "9", and the telephone number "211-4567".
2. PBX-1 modifies the call (adds the verification code entry feature number, verification code and verification code PIN, and the Idle Line Access number of PBX-2 "9") and sends the call to PBX-2 through the TIE line (trunk group [TRG] 2) according to the ARS programming of PBX-1.

<PBX Code Method (Access with PBX Code)>

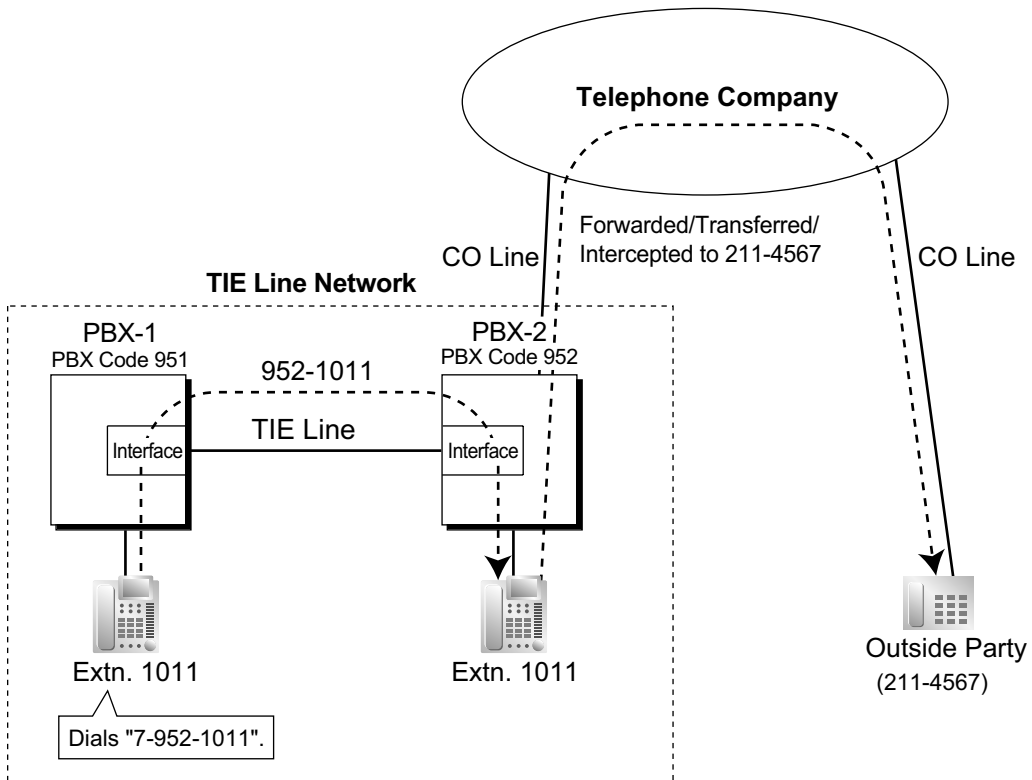


Explanation:

1. Extension 1012 of PBX-1 dials the Idle Line Access number of PBX-1 "9", and telephone number "211-4567".
2. PBX-1 modifies the call (adds "952", the verification code entry feature number, verification code and verification code PIN, and the Idle Line Access number of PBX-2 "9") and sends the call to PBX-2 which has PBX code "952" through the TIE line (trunk group [TRG] 2) according to the ARS programming of PBX-1.

d. FWD/Call Transfer/Intercept Routing to the CO Line

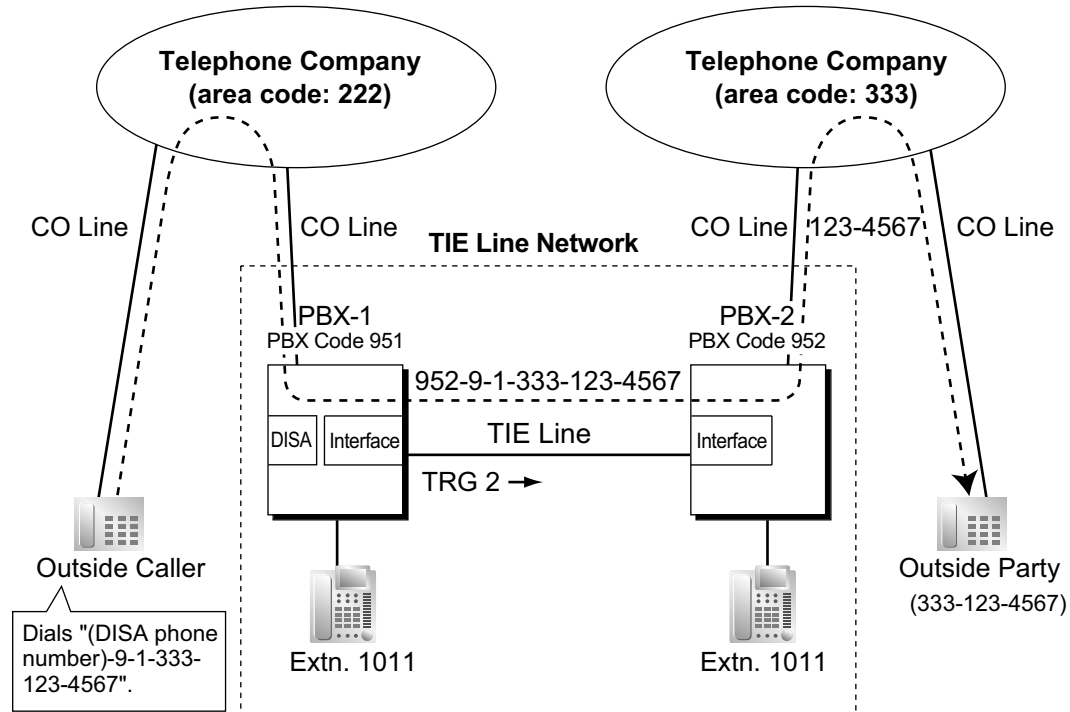
[Example]

**Explanation:**

1. Extension 1011 of PBX-1 dials the TIE line access number "7", PBX code "952", and extension number "1011".
2. The call reaches the destination (extension 1011 of PBX-2) through the TIE line, and the call is forwarded, transferred or intercepted to the outside party "211-4567" through the CO line.

CO Line-to-TIE-to-CO Line Access

An outside caller can be connected to an outside party through the TIE line by using the DISA feature.
[Example]



Explanation:

1. The outside caller dials the "DISA phone number of PBX-1", Idle Line Access number of PBX-1 "9", and telephone number "1-333-123-4567".
2. PBX-1 modifies the call (adds "952" and the Idle Line Access number of PBX-2 "9") and sends the call to PBX-2 which has PBX code "952" through the TIE line (trunk group [TRG] 2) according to the ARS programming of PBX-1.
3. PBX-2 sends the modified call to the outside party "333-123-4567" according to its ARS programming.

TIE Line Programming

To Make a TIE Line Call

The TIE Line Routing and Modification Table is referenced by the PBX to identify the CO line route when an extension user makes a TIE line call.

It is necessary to make unified tables with all PBXs in the TIE line network.

The routing pattern appropriate for each call is decided by the dialed number.

There are two system programs for the tables:

TIE Line Routing Table: used to assign the leading numbers (PBX code or extension number) and trunk group hunt sequence.

→ 17.1 PBX Configuration—[9-1] Private Network—TIE Table—◆ Leading Number

TIE Modify Removed Number of Digits/Added Number: used to remove digits from and add a number to the dialed number of the TIE line call. This modification may be needed depending on the TIE line network configuration.

17.1 PBX Configuration—[9-1] Private Network—TIE Table

→ ◆ Removed Number of Digits

→ ◆ Added Number

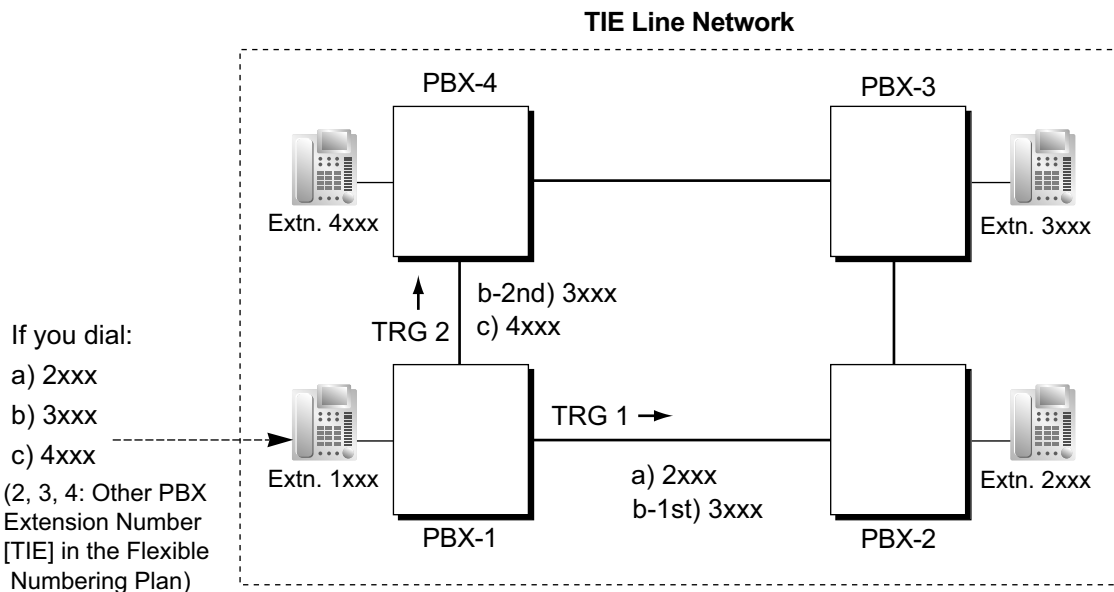
→ ◆ Trunk Group

[Programming Examples]

Your PBX is PBX-1 and there are four PBXs in your TIE line network. To identify the CO line route as illustrated, you should make the following tables.

a. Extension Number Method (Access without PBX Code)

10.6.1 PBX Configuration—[2-6-1] System—Numbering Plan—Main—Other PBX Extension—◆ Dial



[TIE Line Routing and Modification Table of PBX-1]

Location No.	Leading No.	Priority 1			Priority 2			..	
		TRG	Dial Modification		TRG	Dial Modification			..
			Removed No. of Digits	Added No.		Removed No. of Digits	Added No.		
01	2	1	0					..	
02	3	1	0		2	0		..	
03	4	2	0					..	
:	:	:	:	:	:	:	:	:	

Explanation:

Location 01:

The hunt sequence by dialing [2XXX]:

The 1st route—trunk group (TRG) 1 ➡ Sending no. to PBX-2: 2XXX

Location 02:

The hunt sequence by dialing [3XXX]:

The 1st route—trunk group (TRG) 1 ➡ Sending no. to PBX-2: 3XXX

The 2nd route—trunk group (TRG) 2 ➡ Sending no. to PBX-4: 3XXX

Location 03:

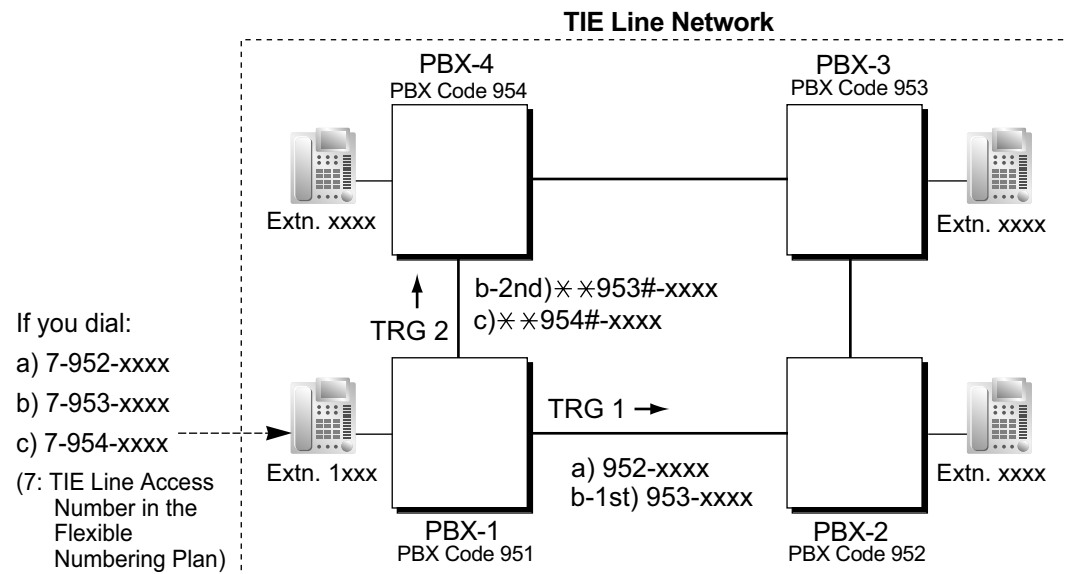
The hunt sequence by dialing [4XXX]:

The 1st route—trunk group (TRG) 2 ➡ Sending no. to PBX-4: 4XXX

b. PBX Code Method (Access with PBX Code)

→ 10.6.1 PBX Configuration—[2-6-1] System—Numbering Plan—Main—Features—◆ TIE Line Access

→ 17.1 PBX Configuration—[9-1] Private Network—TIE Table—◆ Own PBX Code



[TIE Line Routing and Modification Table of PBX-1]

Location No.	Leading No.	Priority 1			Priority 2			..
		TRG	Dial Modification		TRG	Dial Modification		..
			Removed No. of Digits	Added No.		Removed No. of Digits	Added No.	..
01	952	1	0					..
02	953	1	0		2	3	**953#	..
03	954	2	3	**954#				..
:	:	:	:	:	:	:	:	:

Explanation:

Location 01:

The hunt sequence by dialing [7+PBX Code 952+XXXX]:

The 1st route — trunk group (TRG) 1

➡ Sending no. to PBX-2: 952-XXXX

Location 02:

The hunt sequence by dialing [7+PBX Code 953+XXXX]:

The 1st route — trunk group (TRG) 1

➡ Sending no. to PBX-2: 953-XXXX

The 2nd route — trunk group (TRG) 2

➡ Sending no. to PBX-4: **953#-XXXX

Location 03:

The hunt sequence by dialing [7+PBX Code 954+XXXX]:

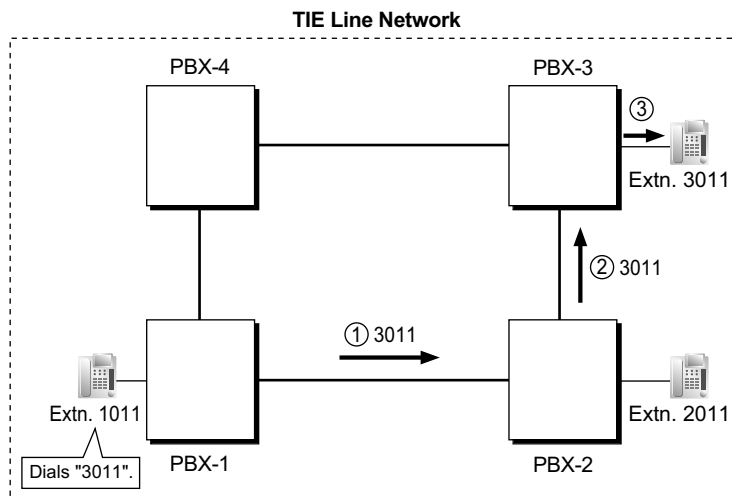
The 1st route — trunk group (TRG) 2

➡ Sending no. to PBX-4: **954#-XXXX

To Receive a TIE Line Call

a. Extension Number Method (Access without PBX Code)

[Example]



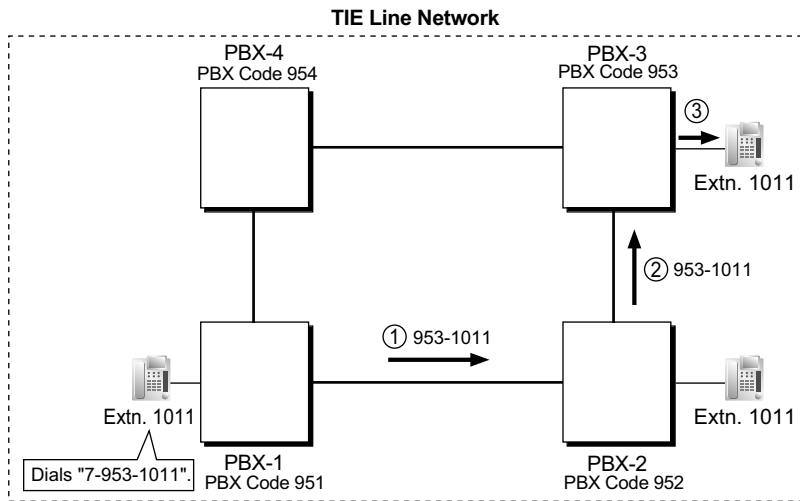
- ① A TIE line call is sent to PBX-2 from PBX-1. If the number sent from PBX-1 is an extension number of PBX-2 (e.g., 2011), the call will be received at extension "2011". If not, PBX-2 checks the number in the TIE Line Routing and Modified Table of PBX-2.
- ② If the match is found in the table, the call will be modified according to the table and send to the corresponding PBX (PBX-3).
- ③ The number sent from PBX-2 "3011" is an extension number of PBX-3. The call is received at extension "3011".

Note

When a TIE line call is sent from one PBX to another, the receiving PBX first modifies the received number according to the assignment for the CO line port: the number of digits removed, and the number added, are determined by this assignment. Then the PBX checks whether the completed number is an existing extension number at that PBX.

b. PBX Code Method (Access with PBX Code)

[Example]



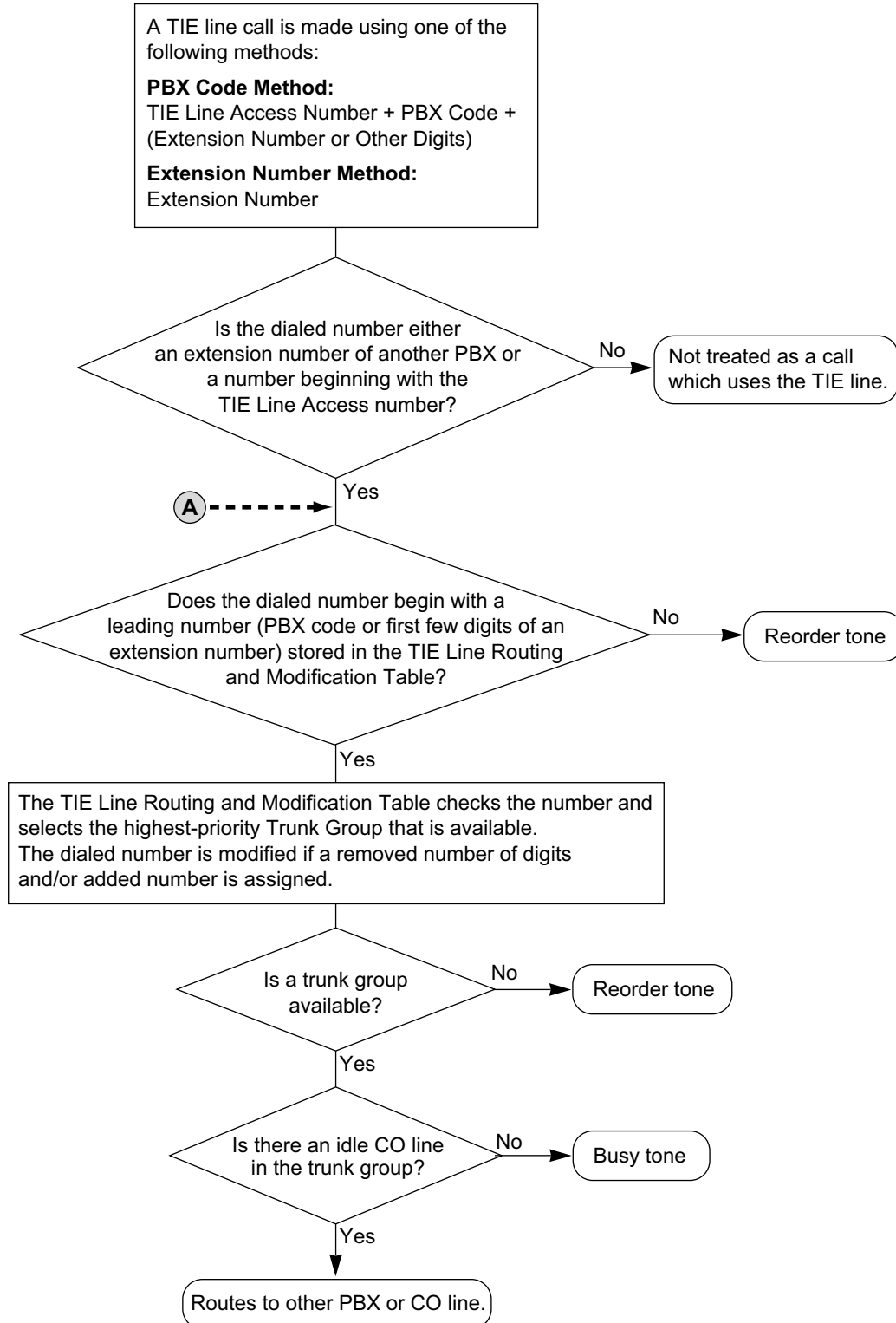
- ① A TIE line call is sent to PBX-2 from PBX-1. If the number sent from PBX-1 has the PBX code of PBX-2 "952", the call will be received at the corresponding extension of PBX-2 (e.g., 1011 of PBX-2). If not, PBX-2 checks the number in the TIE Line Routing and Modified Table of PBX-2.
- ② If the match is found in the table, the call will be modified according to the table and send to the corresponding PBX (PBX-3).
- ③ The number sent from PBX-2 "953-1011" has the PBX code of PBX-3 "953". The call is received at extension "1011" of PBX-3.

Note

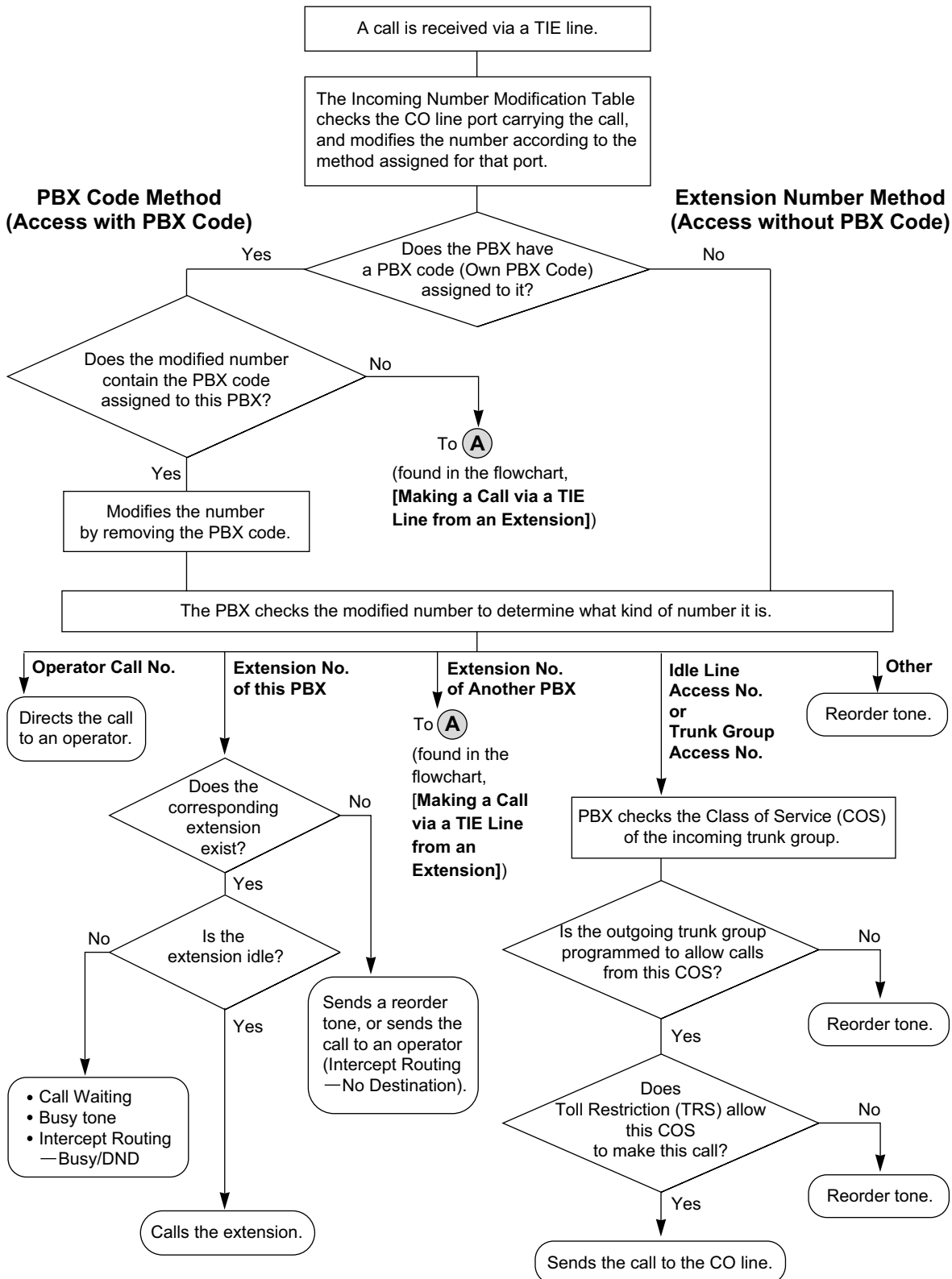
When a TIE line call is sent to a PBX from another PBX, first the PBX modifies the number sent to the PBX according to the assignment for each CO line port of the PBX: the removed number of digits from and/or added number to the number sent to the PBX is determined by the assignment. Then the PBX starts to check the number whether the number has the PBX code of the PBX.

TIE Line Routing Flowchart

[Making a TIE Line Call from an Extension]

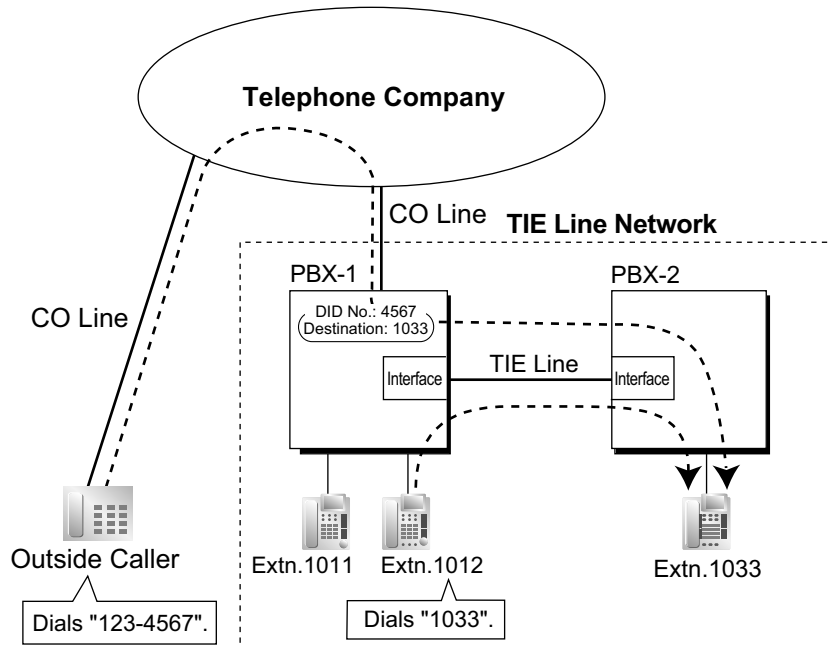


[Receiving a Call through a TIE Line]



Common Extension Numbering for 2 PBXs

Two PBXs can have extensions with the same leading number. TIE Line calling is available using extension numbering.



Explanation:

The PBX first searches local extensions for a matching number. If a dialed number is not found at the local PBX, the call can then be sent to a remote PBX, and the remote PBX checks the TIE Line Routing Table for a corresponding entry.

Case 1:

Extension 1012 of PBX-1 dials extension number "1011".

→ The dialed number is found at the local PBX, and extension 1012 of PBX-1 is connected to extension 1011 of PBX-1.

Case 2:

Extension 1012 of PBX-1 dials extension number "1033".

→ The dialed number is not found at the local PBX, so the call is redirected to the specified TIE Line, and extension 1012 of PBX-1 is connected to extension 1033 of PBX-2.

Case 3:

A public CO line call directed to extension 1033 arrives at PBX-1.

→ The target extension number is not found at the local PBX, so the call is redirected to the specified TIE Line, and the call is connected to extension 1033 of PBX-2.

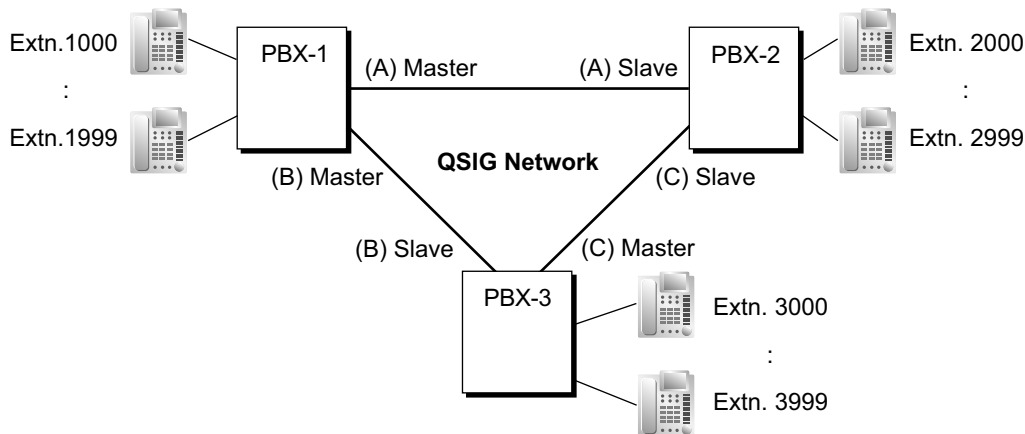
- System programming is required to enable this feature.
- If a dialed number is not found at a remote PBX, the call cannot be redirected to the local PBX to search for a matching number.

Conditions

- A TIE line connection can be established through a Trunk Adaptor using a PRI line (QSIG).
- KX-NSN002 (Activation Key for QSIG Network) is required to use Common Extension Numbering for 2 PBXs. In a One-look network, the activation key is required only for the Master unit.

- A CO line which is used for a private network should be assigned "Private" as the networking type. (→ 10.1.10 INCOMING CALL FEATURES)
- To establish a QSIG network (→ 15.1.17 PRIVATE NETWORK FEATURES—QSIG), each ISDN (QSIG) connection in a TIE line network must have the port on one PBX assigned as a master port, and the port on the other PBX assigned as a slave port. PBXs that support this feature are KX-NS1000 PBXs, KX-NCP series PBXs, KX-TDE series PBXs, and KX-TDA series PBXs.

[TIE Line Network Connection Example]



- When a TIE line call arrives at a busy extension which has disabled Call Waiting, the caller will hear a busy tone. If required, Intercept Routing can be activated.
- The Inter-digit time can be assigned for TIE line calls.
→ 10.3 PBX Configuration—[2-3] System—Timers & Counters—Miscellaneous—◆ Incoming Call Inter-digit Timer—DDI / DID

PC Programming Manual References

- 9.4 PBX Configuration—[1-1] Configuration—Slot—System Property
→GW Settings—Main
→DN2IP
- 9.27 PBX Configuration—[1-1] Configuration—Slot—Port Property - PRI Port—Network Numbering Plan—◆ Trunk Property
- 10.3 PBX Configuration—[2-3] System—Timers & Counters—Miscellaneous—◆ Incoming Call Inter-digit Timer—DDI / DID
- 10.6.1 PBX Configuration—[2-6-1] System—Numbering Plan—Main—Features
→◆ Idle Line Access (Local Access)
→◆ Trunk Group Access
→◆ TIE Line Access
- 10.6.1 PBX Configuration—[2-6-1] System—Numbering Plan—Main—Other PBX Extension
- 10.7.1 PBX Configuration—[2-7-1] System—Class of Service—COS Settings—TRS—◆ TRS Level—Day, Lunch, Break, Night
- 10.9 PBX Configuration—[2-9] System—System Options—Option 4—◆ Private Network—TIE Call by Extension Numbering
- 11.1.1 PBX Configuration—[3-1-1] Group—Trunk Group—TRG Settings—Main—◆ COS
- 17.1 PBX Configuration—[9-1] Private Network—TIE Table
- 18.2 PBX Configuration—[10-2] CO & Incoming Call—DIL Table & Port Settings
→DIL—◆ Trunk Property
→DIL—◆ DIL Destination—Day, Lunch, Break, Night
→DDI / DID / TIE

18.3 PBX Configuration—[10-3] CO & Incoming Call—DDI / DID Table—◆ DDI / DID Destination—Day, Lunch, Break, Night

18.4 PBX Configuration—[10-4] CO & Incoming Call—Miscellaneous—◆ Intercept—Routing to Operator - No Destination (Destination is not programmed.)

Feature Manual References

- 2.1.3 ARS (Automatic Route Selection)
- 4.1.10 Call Transfer
- 5.1.9 DISA (Direct Inward System Access)
- 7.1.4 Flexible Numbering/Fixed Numbering
- 7.1.6 FWD (Call Forwarding)
- 10.1.11 Intercept Routing
- 19.1.5 TRS (Toll Restriction)
- 23.1 Capacity of System Resources

Operating Manual References

- 1.2.1 Making Calls

15.1.13 Private Network Features—Centralized Voice Mail

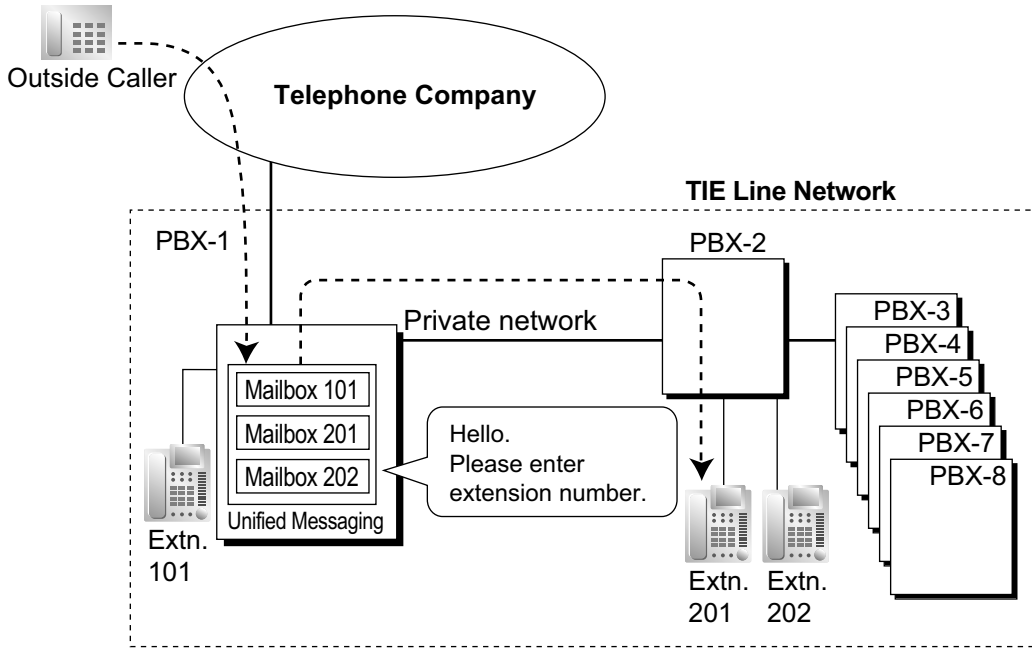
Description

Up to 7 PBXs connected with this PBX in a TIE line network over VoIP or ISDN can share the services of the Unified Messaging system of this PBX. The Unified Messaging system can provide voice mail for extensions attached to any of the PBXs in the network. In addition, the Unified Messaging system can send Message Waiting notifications to extensions at any PBX, and users (subscribers) can access their mailboxes directly using the Message Waiting Button.

The Unified Messaging features available at extensions in a network are as follows:

- FWD to a Mailbox
- Intercept Routing to a Mailbox
- Voice Mail (VM) Transfer Button
- Listening to a Recorded Message (Direct Mailbox Access)
- Trunk Service & Automatic Time Mode Notification for Incoming Call
- Caller's Identification Notification
- Status Notification
- Voice message number display

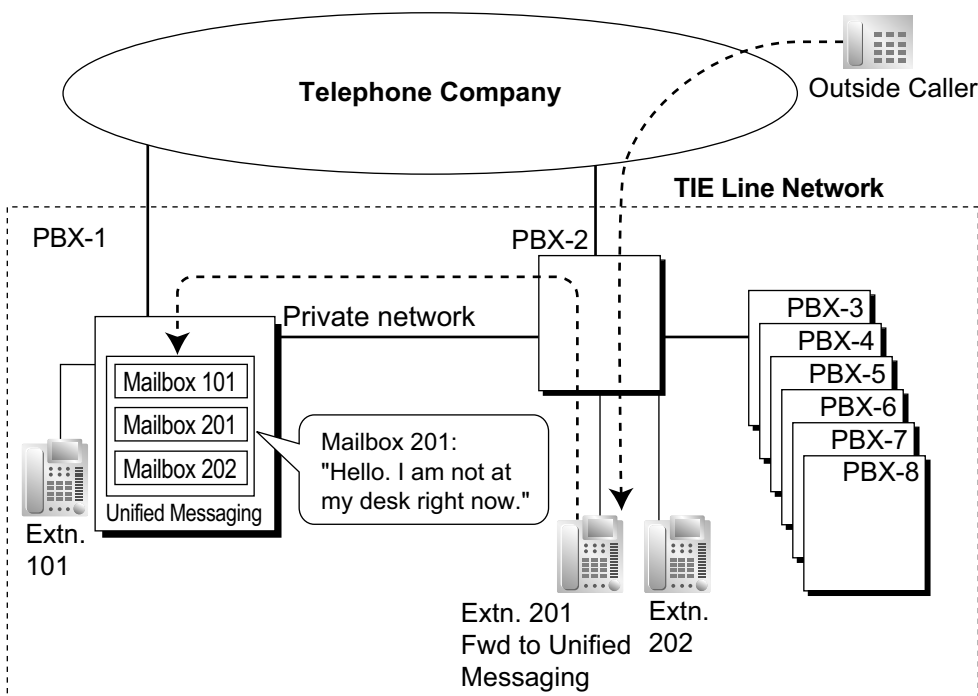
[CO Line Call Answered by the Unified Messaging System, Transferred to Extension at Other PBX (Extension Number Method)]



[Explanation]

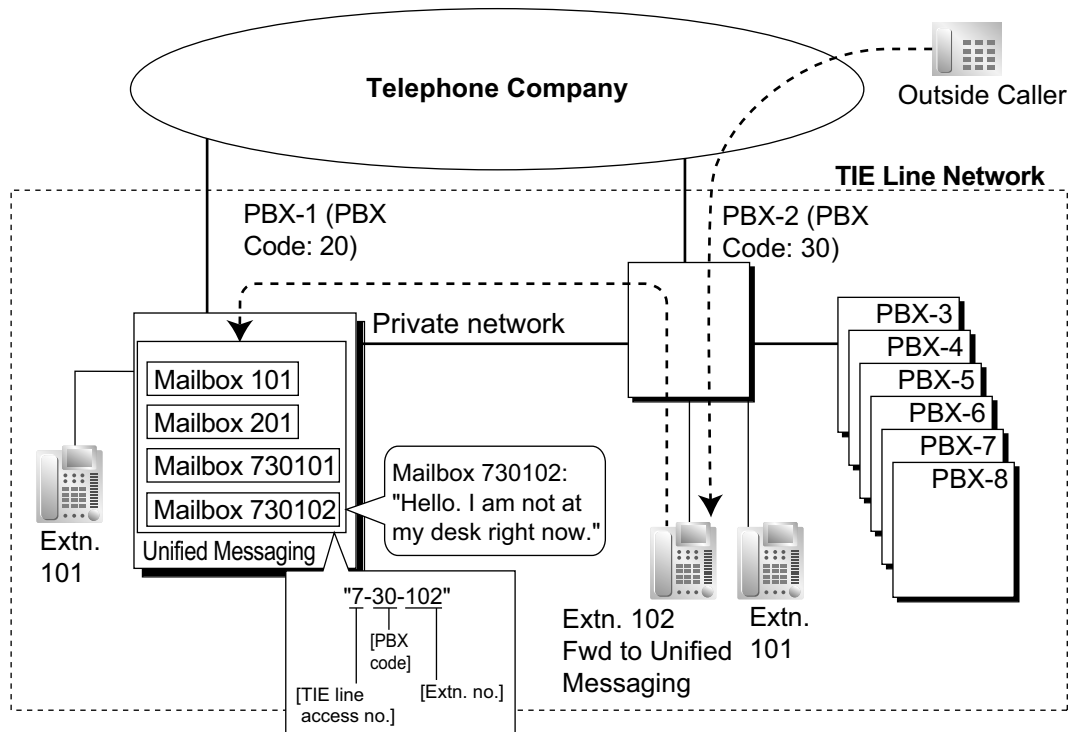
A CO line call is answered by the AA service of the Unified Messaging system. The caller enters extension number 201, so the call is transferred over the private network to extension 201. If extension 201 does not answer, mailbox 201 will answer it and play the appropriate message.

[CO Line Call to an Extension Not Answered, Forwarded to Mailbox (Extension Number Method)]



[Explanation]

Extension 201 does not answer the CO line call, so the call is forwarded to the Unified Messaging system, and answered by mailbox 201. If the outside caller leaves a message, the Unified Messaging system sends a Message Waiting notification to the extension using Enhanced QSIG information over the private network. When forwarding the call, PBX-2 sends any received call information (Caller ID number/name, etc.) along with the trunk group number to use, applicable time mode, and extension number and forwarding reason of the original destination extension to PBX-1 as Enhanced QSIG information.

PBX Code Method**[Explanation]**

Extension 102 does not answer the CO line call, so the call is forwarded to the Unified Messaging system, using a mailbox number containing the **TIE line access number**, the **PBX code** of the PBX that received the call, and the **extension number** that received the call.

This mailbox number is the same as if an extension connected to PBX-1 called extension 102 of PBX-2. This mailbox number should be programmed as the mailbox number and owner extension number on the Unified Messaging system.

Multiple Voice Mail Services

More than one PBX in a network can provide voice mail services to extensions connected to other PBXs.

Conditions**[General]**

- This section explains Centralized Voice Mail assuming that the Unified Messaging system is being shared. If you want to use the Centralized Voice Mail feature with a VPS over a stacking connection, refer to the documentation of the PBX from which you will share the VPS.

- KX-NSN002 (Activation Key for QSIG Network) is required for all KX-NS1000 PBXs that will use this feature, whether they are hosting the voice mail service or just using it. If the PBX is part of a One-look network (→ 14.1.4 One-look Network), the activation key is required only for the Master unit.

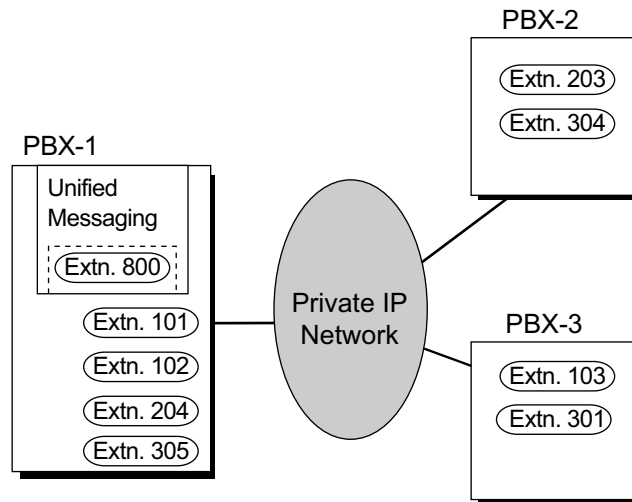
Note

This feature is not used within a One-look network. Centralized voice mail is used only among PBXs connected over a TIE line.

- A separate activation key is required for non-KX-NS1000 PBXs. For details, refer to the corresponding Feature Manual.
- All PBXs in the network must be KX-NS1000 PBXs, or KX-NCP series, KX-TDE series, or KX-TDA series PBXs. For information on the hardware requirements for non-KX-NS1000 PBXs that share the same voice mail service, refer to the corresponding Feature Manual.
- An extension can receive Message Waiting notifications from multiple voice mail services connected to PBXs in the network. When multiple notifications of the number of unheard messages in an extension user's message box are sent from different voice mail services, the most recent notification will be displayed.
- A flexible button cannot be customized as a Message Waiting button for another extension at a different PBX.
- Whether or not Enhanced QSIG information is transmitted can be set in the TIE table.
- When PBXs are connected by PRI23 cards, the card must be set to ISDN Standard mode. If set to T1 mode, the card must be removed and reinstalled to allow the mode to be changed. When the card is reinserted into the PBX, it is possible to choose whether the card will be set to T1 mode or ISDN Standard mode. The default is ISDN Standard.
- **PBX Code Method**
The number used in this method must be no more than 8 digits.

[Voice Mail (VM) Transfer Button]

- A flexible button can be customized as the VM Transfer button with the floating extension number of the UM group (KX-NS1000 PBX) or VM group (KX-TDA/KX-TDE/KX-NCP series PBX) of a remote voice mail system as the parameter.
- A call in progress can be transferred to a Unified Messaging mailbox by pressing the VM Transfer button and then (1) pressing a DSS button or NDSS button, or (2) dialing the desired extension number directly. When the desired extension number (or TIE Line Access number + PBX code + desired extension number) is dialed directly, it must be followed by "#" in these cases:
 - The extension user performing the transfer and the destination extension belong to different PBXs.
 - The PBX of the extension user pressing the VM Transfer button does not have its own voice mail service.
- VM Transfer button functions will not operate on networks using Common Extension Numbering for 2 PBXs, or Common Extension Numbering for Multiple PBXs. It is necessary to create a network where the Voice Mail can be accessed by the TIE Line Access number or an Other PBX Extension number.

Example: Using Centralized Voice Mail with Common Extension Numbering**[Explanation]**

In this example, only PBX-1 has an extension beginning with "8" assigned (for the Unified Messaging system). In the Flexible Numbering Plan for PBX-2 and PBX-3, "1", "2", and "3" must be set as "Extension Numbers", and "8" must be set as an "Other PBX Extension Number (TIE)".

PC Programming Manual References

- 9.31 PBX Configuration—[1-3] Configuration—Option—◆ New Card Installation—ISDN Standard Mode for PRI23 Card
- 17.1 PBX Configuration—[9-1] Private Network—TIE Table—Enhanced QSIG
- 17.2 PBX Configuration—[9-2] Private Network—Network Data Transmission
 - ◆ Network MSW Data Transmission for Centralized VM Feature—Data Re-transmission : Repeat Counter
 - ◆ Network MSW Data Transmission for Centralized VM Feature—Data Re-transmission : Repeat Timer
- 17.5 PBX Configuration—[9-5] Private Network—Centralized UM/VM Unit
- 19.1 PBX Configuration—[11-1] Maintenance—Main—Maintenance
 - ◆ Error Log for Centralized VM—Network MSW Transmission (Counter)
 - ◆ Error Log for Centralized VM—Network MSW Transmission (Buffer)

Feature Manual References

15.1.12 PRIVATE NETWORK FEATURES

15.1.14 Private Network Features—NDSS (Network Direct Station Selection)**Description**

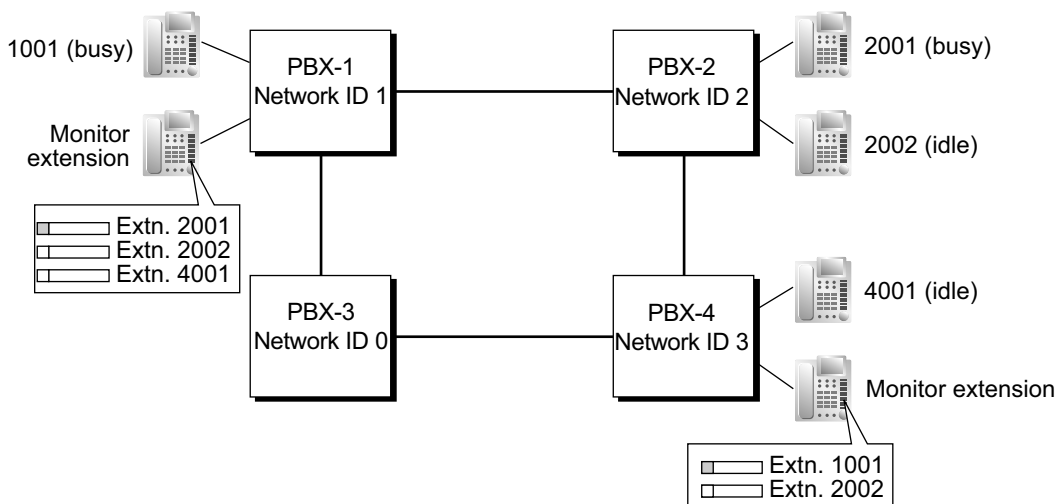
When PBXs are networked using ISDN or V-IPGW cards, it is possible to assign flexible buttons as Network Direct Station Selection (NDSS) buttons. These buttons are used to monitor the status of extensions connected to up to seven other PBXs in the network, and to make or transfer calls to those extensions with one touch,

like normal DSS buttons. This allows operator functions to be centralized even when there are offices in remote locations.

NDSS buttons show the status of the monitored extension as follows:

Light pattern	Status
Off	The monitored extension is idle.
Red on	The monitored extension is busy or has set DND for CO line calls.

[Example Network]



[Programming Procedure]

1. Routing Table Assignment

TIE Line Routing and Modification tables must have been programmed in advance for all PBXs in the network, to allow calls to be made and transferred between PBXs (→ 15.1.12 PRIVATE NETWORK FEATURES).

In the programming example that follows, the PBXs in the network use the Extension Number method, as shown in the illustration above. However, the PBX Access Code method can also be used.

2. Network PBX ID Assignment

Assign a Network PBX ID to each PBX in the network.

→ 17.2 PBX Configuration—[9-2] Private Network—Network Data Transmission—◆ Network Data Transmission for Centralized Operator Feature—Network PBX ID

- IDs 1-8: Can monitor extensions at other PBXs, and transmit monitor data about local extensions. Each ID number can be assigned to one PBX within the network.
- ID 0: Retransmits monitor data throughout the network. This ID number can be assigned to multiple PBXs.

3. QSIG Port Setting [Monitored PBX]

ISDN-QSIG (PBX Direct Connection)

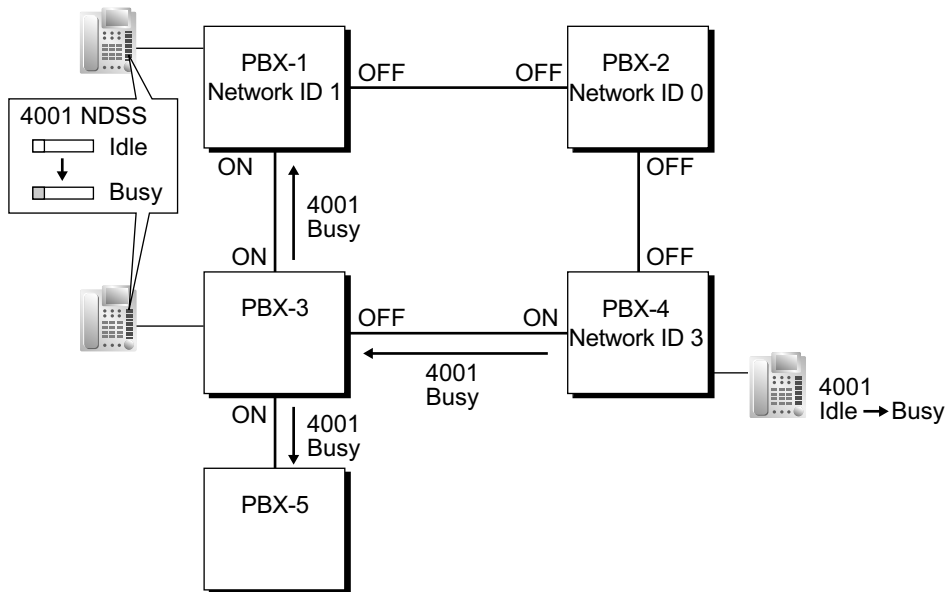
Each QSIG port of a PRI card that will be used to transmit extension status information must be set to do so through system programming. Even if a port is set to not transmit information, it will still receive information from other PBXs.

→ 9.27 PBX Configuration—[1-1] Configuration—Slot—Port Property - PRI Port—CO Setting—◆ Networking Data Transfer

Transmit	Extension Status Information Functions
Enabled	<ul style="list-style-type: none"> • Transmit information on own PBX extensions • Receive information from other PBXs; forward it to other QSIG ports of the PBX • Re-transmit information received by other QSIG ports of the PBX
Disabled	<ul style="list-style-type: none"> • Receive information from other PBXs; forward it to other QSIG ports of the PBX

Set the transmission setting for each port according to the layout of your network, so that extension status information can travel between NDSS monitor PBXs.

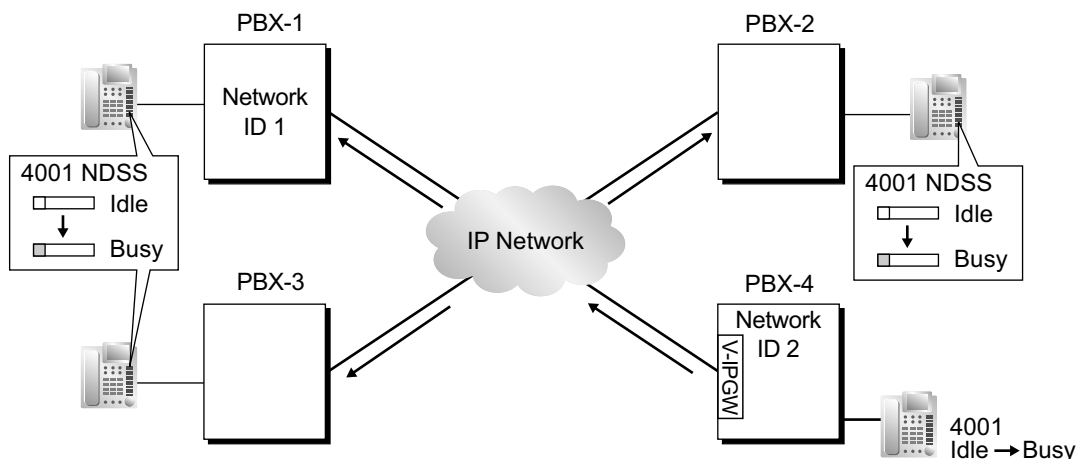
[Example ISDN Network Port Setting]



IP-Gateway-QSIG

IP data is routed through the network according to the routing tables of the V-IPGW cards. When using VoIP, it is necessary to identify the monitor PBXs, to which to transmit extension status information, for each card that will be used. This is done by specifying the extension number of any extension (for example, the PBX operator) at the monitor PBX as a Network Operator extension for that V-IPGW card.

[Example VoIP Network]



Mixed Network

When using the NDSS feature over a mixed network containing both VoIP portions and ISDN line portions, it is possible to set whether status information will be transferred between VoIP and ISDN cards within each PBX. For example, if the monitor PBX is on a VoIP network, and monitored PBXs are on an ISDN network, the PBX that acts as a gateway between the VoIP and ISDN networks must have this setting enabled for ISDN to VoIP.

4. Network Monitor Extension Registration [Monitor PBX]

Register the extensions (attached to other PBXs) that will be monitored. A maximum of 250 extensions can be registered. Only extensions that have been registered here can be assigned to NDSS buttons. 17.4 PBX Configuration—[9-4] Private Network—NDSS Key Table—◆ Network Extension No.

Network Monitor Extensions Table

Index No.	Network Extn. No.	Network Extn. Name
001	2001	Branch 1: T. Jones
002	2002	Branch 1: M. Davidson
003	4001	Branch 2: R. Powell
:	:	:
250		

When using the PBX Access Code numbering method, the relevant access code must be added before the extension number registered here.

5. NDSS Button Customization [Monitor PBX]

At any extension attached to a monitor PBX, customize a flexible button as an NDSS button for an extension registered above. Then go off-hook, press this button once, and go on-hook again. This activates the monitoring function. The monitored PBX will begin to transmit information about the status of that extension, and the monitor PBX will begin to receive the information. The button light will display the status of the extension connected to another PBX.

Removing or Editing a Registered Extension [Monitor PBX]

To monitor a new extension when 250 extensions are already being monitored, it is necessary to remove the registration of an existing extension.

The NDSS Monitor Release feature is used to stop monitoring a certain extension. When this feature is performed at a monitor PBX:

- If no other PBXs are monitoring the selected extension, the monitored PBX stops transmitting status information for that extension.
- The monitor PBX stops receiving status information for the selected extension. All NDSS buttons for that extension stop displaying status information.

However, the related information is not deleted from the Network Monitor Extensions Table. Therefore, if an extension user at a monitor PBX subsequently goes off-hook and presses the NDSS button for that extension, monitoring will be reactivated. To completely remove monitoring of an extension, the registration data must also be deleted from the Network Monitor Extensions Table at each monitor PBX.

The monitor destination of each NDSS button is determined by the registration information for a particular index number in this table. Therefore, if the registration information for an index number is changed (for example, the Network Extension Number assigned to Index No. 001 in the example above is changed from "2001" to "4002"), any NDSS buttons that have been set for that extension will automatically point to the new monitor destination.

Conditions

- KX-NSN002 (Activation Key for QSIG Network) is required for each Master unit that will monitor extensions or have extensions monitored.
A separate activation key is required for non-KX-NS1000 PBXs. For details, refer to the corresponding Feature Manual.
- NDSS buttons will not function on networks using Common Extension Numbering for 2 PBXs, or Common Extension Numbering for Multiple PBXs.
- All PBXs in the network must be KX-NS1000 PBXs, or KX-NCP series PBXs, KX-TDE series PBXs, or KX-TDA series PBXs. For information on the hardware requirements for non-KX-NS1000 PBXs that will monitor extensions or have extensions monitored, refer to the corresponding Feature Manual.
- Each of Network PBX IDs 1-8 can only be assigned to one PBX within a network. Assigning the same Network PBX ID to two PBXs will cause network data transmission problems.
- It is only possible to assign NDSS buttons for extensions that have been previously registered in the Network Monitor Extensions Table.
 - 12.1.4 PBX Configuration—[4-1-4] Extension—Wired Extension—Flexible Button
 - ◆ Type
 - ◆ Dial (for NDSS)
 - 12.2.3 PBX Configuration—[4-2-3] Extension—Portable Station—Flexible Button
 - ◆ Type
 - ◆ Dial (for NDSS)
- Extensions connected to one PBX can monitor a maximum of 250 extensions at other PBXs. One extension can be monitored by multiple extensions at multiple PBXs.
- To reduce NDSS data traffic, it is recommended that 8 or less extensions in a single Incoming Call Distribution Group be monitored.
- Activation of an NDSS button is only required the first time that a button for a newly registered extension is created. Once an NDSS button has been activated by being pressed the first time, any further NDSS buttons for the same monitored extension will automatically display the extension status without needing to be activated.
- To use the NDSS Monitor Release feature, an extension must be assigned as a manager.
 - 10.7.1 PBX Configuration—[2-7-1] System—Class of Service—COS Settings—Manager—◆ Manager
- Through system programming, it is possible to assign a maximum number of "hops" (transfers between PBXs) that extension status information can travel. Each time a piece of extension status information is forwarded to another PBX, its counter is increased by one. When this counter reaches the assigned maximum, the data is discarded. This is used to prevent data from circling unnecessarily around the network.
 - 17.2 PBX Configuration—[9-2] Private Network—Network Data Transmission—◆ Network Data Transmission for Centralized Operator Feature—Data Transmission Counter

- If it is not possible to remotely turn off transmission of extension status information using the NDSS Monitor Release feature because of network conditions, it is possible to perform the same operation directly through system programming at the monitored PBX.
 - 12.1.6 PBX Configuration—[4-1-6] Extension—Wired Extension—NDSS Link Data - Send
 - 12.2.4 PBX Configuration—[4-2-4] Extension—Portable Station—NDSS Link Data - Send
- When using a VoIP network, if extension status information is lost by the network, in some cases an NDSS button may not be able to display the status of the relevant extension.
- NDSS cannot be used when two PBXs are networked using the **Common Extension Numbering for 2 PBXs** feature (→ 15.1.12 PRIVATE NETWORK FEATURES).

PC Programming Manual References

- 9.27 PBX Configuration—[1-1] Configuration—Slot—Port Property - PRI Port—CO Setting—◆ Networking Data Transfer
- 10.7.1 PBX Configuration—[2-7-1] System—Class of Service—COS Settings—Manager—◆ Manager
- 12.1.4 PBX Configuration—[4-1-4] Extension—Wired Extension—Flexible Button
 - ◆ Type
 - ◆ Dial (for NDSS)
- 12.1.6 PBX Configuration—[4-1-6] Extension—Wired Extension—NDSS Link Data - Send
- 12.2.3 PBX Configuration—[4-2-3] Extension—Portable Station—Flexible Button
 - ◆ Type
 - ◆ Dial (for NDSS)
- 12.2.4 PBX Configuration—[4-2-4] Extension—Portable Station—NDSS Link Data - Send
- 17.2 PBX Configuration—[9-2] Private Network—Network Data Transmission
- 17.3 PBX Configuration—[9-3] Private Network—Network Operator (VoIP)
- 17.4 PBX Configuration—[9-4] Private Network—NDSS Key Table

Feature Manual References

- 15.1.12 PRIVATE NETWORK FEATURES
- 15.1.17 PRIVATE NETWORK FEATURES—QSIG
- 15.1.23 Private Network Features—VoIP (Voice over Internet Protocol)

Operating Manual References

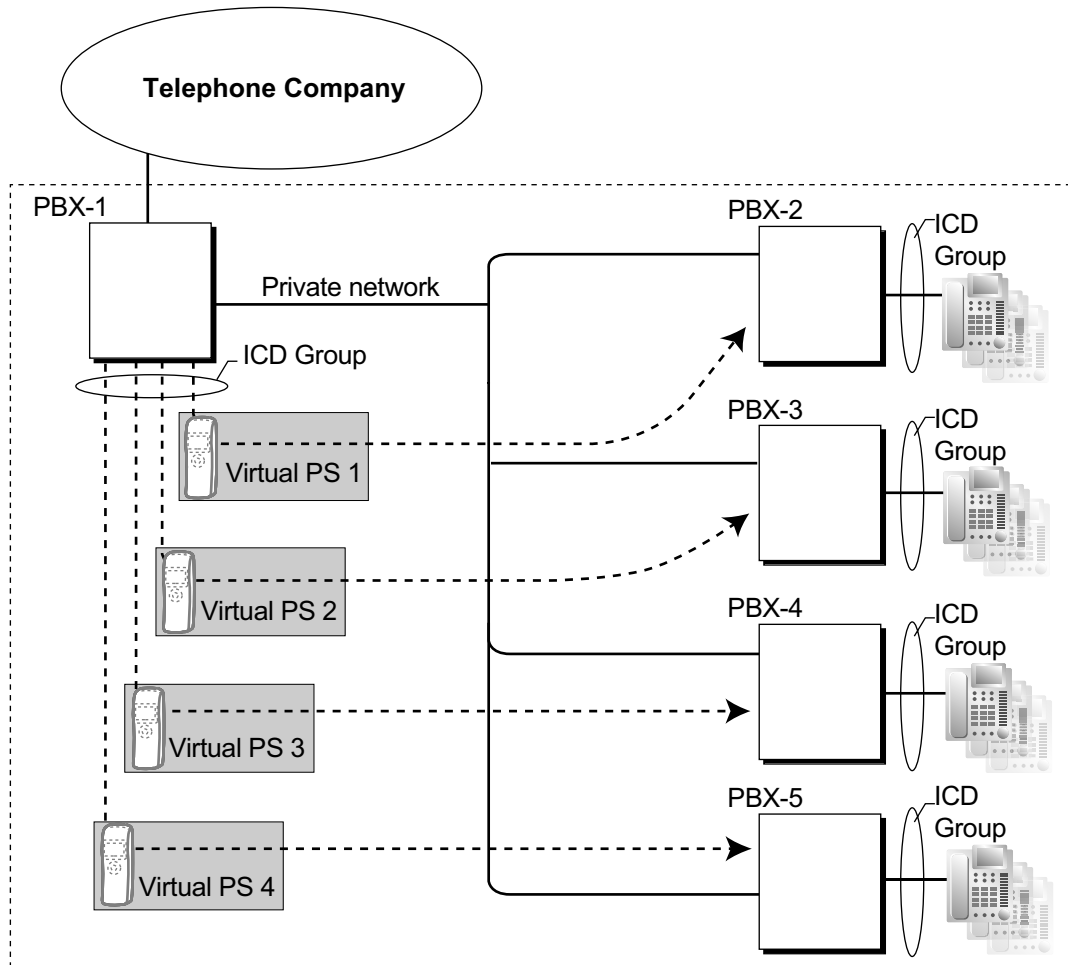
- 1.2.1 Making Calls
- 2.1.4 Private Network Features—NDSS (Network Direct Station Selection) Monitor Release

15.1.15 Private Network Features—Network ICD Group

Description

An Incoming Call Distribution (ICD) Group can include up to 4 destinations at other PBXs in a private network, including the floating extension number of another ICD Group. This is done by assigning a virtual PS as a member of the ICD Group, and then setting the number of a destination at another PBX as the forwarding destination for that virtual PS. This allows multiple ICD groups at remote locations to receive calls together.

In addition to the Ring distribution method, Uniform Call Distribution (UCD) and Priority Hunting can also be selected. (→ 10.1.2 ICD Group Features—Group Call Distribution)



Conditions

- KX-NSE101, KX-NSE105, KX-NSE110, or KX-NSE120 (Activation Key for Mobile Extension) is required to use this feature. One activation key is required for each extension (virtual PS) that will use this feature. Also, the **Mobile Extension** setting for each virtual PS must be set to **Enable**.
- The conditions for **10.1.4 ICD Group Features—Outside Destinations** also apply to this feature.
- Call distribution to the longest idle extension (Automatic Call Distribution) cannot be used with Virtual PS ICD Group members.

PC Programming Manual References

10.9 PBX Configuration—[2-9] System—System Options—Option 4

→◆ Send CLIP of CO Caller—when call is forwarded to CO

→◆ Send CLIP of Extension Caller—when call is forwarded to CO

12.1.1 PBX Configuration—[4-1-1] Extension—Wired Extension—Extension Settings—Option 9—◆ Mobile Extension

12.2.1 PBX Configuration—[4-2-1] Extension—Portable Station—Extension Settings—Option 9—◆ Mobile Extension

Feature Manual References

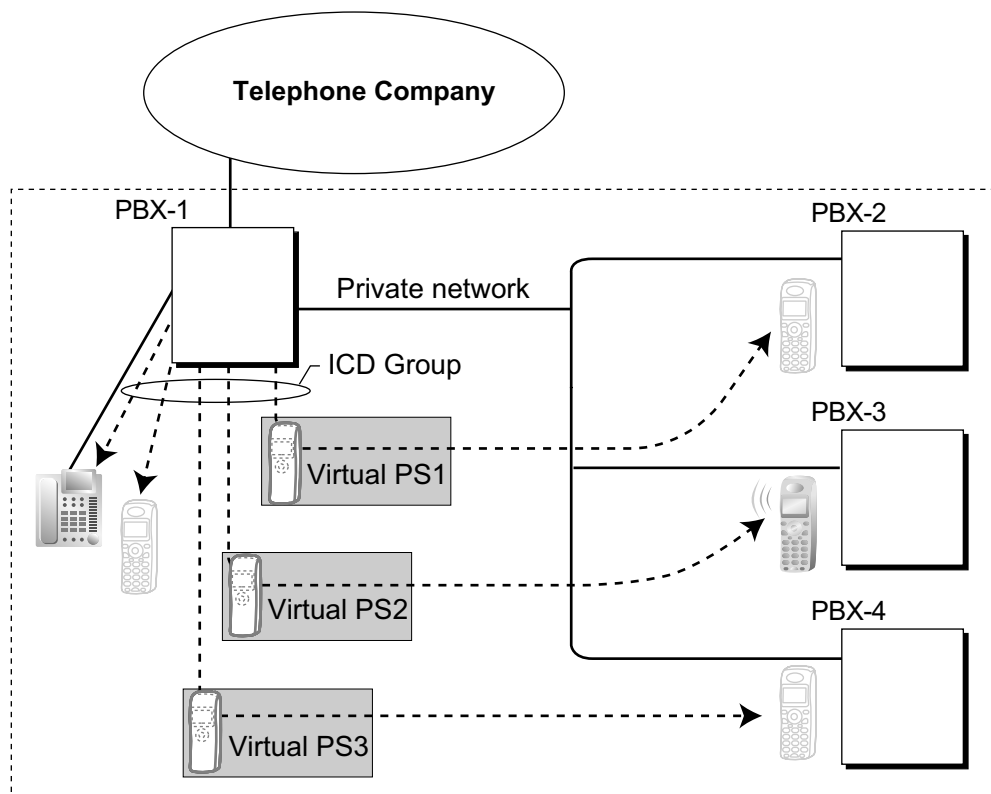
10.1.4 ICD Group Features—Outside Destinations

21.1.2 Virtual PS

15.1.16 Private Network Features—PS Roaming by Network ICD Group

Description

One PS can be registered to up to 4 PBXs in a private network, and a Network ICD group created for the PS at each PBX, with virtual PSs set to forward to the other PBXs in the network. When a call to the PS is received at one of the PBXs, the call rings simultaneously at all PBXs in the network to which that PS is registered.



Each virtual PS is set to forward calls to the extension number of the actual PS as registered at one of the other PBXs.

Then, an Incoming Call Distribution (ICD) Group is created containing the registered PS and the virtual PSs. When a call is received at one of the PBXs, it is forwarded to all of the other PBXs. One private network channel is used to forward an incoming call to one other PBX. Therefore, if a PS is registered at 3 other PBXs, 3 private network channels are needed to forward a single call to all of the PBXs.

Each PBX can store the current communication status of each PS (In Range or Out of Range). If the status of the PS is set to Out of Range when a call is received, the call will be refused and the private network channel will be released immediately. Since the PS can only be set to In Range at a single PBX at one time, any other PBXs to which the call is transferred will refuse the call, releasing the VoIP or ISDN channels.

Conditions

- KX-NSE101, KX-NSE105, KX-NSE110, or KX-NSE120 (Activation Key for Mobile Extension) is required to use this feature. One activation key is required for each extension (virtual PS) that will use this feature. Also, the **Mobile Extension** setting for each virtual PS must be set to **Enable**.
- If no signal is received from a PS for the preprogrammed length of time when an incoming call is received, the communication status of the PS is set to Out of Range, if enabled through system programming.
- When a PS comes within range of a certain PBX, Out of Range status is automatically released. However, in some negative wireless network conditions, Out of Range status may not be released automatically. In this case, the PS user can manually release Out of Range status by pressing the Talk key and confirming that a dial tone can be heard from the PBX.
- If the status of a PS is set to Out of Range at all PBXs that it is registered to, the call will be redirected to the overflow destination of the ICD Group.
- Handover from one PBX to another PBX during a conversation is not possible.

PC Programming Manual References

- 10.3 PBX Configuration—[2-3] System—Timers & Counters—Miscellaneous—◆ System Wireless—PS Out of Range Timer
- 10.9 PBX Configuration—[2-9] System—System Options—Option 4—◆ System Wireless—Out of Range Registration
- 11.5.1 PBX Configuration—[3-5-1] Group—Incoming Call Distribution Group—Group Settings—Main
 - ◆ Floating Extension Number
 - ◆ Distribution Method
- 11.5.1.1 PBX Configuration—[3-5-1] Group—Incoming Call Distribution Group—Group Settings—Member List
- 12.1.1 PBX Configuration—[4-1-1] Extension—Wired Extension—Extension Settings—Option 9—◆ Mobile Extension
- 12.2.1 PBX Configuration—[4-2-1] Extension—Portable Station—Extension Settings—Option 9—◆ Mobile Extension

Feature Manual References

- 10.1.4 ICD Group Features—Outside Destinations

15.1.17 PRIVATE NETWORK FEATURES—QSIG

Description

QSIG is a protocol which is based on ISDN (Q.931) and offers enhanced PBX features in a private network. The QSIG network supports private communications by the TIE line service method. The following features are available for an ISDN-QSIG or VoIP private network. For ISDN, system programming is required to specify whether each feature (excluding Calling Line Identification Presentation [CLIP]) is available for each port of the private network.

[Standard Service Table]

Service	Description & Reference
Calling Line Identification Presentation (CLIP)	Sends the caller's number to the QSIG network when making a call. → 15.1.20 Private Network Features—QSIG—CLIP/COLP (Calling/Connected Line Identification Presentation) and CNIP/CONP (Calling/Connected Name Identification Presentation)
Connected Line Identification Presentation (COLP)	Sends the number of the answered party to the QSIG network when answering a call. → 15.1.20 Private Network Features—QSIG—CLIP/COLP (Calling/Connected Line Identification Presentation) and CNIP/CONP (Calling/Connected Name Identification Presentation)
Calling Line Identification Restriction (CLIR)	Prevents the caller's CLI being presented to the called party by the caller. → 15.1.20 Private Network Features—QSIG—CLIP/COLP (Calling/Connected Line Identification Presentation) and CNIP/CONP (Calling/Connected Name Identification Presentation)
Connected Line Identification Restriction (COLR)	Prevents COLP being sent by the answered party. → 15.1.20 Private Network Features—QSIG—CLIP/COLP (Calling/Connected Line Identification Presentation) and CNIP/CONP (Calling/Connected Name Identification Presentation)
Calling Name Identification Presentation (CNIP)	Sends the caller's name to the QSIG network when making a call. → 15.1.20 Private Network Features—QSIG—CLIP/COLP (Calling/Connected Line Identification Presentation) and CNIP/CONP (Calling/Connected Name Identification Presentation)
Connected Name Identification Presentation (CONP)	Sends the name of the answered party to the QSIG network when answering a call. → 15.1.20 Private Network Features—QSIG—CLIP/COLP (Calling/Connected Line Identification Presentation) and CNIP/CONP (Calling/Connected Name Identification Presentation)
Calling Name Identification Restriction (CNIR)	Prevents the caller's name being presented to the called party by the caller. → 15.1.20 Private Network Features—QSIG—CLIP/COLP (Calling/Connected Line Identification Presentation) and CNIP/CONP (Calling/Connected Name Identification Presentation)
Connected Name Identification Restriction (CONR)	Prevents CONP being sent by the answered party. → 15.1.20 Private Network Features—QSIG—CLIP/COLP (Calling/Connected Line Identification Presentation) and CNIP/CONP (Calling/Connected Name Identification Presentation)

Service	Description & Reference
Call Forwarding (CF)—by QSIG	Forwards a call to the QSIG network. → 15.1.19 Private Network Features—QSIG—CF (Call Forwarding)
Call Transfer (CT)—by QSIG	Transfers a call to the QSIG network. → 15.1.21 Private Network Features—QSIG—CT (Call Transfer)
Completion of Calls to Busy Subscriber (CCBS)—by QSIG	Receives callback ringing when a busy called party on the QSIG network becomes free. → 15.1.18 Private Network Features—QSIG—CCBS (Completion of Calls to Busy Subscriber)

[Enhanced Service Table]

Service	Description & Reference
Network Direct Station Selection (NDSS)	Allows the extensions connected to up to seven other PBXs in a network to be monitored, as well as the transferring of calls to those extensions with one touch. → 15.1.14 Private Network Features—NDSS (Network Direct Station Selection)
Centralized Voice Mail	Allows up to 8 PBXs to share the services of the Unified Messaging system of a KX-NS1000 PBX or a VPS (Voice Processing System) connected to another, non-KX-NS1000 PBX in DPT integration. This Unified Messaging system or VPS can provide voice mail for extensions attached to any of the PBXs in the network. → 15.1.13 Private Network Features—Centralized Voice Mail

Feature Manual References

- 10.1.16 ISDN (INTEGRATED SERVICES DIGITAL NETWORK) FEATURES
- 15.1.12 PRIVATE NETWORK FEATURES

15.1.18 Private Network Features—QSIG—CCBS (Completion of Calls to Busy Subscriber)

Description

If the call has been made to an extension in another PBX in the QSIG network and the called party is busy, an extension user can set to receive callback ringing when the called party becomes free. When the user answers the callback ringing, that party's number is automatically dialed.

Conditions

- This feature is available under the following conditions:
 - a. The caller's PBX is capable of using CCBS.
 - b. The called party's PBX is capable of accepting CCBS.
- For ISDN, receiving and sending CCBS must be enabled individually on an ISDN (QSIG) port basis through system programming.
- An extension user can set only one CCBS. The last setting is effective.
- The CCBS setting is canceled if there is no callback ringing within 60 minutes or callback ringing is not answered within 10 seconds.

PC Programming Manual References

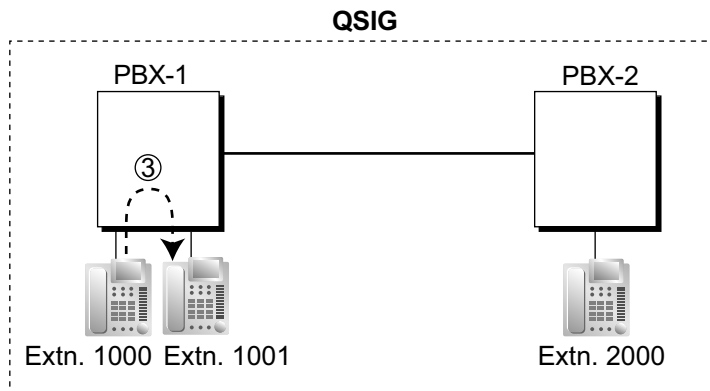
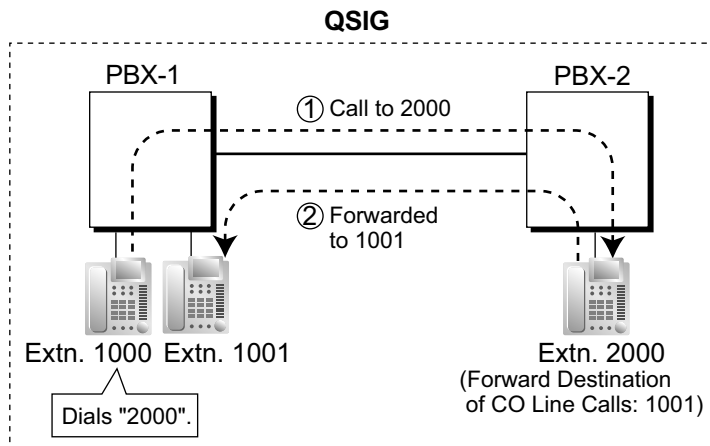
- 9.27 PBX Configuration—[1-1] Configuration—Slot—Port Property - PRI Port—Supplementary Service—◆ COLP, CLIR, COLR, CNIP, CONP, CNIR, CONR, CF (Rerouting), CT, CCBS, E911
- 9.31 PBX Configuration—[1-3] Configuration—Option—◆ New Card Installation—ISDN Standard Mode for PRI23 Card

15.1.19 Private Network Features—QSIG—CF (Call Forwarding)

Description

The PBX forwards the call to a destination extension in another PBX in the QSIG network. The destination can be set on your own PBX on an extension basis as the forward destination of CO line calls (→ 7.1.6 FWD (Call Forwarding)).

If the same trunk group is used for the incoming call and the forwarded call, the following situation will be possible.

[Example]

- ① Extension 1000 of PBX-1 dials extension number "2000", and the call is sent to extension "2000" of PBX-2 through QSIG network.
- ② The call is forwarded to the forward destination of CO line calls of extension 2000, which is extension "1001" of PBX-1.
- ③ The call between PBX-1 and PBX-2 is released, and the call is connected directly to the forward destination of extension 2000.

Conditions

- This feature can be enabled or disabled on each ISDN (QSIG) port of the PBX.

PC Programming Manual References

9.27 PBX Configuration—[1-1] Configuration—Slot—Port Property - PRI Port—Supplementary Service—◆ COLP, CLIR, COLR, CNIP, CONP, CNIR, CONR, CF (Rerouting), CT, CCBS, E911

9.31 PBX Configuration—[1-3] Configuration—Option—◆ New Card Installation—ISDN Standard Mode for PRI23 Card

Operating Manual References

1.3.30 FWD (Call Forwarding)

15.1.20 Private Network Features—QSIG—CLIP/COLP (Calling/Connected Line Identification Presentation) and CNIP/CONP (Calling/Connected Name Identification Presentation)

Description

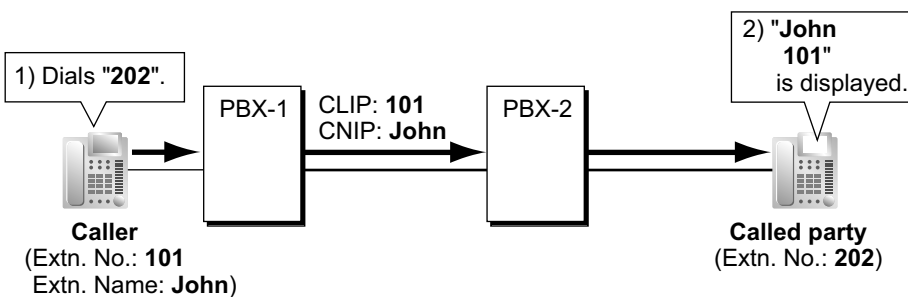
Calling Line Identification Presentation (CLIP) and Calling Name Identification Presentation (CNIP):

The PBX can send a preprogrammed extension number and/or name to the QSIG network when an extension user makes a call. The called party can see the number and/or name on his telephone display before answering the call.

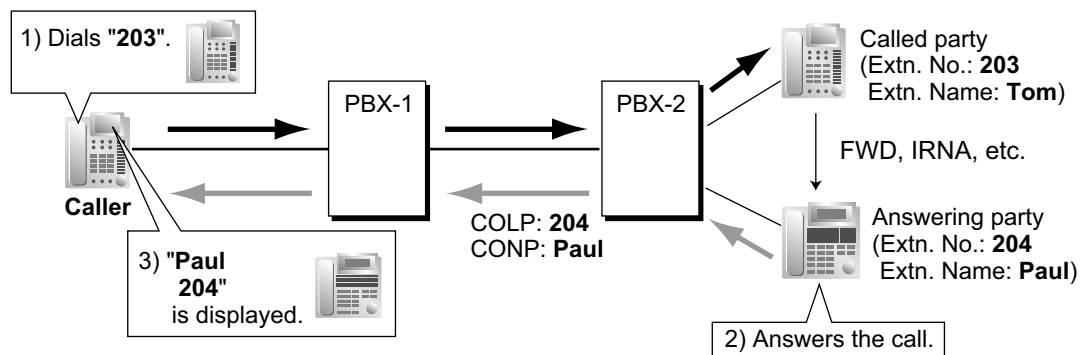
Connected Line Identification Presentation (COLP) and Connected Name Identification Presentation (CONP):

The PBX sends a preprogrammed extension number and/or name to the QSIG network when the extension user answers an incoming call. The caller can see the number and/or name of the answering party on his telephone display when the call is answered.

[CLIP/CNIP Example]



[COLP/CONP Example]



CLIP/COLP Number:

The extension number sent to the QSIG network for CLIP/COLP can be assigned for each extension through system programming.

CNIP/CONP Name:

The extension name sent to the QSIG network for CNIP/CONP can be assigned for each extension through system programming.

Calling/Connected Line Identification Restriction (CLIR/COLR):

It is possible for each extension to restrict the sending of its extension number to the QSIG network by pressing the CLIR button, COLR button, or entering the feature number.

Calling Name Identification Restriction (CNIR) and Connected Name Identification Restriction (CONR)

It is possible for each extension to restrict the sending of its extension name to the QSIG network. When CLIR is activated, CNIR becomes active automatically. When COLR is activated, CONR becomes active automatically.

Conditions

- **COLP/CLIR/COLR/CNIP/CONP/CNIR/CONR Assignment for Each Port**
Each service can be enabled or disabled on each ISDN (QSIG) port of the PBX.
- **CLIR Button and COLR Button**
It is possible to switch between CLIP and CLIR by pressing the CLIR button, and COLP and COLR by pressing the COLR button. A flexible button can be customized as the CLIR or COLR button.

PC Programming Manual References

- 9.27 PBX Configuration—[1-1] Configuration—Slot—Port Property - PRI Port—Supplementary Service—◆
COLP, CLIR, COLR, CNIP, CONP, CNIR, CONR, CF (Rerouting), CT, CCBS, E911
- 10.6.1 PBX Configuration—[2-6-1] System—Numbering Plan—Main—Features
 - ◆ COLR Set / Cancel
 - ◆ CLIR Set / Cancel
- 12.1.1 PBX Configuration—[4-1-1] Extension—Wired Extension—Extension Settings—Main
 - ◆ Extension Number
 - ◆ Extension Name
- 12.2.1 PBX Configuration—[4-2-1] Extension—Portable Station—Extension Settings—Main
 - ◆ Extension Number
 - ◆ Extension Name

Feature Manual References

- 7.1.3 Flexible Buttons

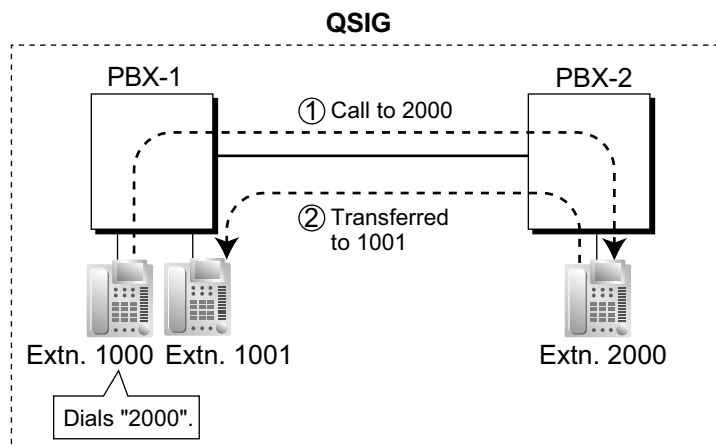
Operating Manual References

- 1.3.53 Private Network Features—CLIP (Calling Line Identification Presentation)
- 1.3.54 Private Network Features—CLIR (Calling Line Identification Restriction)
- 1.3.56 Private Network Features—COLR (Connected Line Identification Restriction)

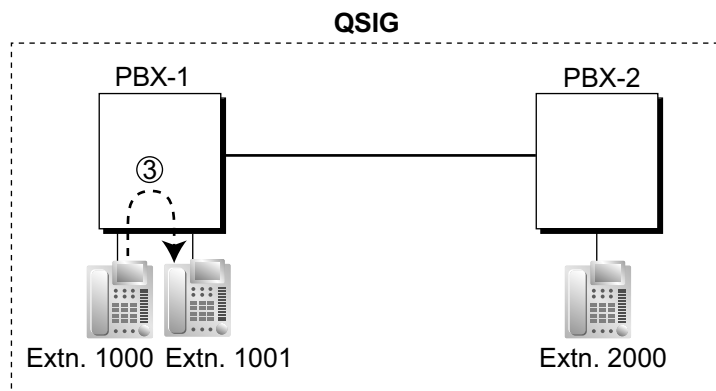
15.1.21 Private Network Features—QSIG—CT (Call Transfer)**Description**

The PBX transfers the call to a destination extension in another PBX in the QSIG network. If the same trunk group is used for the incoming call and the transferred call, the following situation will be possible.

[Example]



- ① Extension 1000 of PBX-1 dials extension number "2000", and the call is sent to extension "2000" of PBX-2 through QSIG network.
- ② The call is transferred from extension 2000 to extension "1001" of PBX-1.
- ③ The call between PBX-1 and PBX-2 is released, and the call is connected directly to the transfer destination of extension 2000.



Conditions

- This feature can be enabled or disabled on an ISDN (QSIG) port basis.
- Call Transfer with Announcement and Call Transfer without Announcement is possible (→ 4.1.10 Call Transfer).

PC Programming Manual References

9.27 PBX Configuration—[1-1] Configuration—Slot—Port Property - PRI Port—Supplementary Service—◆ COLP, CLIR, COLR, CNIP, CONP, CNIR, CONR, CF (Rerouting), CT, CCBS, E911

9.31 PBX Configuration—[1-3] Configuration—Option—◆ New Card Installation—ISDN Standard Mode for PRI23 Card

Operating Manual References

1.3.11 Call Transfer

15.1.22 Private Network Features—QSIG—Enhanced Features

Description

When PBXs are networked using ISDN or V-IPGW cards, the following enhanced features are available.

When Calling an Extension in Another PBX and the Called Extension is Ringing

Feature	Description and Reference
Leave Message Waiting	→ 13.1.3 Message Waiting
Absent Message Display	→ 2.1.1 Absent Message
Ringing extension name display before answer	The ringing extension's name is displayed to the caller before the call is answered.

When the Called Extension of Another PBX is Busy

Feature	Description and Reference
Call Waiting	→ 4.1.11 CALL WAITING FEATURES Note When this feature is used over a network, a call waiting tone will be sent, even if OHCA or Whisper OHCA is enabled.
Executive Busy Override	→ 6.1.5 Executive Busy Override
Call Monitor	→ 4.1.6 Call Monitor
Leave Message Waiting	→ 13.1.3 Message Waiting

- When a called extension on another PBX is busy, Automatic Callback Busy can be used as a Standard QSIG feature (→ 15.1.18 Private Network Features—QSIG—CCBS (Completion of Calls to Busy Subscriber)).
- The caller will be informed an extension is busy with a busy tone and a display indication.
- Soft button operation is available for Call Waiting, Automatic Callback Busy and Executive Busy Override.

When the Called Extension of Another PBX has Do Not Disturb (DND) Set

Feature	Description and Reference
DND Override	→ 5.1.11 DND (Do Not Disturb)

- The caller will be informed an extension is set to DND by a DND tone and a display indication.
- Soft button operation is available for DND Override.

When Receiving a Call from an Extension of Another PBX

Feature	Description and Reference
Ring tone	Incoming calls from extensions in other PBXs are handled as intercom calls in regards to ring tone settings. → 17.1.2 Ring Tone Pattern Selection
Call Waiting	Incoming calls from extensions in other PBXs are handled as intercom calls in regards to Call Waiting settings. → 4.1.11 CALL WAITING FEATURES

Feature	Description and Reference
Call Forwarding (FWD)	Incoming calls from extensions in other PBXs are handled as intercom calls in regards to FWD settings. The Boss and Secretary feature will also function over a network. → 7.1.6 FWD (Call Forwarding)
Do Not Disturb (DND)	Incoming calls from extensions in other PBXs are handled as intercom calls in regards to DND settings. The Boss and Secretary feature will also function over a network. → 5.1.11 DND (Do Not Disturb)
Hands-free Answerback	Incoming calls from extensions in other PBXs are handled as intercom calls in regards to Hands-free Answerback settings. The Class of Service with Hands-free Answerback feature will also function over a network. → 9.1.1 Hands-free Answerback
Internal Call Block	Incoming calls from extensions in other PBXs are handled as intercom calls in regards to the Internal Call Block feature. For example, only branch office managers can be allowed to call the president at the main office, but other extensions in the branch office cannot call the president. → 10.1.14 Internal Call Block → 4.1.22 COS (Class of Service)

During a Call with Another Party

Feature	Description and Reference
Transfer to Busy Extension using Queuing (Camp-on Transfer)	You can transfer a call over the network to a busy extension in another PBX without having to use a Call Waiting operation. → 4.1.10 Call Transfer Note Call Transfer over a network is also supported as a standard QSIG feature. (→ 15.1.21 Private Network Features—QSIG—CT (Call Transfer))

For Incoming Calls to an Extension on Another Networked PBX

Feature	Description and Reference
Directed Call Pickup	An extension user can answer a call ringing at another networked PBX extension. → 4.1.8 Call Pickup

Conditions

- KX-NSN002 (Activation Key for QSIG Network) is required for each Master unit to use these features. Furthermore, all PBXs in the network must be KX-NS1000 PBXs, or KX-NCP/KX-TDE series with MPR Software Version 4.1000 or later.
- A separate activation key is required for non-KX-NS1000 PBXs. For details, refer to the corresponding Feature Manual.
- Enhanced QSIG features can be disabled at the TIE Table level through system programming.

- Calls made by accessing a CO line via an S-CO button or Trunk Group Access feature number, etc. cannot use enhanced QSIG features because they do not refer to the TIE Table. This includes calls made from the call history of Communication Assistant (CA) because such calls specify a trunk group directly.
- Calls forwarded using CF (Call Forwarding) by QSIG cannot use enhanced QSIG features.
- **Leave Message Waiting**
Over a network, the Message Waiting set/cancel/callback feature number cannot be used to set or cancel Message Waiting.
- **Executive Busy Override**
When executive busy override is used to interrupt a call between an extension in another PBX and an outside caller to make a 3-party conference call, and then the extension in the other PBX leaves the conversation, the call will be considered a CO-to-CO line call. If enabled through system programming, the call will be terminated at this time.
- **Directed Call Pickup**
 - **When dialing using the PBX Code Method (Access with PBX Code)**
Dial as follows: [TIE Line Access Number] + [PBX Code of ringing extension] + [Directed Call Pickup feature number] + [Ringing extension number].
For example, to pick up the ringing extension 101 that is in another PBX with the PBX Code 123, you would dial "7-123-~~*~~41-101".
 - **When dialing using the Extension Number Method (Access without PBX Code)**
Dial as follows: [All but last digit of the ringing extension number + ~~*~~] + [Directed Call Pickup feature number] + [Ringing extension number].
For example, to pick up the ringing extension 321 over a network, dial "32~~*~~-~~*~~41-321".
 - To use Directed Call Pickup over a VoIP network using Common Extension Numbering for Multiple PBXs, the operation must be predialed, or executed using CTI.

PC Programming Manual References

10.9 PBX Configuration—[2-9] System—System Options—Option 2—3.1 Home Screen

17.1 PBX Configuration—[9-1] Private Network—TIE Table—Enhanced QSIG

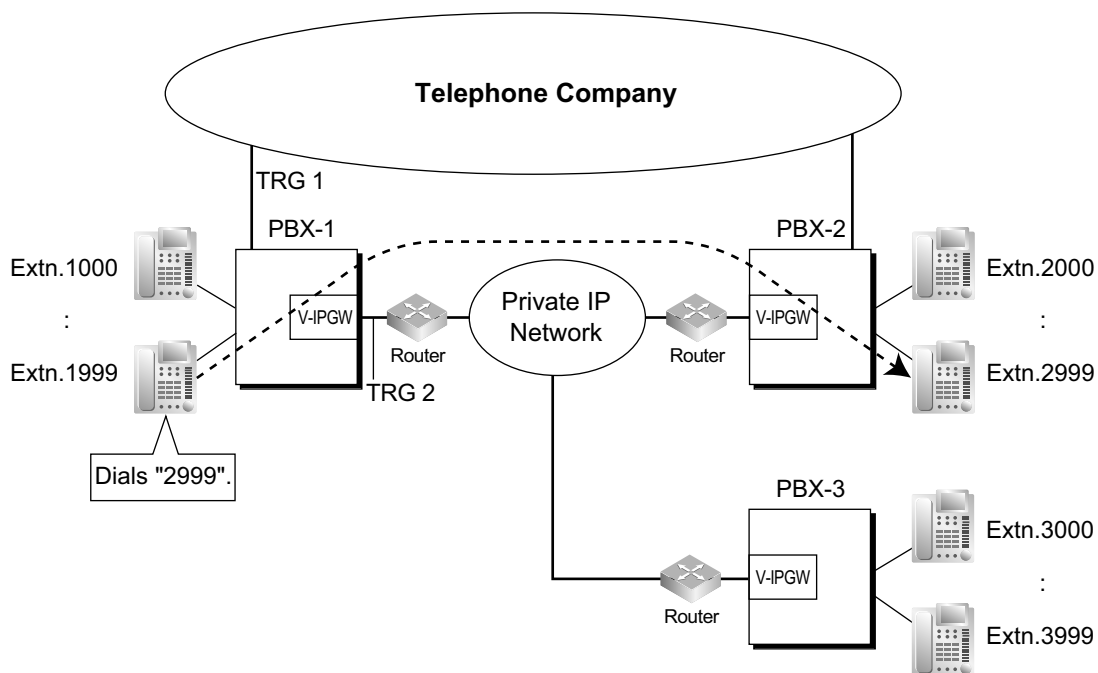
15.1.23 Private Network Features—VoIP (Voice over Internet Protocol)

Description

When a PBX is connected to another PBX via a private IP network, voice signals are converted into IP packets and sent over the network. This is known as Voice over IP (VoIP). This PBX uses the H.323 standard for VoIP communication.

VoIP networks support private network communications using TIE line service.

[Example]



Required Programming

- **PBX**
 For making a call:
 ARS programming (→ 2.1.3 ARS (Automatic Route Selection)) or TIE line service programming
 For receiving a call:
 TIE line service programming

[TIE Line Routing and Modification Table]

Location No.	Leading No.	Priority 1			Priority 2			..	
		TRG	Dial Modification		TRG	Dial Modification			..
			Removed No. of Digits	Added No.		Removed No. of Digits	Added No.		
01	2	2 (VoIP port)	0					..	
02	3	2	0					..	
:	:	:	:	:	:	:	:	:	

[Explanation]

Calls to destinations with leading number "2" or "3" are automatically routed through the VoIP ports, designated as trunk group 2.

- **IP Gateway**
 IP address assignment for the local PBX and other PBXs.
[Programming Example]

Destination	
Leading No.	IP Address
2	200.45.11.35
3	199.176.64.1
:	:

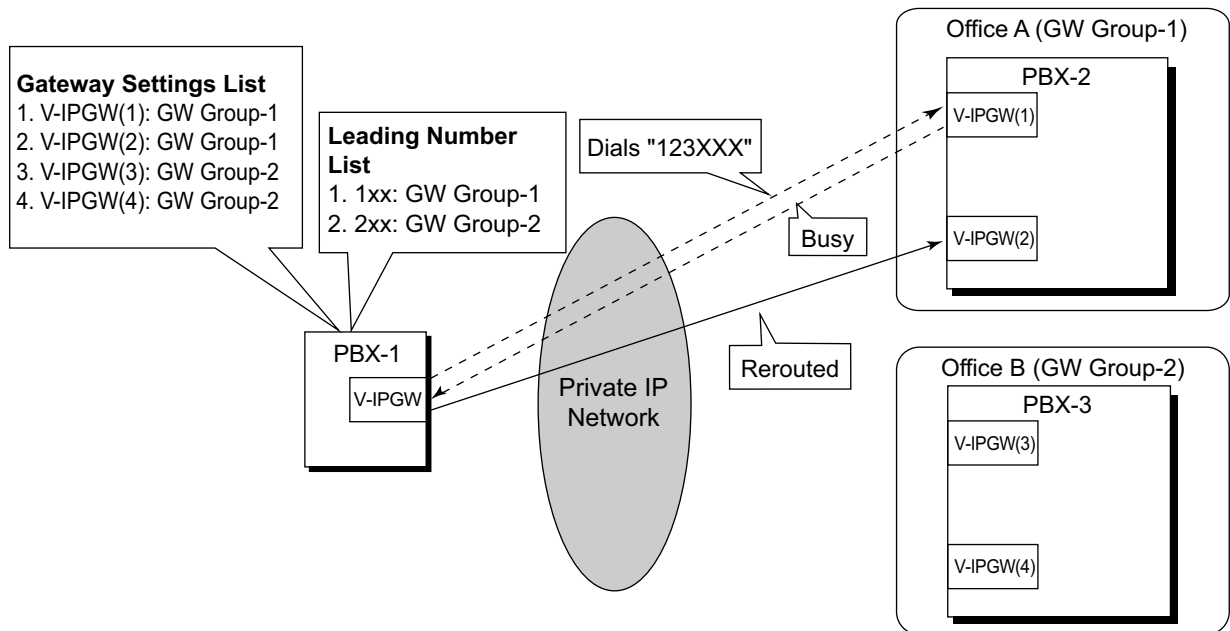
[Explanation]

Calls are routed to the IP address of each V-IPGW/IP-GW card based on the leading number dialed.

Gateway Groups

It is possible to automatically reroute outgoing VoIP calls according to preassigned gateway groups. A gateway device can be assigned a gateway group number based on its IP Address. When a call is made using a leading number allocated to a gateway group, it is routed to the lowest-numbered available device within that group. In other words, if the lowest-numbered device is busy or not available, the call slides to the next available device.

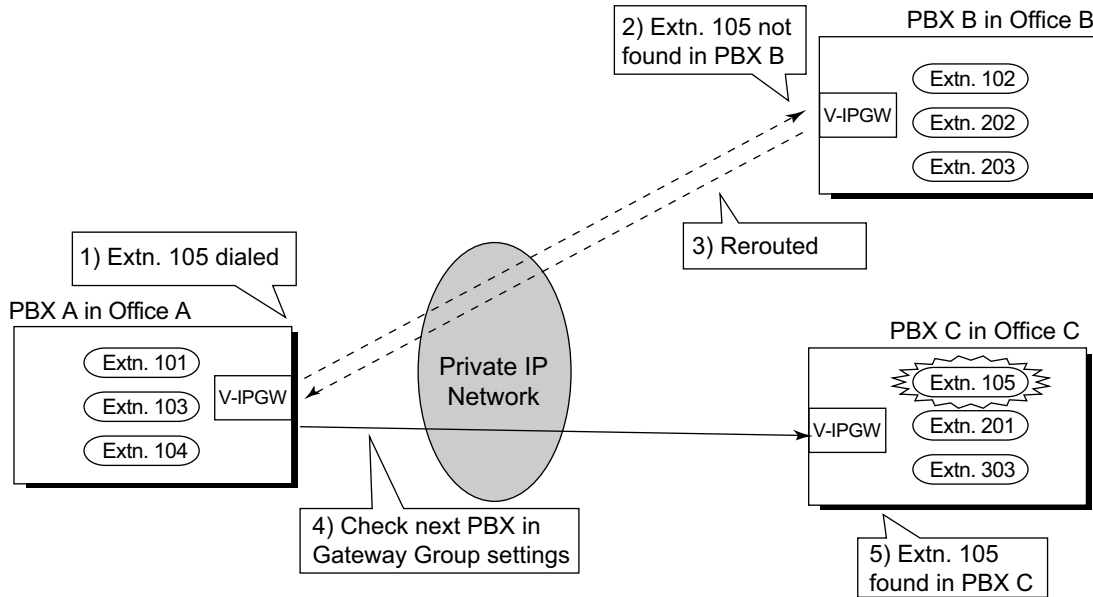
[Example]



When "123XXX" is dialed, the call is routed to GW Group-1. However the lowest-numbered device (V-IPGW(1)) is busy or not available, so the call is rerouted to V-IPGW(2).

Common Extension Numbering for Multiple PBXs

Multiple PBXs in separate locations, connected in an IP network, can share a common block of extensions designated in a gateway group.



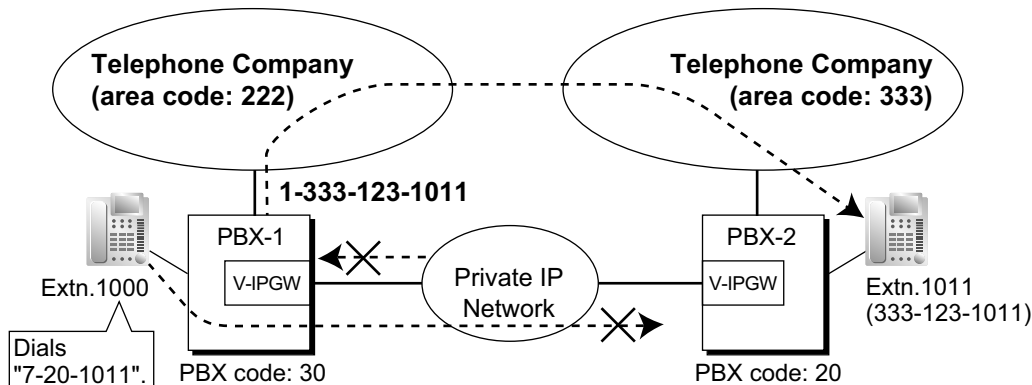
Explanation:

In the same way as when connected by a TIE Line, if a dialed number is not found at the local PBX, the call can be sent to other PBXs connected via an IP network. When an extension number is dialed, the PBX first searches local extensions for a matching number. If there is no match, the PBX then checks the TIE Line Routing Table for the Gateway Group for a corresponding entry. If an entry is found, the call is sent to the connected PBX.

Automatic Rerouting of VoIP Calls to Public CO Lines

When a VoIP call cannot be completed successfully, the PBX can automatically attempt to make the call using a public CO line instead. This provides a backup method of making calls in cases when IP network transmission cannot be completed successfully.

[Example]



The leading numbers of extensions accessed through the VoIP network are added as entries to the Quick Dialing table, in addition to being registered as Other PBX Extension Numbers, as shown below:

[Programming Example]

Number to dial to call an extension at another PBX using VoIP network:
 7 (TIE line access number) + 20 (PBX Code) + 1011 (extension number)

Number to dial to call that extension using a public CO line:
9 (CO line access number) + 1-333-123-1011

[Quick Dialing Table]

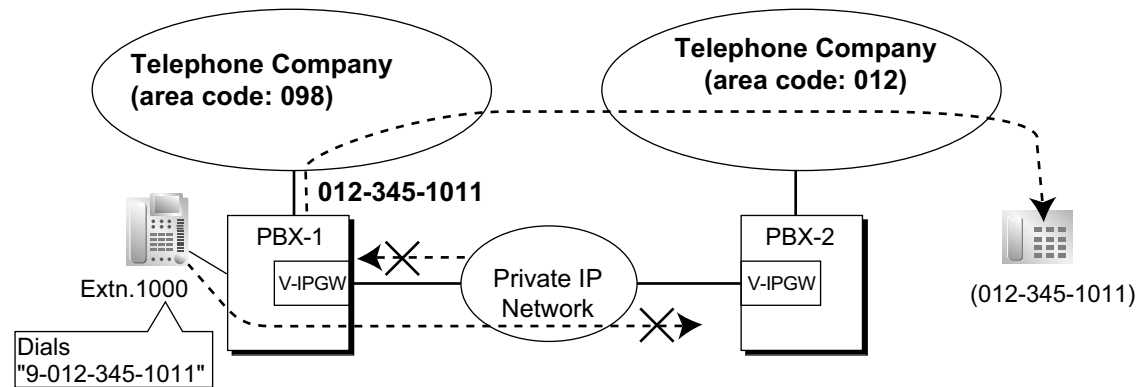
Quick Dialing No.	Destination No.
720	91333123

If the call cannot be completed using the VoIP network, and the dialed leading number is found in the Quick Dialing Table, the call will be automatically rerouted to a CO line and as specified by the corresponding destination number.

When a call is made using the VoIP network, if the PBX does not receive a reply from the other PBX within about 4 seconds of making the call, or an error is returned, the call is rerouted to a public CO line as specified.

Automatic Rerouting of VoIP Calls to Public CO lines using ARS

When dialing an outside party using ARS, the call can be rerouted to a public CO line if the call cannot be completed successfully.



Explanation:

1. An extension of PBX-1 dials the Idle Line Access number of PBX-1 "9" and telephone number "012-345-1011".
2. PBX-1 modifies and routes the call to PBX-2 through a private IP network according to the ARS programming of PBX-1.
3. The IP network transmission cannot be completed successfully and the call is rerouted via a public CO line to the outside party "012-345-1011".

[Quick Dialing Table]

The leading number (in this case, "9") of the dialed number is found in the Quick Dialing Table, and the call is automatically rerouted to the specified trunk group. It is necessary to specify a trunk group to make this type of call. If the idle line access number is used in a destination number, the call will be rerouted through the same private IP network according to the ARS programming, and the call will not be completed.

Quick Dialing No.	Destination No.
9	802

Sending Faxes Through the Network

Through system programming, it is possible to select whether faxes are sent using analog or T.38 protocol signals.

Conditions

[General]

- Some QSIG services are available. (→ 15.1.17 PRIVATE NETWORK FEATURES—QSIG)
- Toll Restriction (TRS) settings apply to calls rerouted to public CO lines. When making a call using System Speed Dialing, regular TRS settings are applied, even if the TRS Override by System Speed Dialing feature is enabled. (→ 19.1.5 TRS (Toll Restriction))

[Common Extension Numbering for Multiple PBXs]

- KX-NSN002 (Activation Key for QSIG Network) is required to use this feature. In a One-look network, the activation key is required only for the Master unit.
- System programming is required to enable this feature.
- If the called extension does not exist at the called PBX, the next PBX in the same gateway group is called automatically.
- The Routing to Operator setting in system programming must be disabled to use this feature.
- To use this feature, all PBXs in the IP network must be KX-NS1000 PBXs, or KX-NCP/KX-TDE series PBXs version 3.0000 or later.

Installation Manual References

4.4 Virtual Cards

PC Programming Manual References

9.12.2 PBX Configuration—[1-1] Configuration—Slot—Shelf Property - Virtual IP Gateway—Hunt Pattern

9.13 PBX Configuration—[1-1] Configuration—Slot—V-IPGW16—Port Property

17.1 PBX Configuration—[9-1] Private Network—TIE Table

18.4 PBX Configuration—[10-4] CO & Incoming Call—Miscellaneous—◆ Intercept—Routing to Operator - No Destination (Destination is not programmed.)

Feature Manual References

2.1.3 ARS (Automatic Route Selection)

15.1.12 PRIVATE NETWORK FEATURES

15.1.24 PS (Portable Station)

Description

A Panasonic portable station (PS) can be used in place of a proprietary telephone (PT), providing wireless access to PBX features and call handling.

Cell Stations (CSs) allow PSs to receive reception within a designated area.

1. Registration

Before a PS can be used, it must be registered with the PBX through system programming and assigned an extension number.

→ 9.30 PBX Configuration—[1-2] Configuration—Portable Station—PS Registration and De-registration—◆ Registration

Because a PS transmits radio waves, it is possible that a PS belonging to a neighboring PBX can be registered to your PBX. To prevent this sort of unauthorized registration, a personal identification number (PIN) can be programmed for this PBX that must be entered on the PS during registration. This PIN, if programmed, is only used during the PS registration process.

→ 9.30 PBX Configuration—[1-2] Configuration—Portable Station—PS Registration and De-registration—◆ Personal Identification Number

Each PS can be registered to more than one PBX if necessary, and registration can be canceled if a PS will no longer be used with one of these PBXs.

→ 9.30 PBX Configuration—[1-2] Configuration—Portable Station—PS Registration and De-registration—◆ De-registration

2. Connection

There are two ways a PS can be used.

As an Extension

A PS is assigned its own extension number when it is registered to a PBX. The PS can use this extension number to make and receive calls, just as a wired telephone can. A PS can be a member of an incoming call distribution (ICD) group, can be assigned as the destination for redirected calls, etc., just as a wired telephone can.

A PS can also be a member of a PS ring group (→ 15.1.27 PS—Ring Group). A PS ring group is a way for several PSs to be notified of an incoming call simultaneously, but does not offer all of the features provided by an ICD group. (→ 10.1.1 ICD GROUP FEATURES)

In Wireless XDP Parallel Mode

A PS can share an extension number with a wired telephone, allowing extension users to use their PSs when they are away from their desks to answer or make calls as if they were using their wired telephones. (→ 22.1.5 Wireless XDP Parallel Mode)

3. PS Interaction with CS

Each PS communicates with the PBX wirelessly through a cell station (CS). Each CS is connected to the PBX and sends and receives radio waves to and from different PSs within its range, using different channels for different PSs.

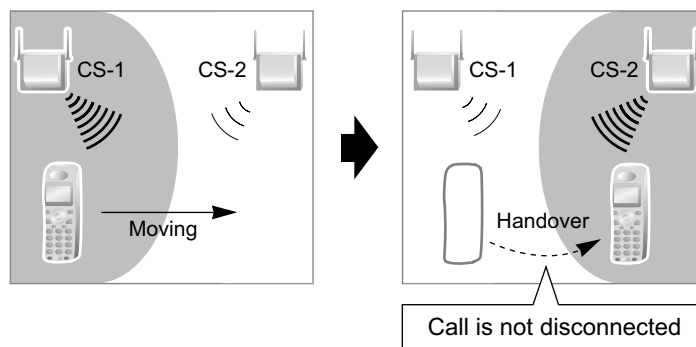
A PS must be within range of a CS in order to be used, however, multiple CSs can be used with the same PBX to offer a greater area of wireless coverage. Additionally, a PS does not need to be used with a specific CS; any PS can communicate with any CS provided the PS is registered to the PBX, and provided the CS has at least one channel available.

Handover

If a PS is within range of more than one CS, the PS will communicate with the CS which has the greatest signal strength and an available channel. When a PS user moves out of range of one CS and moves in range of another CS, the PS will "hand over" its communications to the new CS. Handover is possible when:

- a. The PS is on an intercom call or on a call with an outside party. (The call will not be disconnected during the handover.)
- b. A call is ringing at the PS. (The call will continue to ring after the handover.)
- c. The PS is in idle status (i.e., waiting to receive calls).
- d. In a stacking connection, the CSs are connected to different PBXs. (→ 18.1.9 Stacking Connection)

[Example of Handover]



Handover is not possible when the PS is:

- a. Not within range of another CS.
- b. Within range of another CS but that CS is busy.
- c. Screening a call via Live Call Screening (LCS) or recording a call via Two-way Record (→ 20.1.51 Unified Messaging—Live Call Screening (LCS) and 20.1.90 Unified Messaging—Two-way Record/Two-way Transfer)
- d. Paging other extensions. (→ 15.1.1 Paging)
- e. On a doorphone call.
- f. Dialing digits to make a CO line call.
- g. On a call with an extension which is recording the conversation via PC Console or PC Phone.

IP Cell Station

The IP Cell Station Unit (IP-CS) can be connected to a PBX via a LAN. The IP-CS supports existing DECT 6.0 Portable Stations (PSs) with the same features as using a traditional CS. The IP-CS allows for easy and cost-saving installation using an existing IP network infrastructure.

The IP-CS provides the following:

- Wireless systems using a converged voice and data network infrastructure.
- Wireless branch offices and wireless solutions by long distance installation on larger premises.
- Reliable wireless communication using DECT 6.0 technology over an IP network.

For more information about IP-CSs, refer to the IP-CS Quick Installation Guide.

Conditions

- If every CS that a PS is in range of is busy when that PS is called, the call will not be connected and the caller will hear a busy tone.
- For more information about connecting PSs to CSs, see the Quick Installation Guide for the relevant CS.
- The number of digits allowed for a PS extension number is determined by the PS model. See your PS documentation for details.
- **DSP Resource Usage**
Making a call from a PS requires a certain number of DSP resources, depending on the codec used. If all DSP resources are in use, this operation cannot be performed. To ensure a minimum level of performance, DSP resources can be reserved for VoIP communication. (→ 5.1.16 DSP Resource Usage)

PC Programming Manual References

9.30 PBX Configuration—[1-2] Configuration—Portable Station

Feature Manual References

7.1.4 Flexible Numbering/Fixed Numbering

15.1.25 PS—Directory

Description

A portable station (PS) user can make a call or access PBX features using information stored in the PS and PBX.

Refer to the Operating Instructions supplied with your PS for available directories and usage.

Directory Type	Description	Programming
PS Dialing Directory	A list of names and telephone numbers. Used to make a call to one of the stored parties.	Stored in the PS by the PS user.
Quick Dialing	A list of frequently dialed feature numbers as well as names and telephone numbers. Used to quickly access one of the stored features, or quickly make a call to one of the stored parties.	Stored in the PS by the PS user.
System Speed Dialing Directory	A system-wide list of names and telephone numbers. Used to make a call to one of the stored parties.	Stored in the PBX.
PBX Extension Dialing Directory	A system-wide list of extension names. Used to make a call to one of the stored extensions.	Stored in the PBX.

PC Programming Manual References

- 12.1.1 PBX Configuration—[4-1-1] Extension—Wired Extension—Extension Settings—Main—◆ Extension Name
- 12.2.1 PBX Configuration—[4-2-1] Extension—Portable Station—Extension Settings—Main—◆ Extension Name
- 14.1 PBX Configuration—[6-1] Feature—System Speed Dial
 - ◆ Name
 - ◆ CO Line Access Number + Telephone Number

15.1.26 PS—Feature Buttons

Description

Although a portable station (PS) does not feature as many buttons as a proprietary telephone (PT), a PS can be customized to give a PS user access to PBX features, just as the flexible buttons on a PT can be customized. (→ 7.1.3 Flexible Buttons)

15.1.27 PS—Ring Group

Description

A PS ring group is a way for several portable stations (PSs) to be notified of an incoming call simultaneously, while using only one channel of a cell station (CS).

Normally when a PS receives a call, one channel of a CS is used to ring the PS (→ 15.1.24 PS (Portable Station)). If several PSs are members of an incoming call distribution (ICD) group, the available channels of a CS will become busy just by ringing each PS. Assigning a group of PSs to a PS ring group alleviates this strain on the CS because only one channel is needed to ring a PS ring group's members.

PS ring group members and related parameters are assigned through system programming, as explained below.

- a. Floating Extension Number:** When this number is called, all PSs in the group ring.
- b. Group Name:** Can be displayed on a ringing PS to indicate that the incoming CO line call is a group call, and not a call directed to the PS's extension number. This is only available when Incoming CO Line Call Information Display is set to "Called Number".
- c. Incoming CO Line Call Information Display:** Determines which information is shown on the PS display when a group call is received. Select "Caller ID" to display the caller's telephone number or name, or "Called Number" to display the name of the PS ring group which is receiving the call.

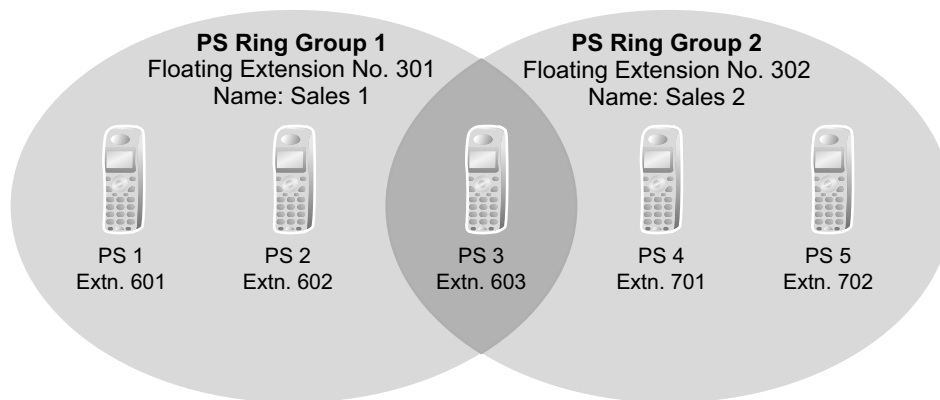
- d. **Member PSs:** Select each PS that will be a member of the corresponding PS ring group. Note that a PS can belong to more than one PS ring group.

[Programming Example: PS Ring Group]

	PS Ring Group 1	PS Ring Group 2	PS Ring Group 3
Floating Extension No.	301	302	303
Group Name	Sales 1	Sales 2	Customer Service
Incoming CO Line Information Display	Caller ID	Called Number	Caller ID
PS 1	✓		
PS 2	✓		
PS 3	✓	✓	
PS 4		✓	
PS 5		✓	
PS 6			✓
PS 7			✓
PS 8			✓

✓ PS Ring Group Member

[Example of PS Ring Groups 1 and 2]



Explanation:

PS Ring Group 1

PS 1, PS 2, and PS 3 will ring simultaneously when a call is directed to floating extension number 301, and, in the case of a CO line call, will display the Caller ID information for the call.

These PSs will ring individually when a call is directed to their assigned extension numbers (programming not shown here).

PS Ring Group 2

PS 3, PS 4, and PS 5 will ring simultaneously when a call is directed to floating extension number 302, and, in the case of a CO line call, will display "Sales 2".

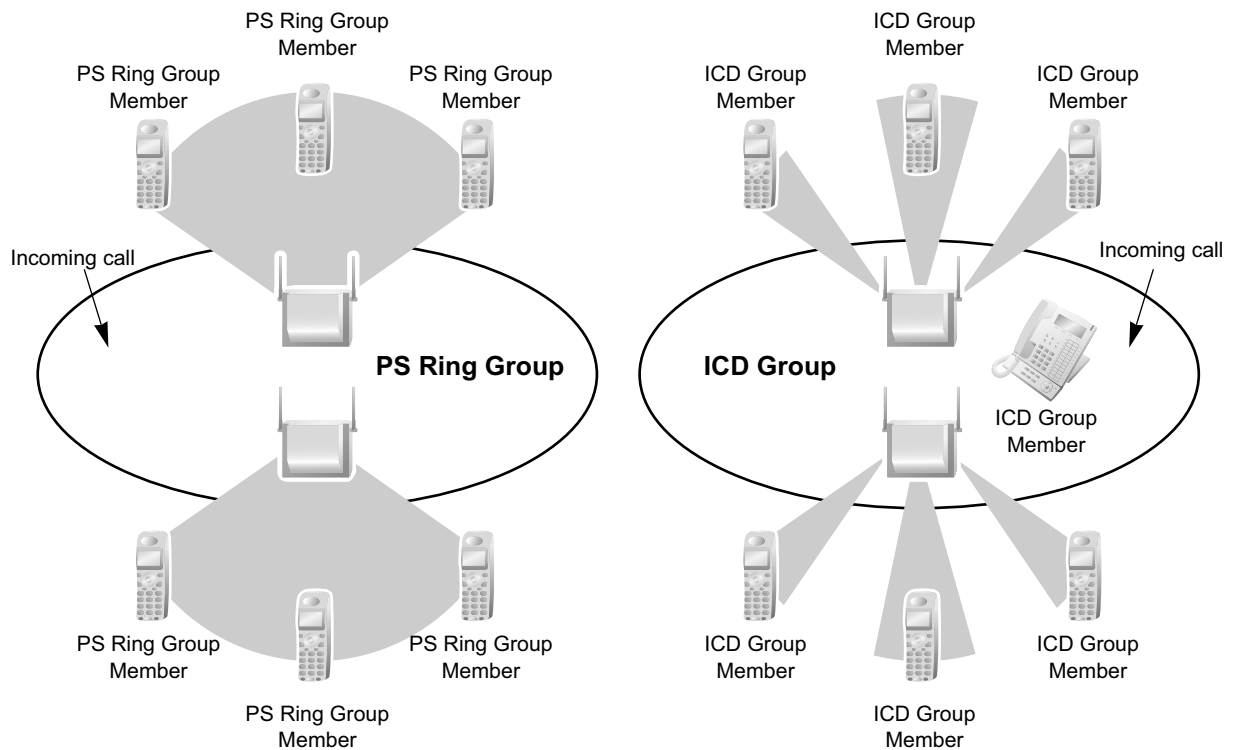
These PSs will ring individually when a call is directed to their assigned extension numbers (programming not shown here).

ICD Groups vs. PS Ring Groups

Assigning PSs to either an ICD group or a PS ring group will allow multiple PSs to receive group calls simultaneously. The differences between the two are highlighted below:

Features	PS Ring Group	ICD Group
Members can ring simultaneously when a call is received	✓	✓
Calls can be distributed to member extensions using different methods		✓
The CS is less likely to be busy; ringing all member PSs uses only one CS channel	✓	
Members can log-in, log-out, and use Wrap-up time, ICD Group button		✓
Both PTs and PSs can belong to the same group		✓
Each member can belong to more than one group	✓	✓
Calls can wait in a queue if they cannot be answered		✓

[Example of CS Channels Used for PS Ring Group Calls and ICD Group Calls]



Explanation:

The PS ring group has six members which are in range of two different CSs. When a call arrives, each CS uses one channel to ring all member PSs within its range.

The ICD group has one proprietary telephone (PT) member, as well as six PS members which are in range of two different CSs. When a call arrives, each CS uses three channels to ring each of the member PSs within its range.

Conditions

- A maximum of 32 PS ring groups can be programmed.

- Each member of a PS ring group must be a PS, but each member does not need to be in range of the same CS. When a call is directed to a PS ring group, all CSs connected to the PBX will try to ring members of the group.
- PS ring groups do not have Log-in or Log-out features. There is no way for a PS to log-in to or log-out from a PS ring group.
- A PS ring group may be assigned as a member of an ICD group, but the PS ring group cannot log-in to or log-out from an ICD group. The PS ring group (and therefore its members) will always be logged-in.
- When a PS is assigned to a PS ring group, the following settings are used if it receives a call directly, but are disregarded when it receives a group call:
 - a. Delayed Ringing (All PSs will ring simultaneously.)
 - b. The incoming call display preference assigned to the PS through system programming.
 - c. Features set on the PS, such as Call Forwarding (FWD). Note, however, that if a PS user has set Do Not Disturb (DND), that PS will not ring for group calls either.
- When a call is directed to a PS ring group, the PBX will try to ring the group's members regardless of whether or not they are already on another call. If all members of a PS ring group are busy when the group is called, their PSs will not ring but the caller will hear a ringback tone.
- A PS ring group will only ring one call at a time on its member PSs. If a PS ring group is ringing one call when another call is directed to the group, the group will appear busy to the caller. If a call is directed to a specific PS within the group in this situation and the PS is available to answer calls, the PS will ring as usual.
- The PBX will ring calls for only two PS ring groups at a time. In other words, if two calls directed to two different PS ring groups are ringing, no other PS ring group calls will ring until one of the other ringing calls is answered.
- If a PS in a PS ring group has set the DND feature for CO line calls, the PS will not ring for CO line calls as well as intercom calls directed to the group.
- **Compatible PSs**
The following PSs can be assigned to PS ring groups:
 - KX-TD7685
 - KX-TD7695
 - KX-TD7696
 - KX-WT125
 - KX-WT126

PC Programming Manual References

- 11.5.1 PBX Configuration—[3-5-1] Group—Incoming Call Distribution Group—Group Settings—Main—◆
Distribution Method
- 11.8 PBX Configuration—[3-8] Group—PS Ring Group
- 11.8.1 PBX Configuration—[3-8] Group—PS Ring Group—Member List

Feature Manual References

- 5.1.11 DND (Do Not Disturb)
- 10.1.1 ICD GROUP FEATURES
- 23.1 Capacity of System Resources

15.1.28 PT Programming

Description

A proprietary telephone (PT) can be used to customize the settings of the PBX or of an extension, using the following programming features:

Programming Type	Description	Example	Authorized Programmer
Personal Programming	Used by an extension user to customize the extension's settings.	PT Display Language, Call Waiting Tone, etc.	Extension user
Manager Programming	Used by an extension assigned as a manager to customize the current state of an extension, or to grant special privileges temporarily to an extension user.	Switching the current time mode, Remote Extension Dial Lock, Remote PIN Clear, etc.	Extension assigned as a manager

Conditions

- Class of Service (COS) programming determines whether personal programming can be performed.
- COS programming determines which extensions are manager extensions and can therefore perform manager programming.
- During programming, the PT is considered to be busy and will not receive calls.
- Only one manager programming session is permitted at a time, i.e., manager programming cannot be performed simultaneously by two users. The maximum number of simultaneous programmers that each PBX supports is as follows:
 - one manager programmer + 63 personal programmers
 - 64 personal programmers
- **Personal Programming Data Reset**
A PT user can return settings made through personal programming (Preferred Line Assignment, Live Call Screening Mode, etc.) to their default settings all at once.

PC Programming Manual References

10.7.1 PBX Configuration—[2-7-1] System—Class of Service—COS Settings—Manager—◆ PT Programming Mode

19.1 PBX Configuration—[11-1] Maintenance—Main—Password—◆ Manager Password - PT Programming—Prog *1

Feature Manual References

4.1.22 COS (Class of Service)

13.1.1 Manager Features

23.1 Capacity of System Resources

Operating Manual References

3.1 Personal Programming

4.1 Manager Programming

Section 16
Features and Configurations—Q

16.1 Q

16.1.1 Quick Dialing

Description

An extension user can make a call or access a feature easily. This is enabled by storing the number (extension number, telephone number, or feature number etc.) for Quick Dialing.

Quick Dialing is convenient in situations such as the following:

- Room service calls in a hotel
- Calling your company's headquarters via the public network. Extension users can think of the Quick Dialing number as an extension number.

[Programming Example: Quick Dialing]

Location No.	Quick Dialing No.	Desired Number
Quick Dialing 01	110	9110 (CO Line Call)
Quick Dialing 02	5	3016 (Room Service)
Quick Dialing 03	2011	90123456789 (Headquarters)

Conditions

- Quick Dialing numbers follow the flexible numbering plan.
(→ 7.1.4 Flexible Numbering/Fixed Numbering)

PC Programming Manual References

10.6.2 PBX Configuration—[2-6-2] System—Numbering Plan—Quick Dial

Feature Manual References

23.1 Capacity of System Resources

Operating Manual References

1.3.58 Quick Dialing

Section 17

Features and Configurations—R

17.1 R

17.1.1 Redial, Last Number

Description

Every extension automatically saves the last external telephone number dialed, allowing the same number to be dialed again.

Outgoing Call Log

Information on outgoing CO line calls is automatically logged at each extension. Users of display PTs can view details of a preset number of recently dialed telephone numbers, and easily call the same outside party again.

Automatic Redial

If Last Number Redial is performed in hands-free mode and the called party is busy, the number will be automatically redialed a preprogrammed number of times.

This feature is available only on certain proprietary telephone (PT) models which have the SP-PHONE button.

Conditions

- Memorized telephone numbers are replaced by new ones.
- Automatic Redial is not available on SIP extensions.
- **Interrupt Redial**
When an outside party or seized CO line is busy, a user can attempt to redial the number by pressing the REDIAL button without going on-hook. This can be performed several times without having to go on-hook.
- **Outgoing Call Log Display by REDIAL Button**
The REDIAL button can be programmed through system programming to display the Outgoing Call Log. This feature is available for display PT users while on-hook.
- If the Outgoing Call Log is used to redial an outside party, or a number already stored in the Outgoing Call Log is manually redialed again, the number will be stored in the call log multiple times. However, calls made using the REDIAL button are not stored in the Outgoing Call Log again.
- It is possible to change the number of records that can be stored at each extension through system programming.
- Automatic Redial is canceled if any dialing operations are performed, an incoming call is answered during Automatic Redial, or the Redial Call No Answer Ring Time is expires.
The Redial Call No Answer Ring time is programmable.
- Automatic Redial is only available for calls that are dialed using a PRI line.

PC Programming Manual References

- 10.3 PBX Configuration—[2-3] System—Timers & Counters—Dial / IRNA / Recall / Tone
 - ♦ Automatic Redial—Repeat Counter
 - ♦ Automatic Redial—Redial Call Ring Duration
- 10.6.1 PBX Configuration—[2-6-1] System—Numbering Plan—Main—Features—♦ Redial
- 10.9 PBX Configuration—[2-9] System—System Options—Option 2
 - ♦ Redial—Automatic Redial when No Answer (ISDN)
 - ♦ Redial—Save Dial After Connection to Redial Memory
 - ♦ Redial—Call Log by Redial key
- 12.1.1 PBX Configuration—[4-1-1] Extension—Wired Extension—Extension Settings—Option 7—♦ Outgoing Call Log Memory
- 12.2.1 PBX Configuration—[4-2-1] Extension—Portable Station—Extension Settings—Option 7—♦ Outgoing Call Log Memory

Feature Manual References

23.1 Capacity of System Resources

Operating Manual References

1.3.59 Redial, Last Number

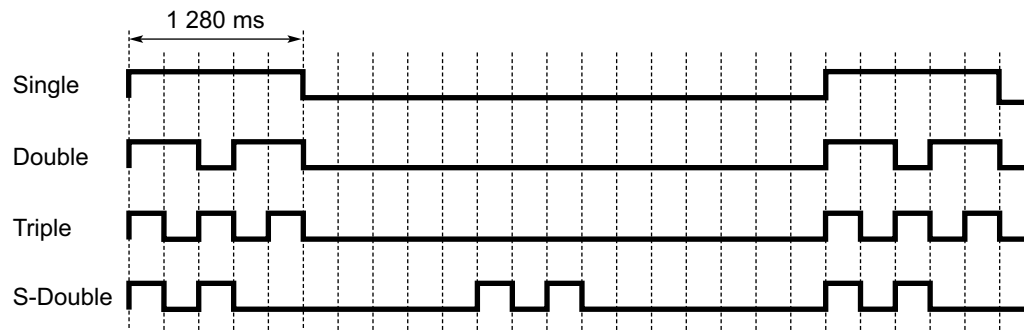
1.4.1 Call Log, Incoming

17.1.2 Ring Tone Pattern Selection

Description

It is possible to select the type of ring tone pattern that arrives at an extension for each type of incoming call, etc.

[Ring Tone Patterns]



* The duration of a ring tone may vary by country/area.

[Ring Tone Pattern Table]

The ring tone pattern table is categorized into three parts, each containing a specified number of pattern plans. The ring tone pattern table is categorized as follows:

- Incoming CO Line Calls: each pattern plan can assign a ring tone pattern for each trunk group.
10.8.1 PBX Configuration—[2-8-1] System—Ring Tone Patterns—Call from CO
- Incoming Doorphone Calls: each pattern plan can assign a ring tone pattern for each doorphone.
10.8.2 PBX Configuration—[2-8-2] System—Ring Tone Patterns—Call from DOORPHONE
- Others: each pattern plan can assign a ring tone pattern for incoming intercom calls as well as ring tones assigned to certain features (e.g., timed reminder).
10.8.3 PBX Configuration—[2-8-3] System—Ring Tone Patterns—Call from Others

The ring tone patterns that arrive at an extension are determined by the pattern plan that is assigned to that extension through system programming.

[Programming Example of Ring Tone Pattern Table]

Table No.	Intercom Call/Hold Recall	CO Line Call/ Hold Recall		Doorphone Call		Timed Reminder	Call Back	LCS	External Sensor
		TRG1	...	Port 1	...				
1	Double	Single		Single					
2	Single	Double		Double					

Table No.	Intercom Call/Hold Recall	CO Line Call/ Hold Recall		Doorphone Call		Timed Reminder	Call Back	LCS	External Sensor
		TRG1	...	Port 1	...				
:	:	:	:	:	:	:	:	:	:

Conditions

- "PT Ring Off Setting" can be enabled or disabled through system programming. If disabled, PT users cannot turn incoming call ringing off for their extension.
- For the S-CO, G-CO, L-CO, ICD Group, INTERCOM, PDN and SDN buttons, one of 30 ring tones can be assigned through personal programming.
- On extensions using KX-UT series SIP phones, only the TRG1 setting for CO line Call/Hold Recall is valid.

PC Programming Manual References

- 10.8.1 PBX Configuration—[2-8-1] System—Ring Tone Patterns—Call from CO—◆ Ring Tone Pattern Plan 1–8
- 10.8.2 PBX Configuration—[2-8-2] System—Ring Tone Patterns—Call from DOORPHONE—◆ Ring Tone Pattern Plan 1–8
- 10.8.3 PBX Configuration—[2-8-3] System—Ring Tone Patterns—Call from Others—◆ Extension—Ring Tone Pattern Plan 1–8
- 10.9 PBX Configuration—[2-9] System—System Options—Option 1—◆ PT Operation—PT Ring Off Setting
- 12.1.1 PBX Configuration—[4-1-1] Extension—Wired Extension—Extension Settings
 - Option 1—◆ Ring Pattern Table
 - Option 6—◆ ICM Tone
- 12.1.4 PBX Configuration—[4-1-4] Extension—Wired Extension—Flexible Button—◆ Optional Parameter (Ringing Tone Type Number) (for Loop CO, Single CO, Group CO, ICD Group, SDN)
- 12.2.1 PBX Configuration—[4-2-1] Extension—Portable Station—Extension Settings—Option 1—◆ Ring Pattern Table

Feature Manual References

- 23.1 Capacity of System Resources

Operating Manual References

- 3.1.4 Customizing the Buttons

17.1.3 Room Status Control

Description

A proprietary telephone (PT) with a 6-line display designated as the hotel operator extension can be used to view and set the Check-in/Check-out/Cleaned-up (Ready or Not Ready) status of guest rooms associated with extensions.

Any wired extension can be used as a room extension without special programming.

Flexible buttons on the hotel operator’s extension can be set as Room Status Control buttons. The 3 types of Room Status Control buttons are as follows:

- **Check-in**

Switches the status of selected room extensions from Check-out to Check-in.

Remote Extension Dial Lock is turned off, allowing calls to be made from the extension.

- **Check-out**

Switches the status of selected room extensions from Check-in to Check-out.

Room extension data, such as Timed Reminder or Last Number Redial data, is cleared, and Remote Extension Dial Lock is turned on, restricting some calls. This can be useful to prevent the room extension from being used when no guest is checked in.

- **Cleaned-up**

Switches the status of selected room extensions between Ready and Not Ready.

When a guest checks out of a room, the room status becomes Checked-out and Not Ready. After the room has been cleaned, the status can be changed to Checked-out and Ready using this button. It is also possible to change the status back to Checked-out and Not Ready if necessary.

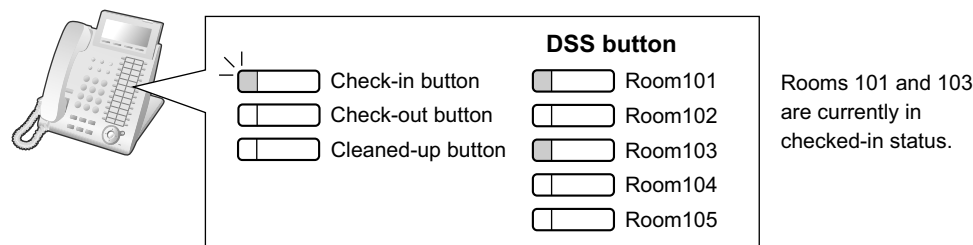
Room Status Control Mode

Pressing a Room Status Control button when the PT is idle allows the hotel operator extension to enter Room Status Control mode. When in Room Status Control mode, the corresponding Room Status Control button's light flashes red. The Room Status Control button that was pressed determines which room status each room extension can be switched to. For example, if the Check-in button was pressed, the Check-in button's light flashes red and the hotel operator can select which room extensions to check-in.

In addition, DSS buttons on the hotel operator's extension or a paired DSS Console show the room status of each extension as follows:

Light Pattern	Status
Off	Checked-out and Ready
Flashing Red	Checked-out and Not Ready
Red on	Checked-in

[Example Use: Checked-in Mode]



When in Room Status Control mode, the hotel operator's extension is treated as a busy extension, similar to when performing PT programming. Callers to that extension will hear a busy tone.

All other operations, including pressing other Room Status Control buttons, will be ignored. In addition, the lights of fixed and flexible buttons do not show their normal display pattern. In order to perform other operations, the hotel operator must exit Room Status Control mode.

Conditions

- Messages left on the extension's Voice Mail (VM) will be cleared at Check-out.

17.1.3 Room Status Control

- A maximum of four hotel operators can be assigned.
- Only one of each type of Room Status Control button can be assigned.
- Extensions associated with rooms must be one of the following types:
PT, KX-UT SIP, general SIP, SLT, T1-OPX
PSs cannot be checked in and out as room extensions.
- When using extensions to represent guest rooms, it is recommended to set the extension number of a room extension is the same as the room number, for convenience.
- If enabled through system programming, check-in and check-out information is recorded by SMDR.

PC Programming Manual References

12.1.4 PBX Configuration—[4-1-4] Extension—Wired Extension—Flexible Button

14.2 PBX Configuration—[6-2] Feature—Hotel—Main—◆ Hotel Operator—Extension 1–4

Feature Manual References

6.1.6 Extension Dial Lock

17.1.1 Redial, Last Number

18.1.4 SMDR (Station Message Detail Recording)

19.1.4 Timed Reminder

Operating Manual References

1.3.60 Room Status Control

Section 18

Features and Configurations—S

18.1 S

18.1.1 Simple Remote Connection

Description

KX-UT SIP phones and general SIP phones support simple remote connectivity when the KX-NS1000 is networked with an SBC (session border controller). Simple remote connectivity means that even if the SIP phone is located behind a NAT router, firewall, or both, specialized settings such as NAT traversal settings do not need to be configured for each remote extension.

There are 2 scenarios for configuring and connecting a SIP phone:

- a. The SIP phone is connected and registered to the PBX on the PBX's local network. The necessary settings are configured automatically by the PBX.
- b. The remote IP settings of the SIP phone are configured without first connecting the phone to the PBX. Once programmed, the SIP phone is sent to the remote location, connected to the network and will automatically connect to the PBX.

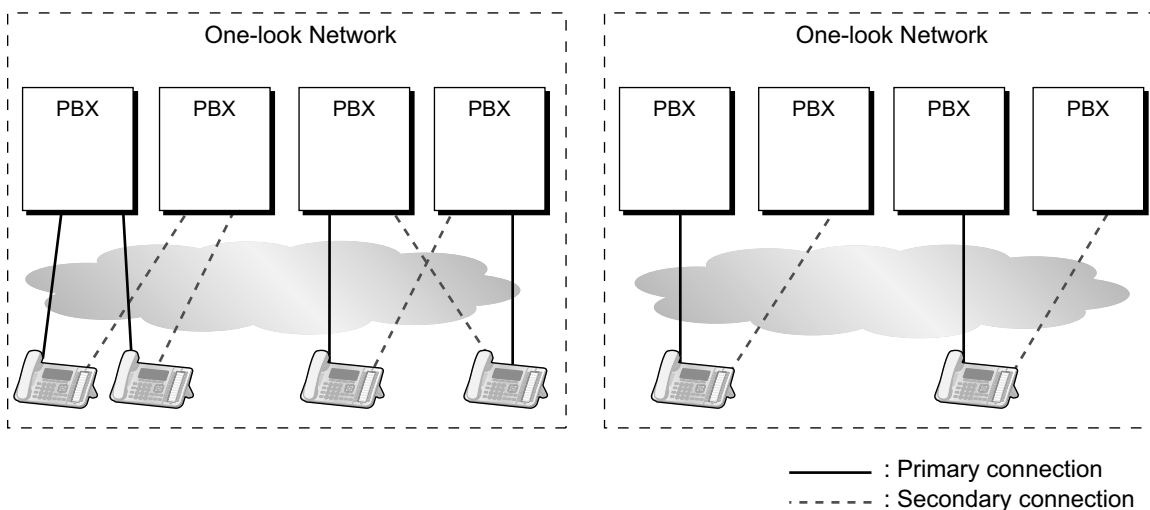
Conditions

- Extensions that will be configured remotely use HTTPS for transferring the configuration file. However, a maximum of 20 extensions per site can be connected in this way.
- The following types of settings must be configured on the PBX:
 - The remote setting for the SIP phone's port
 - The outside-facing IP address and port of the PBX-side network gateway
 - The necessary NAT traversal settings for the NAT device at the remote location
- The following types of setting must be configured on the PBX-side network gateway:
 - Static port forwarding settings for traversing the SBC (SIP, TR-069, RTP, and NTP)
- General SIP phones must support early media.

[Automatic Rerouting to Secondary PBX]

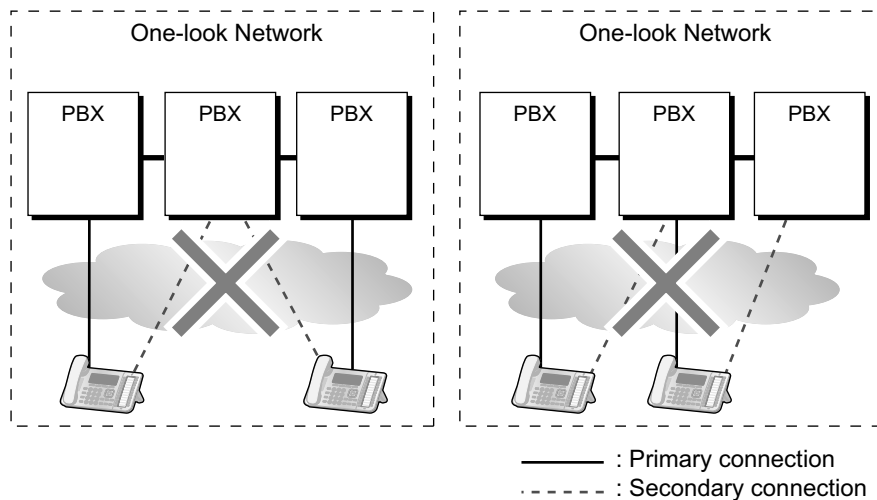
- For any group of remote extensions, the primary and secondary PBX connections must be kept between 2 sites in a One-look network.

Examples of allowed connections



- The primary and secondary PBX connections of a group of remote extensions cannot span 3 or more sites in a One-look network.

Examples of non-allowed connections



Installation Manual References

5.9.3 Installing SIP Phones at a Remote Site

PC Programming Manual References

9.5.1 PBX Configuration—[1-1] Configuration—Slot—Site Property—Main—SIP Extension

- ◆ Setting parameters assigned to Remote SIP-MLT—NAT - CWMP Server IP Address
- ◆ Setting parameters assigned to Remote SIP-MLT—NAT - CWMP Server (HTTP) Port No.
- ◆ Setting parameters assigned to Remote SIP-MLT—NAT - CWMP Server (HTTPS) Port No.
- ◆ Setting parameters assigned to Remote SIP-MLT—NAT - SIP-MLT Data Download Server (HTTP) Port No.
- ◆ Setting parameters assigned to Remote SIP-MLT—NAT - SIP-MLT Data Download Server (HTTPS) Port No.
- ◆ Setting parameters assigned to Remote SIP-MLT—NAT - SIP Proxy Server IP Address
- ◆ Setting parameters assigned to Remote SIP-MLT—NAT - SIP Proxy Server Port No.
- ◆ Setting parameters assigned to Remote SIP-MLT—NAT - NTP Server IP Address
- ◆ Setting parameters assigned to Remote SIP-MLT—NAT - NTP Server Port No.
- ◆ Setting parameters assigned to Remote SIP-MLT—NAT - Keep Alive Packet Type
- ◆ Setting parameters assigned to Remote SIP-MLT—NAT - Keep Alive Packet Sending Interval Time (s)
- ◆ Setting parameters assigned to Remote SIP-MLT—NAT - SIP Register Expire Time (s)
- ◆ Setting parameters for Networking Survivability, assigned to Remote SIP-MLT—NAT - CWMP Server IP Address
- ◆ Setting parameters for Networking Survivability, assigned to Remote SIP-MLT—NAT - CWMP Server (HTTP) Port No.
- ◆ Setting parameters for Networking Survivability, assigned to Remote SIP-MLT—NAT - CWMP Server (HTTPS) Port No.
- ◆ Control Condition of Remote SIP-MLT—PERIODIC Ability
- ◆ Control Condition of Remote SIP-MLT—PERIODIC Packet Sending Interval Time (s)

9.21 PBX Configuration—[1-1] Configuration—Slot—V-UTEXT32—Port Property—Remote Place

Feature Manual References

2.1.7 Automatic Rerouting to Secondary PBX

18.1.2 SIP (Session Initiation Protocol) Extension

Description

This PBX supports the connection of SIP supported IP telephones (hardphones and softphones). SIP extensions make and receive calls using Internet Protocol (IP).

For information about SIP extension compatibility with feature numbers, see 7.1.4 Flexible Numbering/Fixed Numbering.

For information about Panasonic KX-UT series SIP phones, see 11.1.1 KX-UT Series SIP Phones.

Below are the features supported by SIP extensions:

- Absent Message (→ 2.1.1 Absent Message)
- Account Code Entry (→ 2.1.2 Account Code Entry)
- Automatic Route Selection (ARS) (→ 2.1.3 ARS (Automatic Route Selection))
- Call Forwarding (FWD) (→ 7.1.6 FWD (Call Forwarding))
- Call Hold (→ 4.1.4 Call Hold)
- Call Park¹ (→ 4.1.7 Call Park)
- Call Pickup (→ 4.1.8 Call Pickup)
- Call Transfer with Announcement (→ 4.1.10 Call Transfer)
- Call Waiting Tone (→ 4.1.12 Call Waiting Tone)
- COLR/CLIR/CLIP/COLP (→ 4.1.15 CLIP (Calling Line Identification Presentation))
- Conference² (→ 4.1.18 Conference)
- Conference Group Call² (→ 4.1.19 Conference Group Call)
- Data Line Security (→ 5.1.1 Data Line Security)
- Dial Information (CTI) (→ 4.1.24 CTI (Computer Telephony Integration))
- Direct Inward System Access (DISA) (→ 5.1.9 DISA (Direct Inward System Access))
- Door Open (→ 5.1.12 Door Open)
- Doorphone Call (→ 5.1.13 Doorphone Call)
- Emergency Call (→ 6.1.4 Emergency Call)
- Executive Busy Override Deny (→ 6.1.5 Executive Busy Override)
- Extension Dial Lock (→ 6.1.6 Extension Dial Lock)
- Extension Feature Clear (→ 6.1.7 Extension Feature Clear)
- Extension PIN (→ 6.1.8 Extension PIN (Personal Identification Number))
- External BGM On/Off (→ 3.1.2 BGM (Background Music))
- FWD/DND (→ 5.1.11 DND (Do Not Disturb), → 7.1.6 FWD (Call Forwarding))
- Group FWD (→ 7.1.6 FWD (Call Forwarding))
- Idle Line Access (→ 4.1.16 CO Line Access)
- Log-in/Log-out (→ 10.1.3 ICD Group Features—Log-in/Log-out)
- Message Waiting (→ 13.1.3 Message Waiting)
- Not Ready (→ 10.1.3 ICD Group Features—Log-in/Log-out)
- Operator Call (→ 14.1.8 Operator Features)
- Paging (→ 15.1.1 Paging)
- Personal Speed Dialing (→ 18.1.7 Speed Dialing, Personal)
- Quick Dialing (→ 16.1.1 Quick Dialing)
- Redial (→ 17.1.1 Redial, Last Number)
- Remote Station Lock (→ 6.1.6 Extension Dial Lock)
- S-CO Line Access (→ 4.1.16 CO Line Access)
- System Speed Dialing (→ 18.1.8 Speed Dialing, System)

- TIE Line Call (→ 15.1.12 PRIVATE NETWORK FEATURES)
- Time Service (→ 19.1.3 Time Service)
- Trunk Group Access (→ 4.1.16 CO Line Access)
- Verification Code (→ 21.1.1 Verification Code Entry)

^{*1} SIP extensions can retrieve parked calls but cannot park calls.

^{*2} As a member only (not as originator).

SIP Video Phone

Video phone calls can be established between SIP extensions with video phone capabilities.

Conditions

[General]

- This PBX supports SIP devices that use RFC 3261, 3264, 3310, 2327, or 4028.
- Some SIP phones may not be compatible with this PBX.
- Before a SIP extension can be used with the PBX, the IP address of the mother board, password, and extension number must be assigned on the SIP extension and on the PBX. Even if the IP terminal registration mode has been set to full automatic mode or extension input mode, general SIP extensions must be registered manually.
For details on how to register, refer to the Installation Manual.
- When registering the SIP extension, the user ID must be the extension number of the SIP extension.
- When a SIP extension uses the Call Hold feature, the target call is put on Consultation Hold.

• DSP Resource Usage

Making a call from a SIP extension requires a certain number of DSP resources, depending on the codec used. If all DSP resources are in use, this operation cannot be performed. To ensure a minimum level of performance, DSP resources can be reserved for VoIP communication. (→ 5.1.16 DSP Resource Usage)

However, DSP resources are not required for P2P calls. (→ 15.1.5 Peer-to-Peer (P2P) Connection)

[SIP Video Phone]

- When making a SIP video phone call, call features such as Call Transfer are not available.

Installation Manual References

4.4 Virtual Cards

PC Programming Manual References

9.16 PBX Configuration—[1-1] Configuration—Slot—V-SIPEXT32—Card Property

9.17 PBX Configuration—[1-1] Configuration—Slot—V-SIPEXT32—Port Property

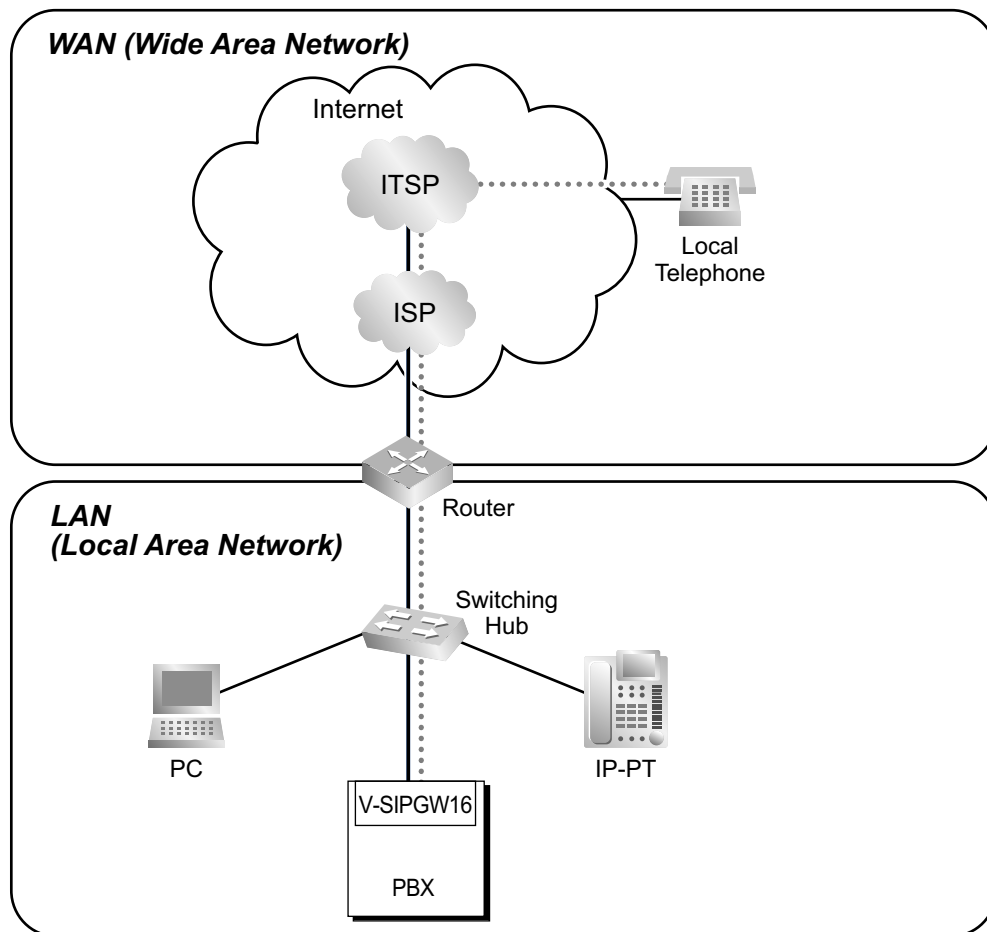
18.1.3 SIP (Session Initiation Protocol) CO Line

Description

Through a V-SIPGW card, the PBX can connect to an Internet telephony service provided by an ITSP (Internet Telephony Service Provider).

An ITSP provides its telephony service partly through the conventional telephone network (e.g., ISDN and Mobile), which is fee-based. An ISP (Internet Service Provider), which can also act as a SIP provider, does not provide the telephone connection itself. However, providing its users with Internet access, an ISP provides

voice communication on the Internet for free. In this way, with VoIP technology based on the SIP protocol, the cost of voice communication can be much cheaper than conventional telephone networks.



Conditions

- A subscription with an ISP is required for an Internet connection.
- A subscription with an ITSP is required for a telephone connection. The ISP and ITSP may be part of the same company.

Installation Manual References

- 4.4 Virtual Cards
- 8.3 SIP CO Lines

PC Programming Manual References

- 9.9 PBX Configuration—[1-1] Configuration—Slot—V-SIPGW—Shelf Property
- 9.11 PBX Configuration—[1-1] Configuration—Slot—V-SIPGW—Port Property

18.1.4 SMDR (Station Message Detail Recording)

Description

Automatically logs detailed information for each extension.

1. SMDR Output Port

The following output methods can be selected through system programming:

19.1 PBX Configuration—[11-1] Maintenance—Main—SMDR—◆ SMDR Format—Port

Output Method	Description
Serial Interface (RS-232C) port	SMDR information is sent to a connected PC, printer, etc.
Telnet compatible terminal emulator	SMDR information is sent to a Telnet compatible terminal emulator via LAN.

2. SMDR Output Data

The following data can be recorded and sent to the SMDR output port:

- a. CO line call information (incoming/outgoing)
- b. Intercom call information (outgoing)
- c. Log-in/Log-out information
- d. PBX error log (→ 12.1.4 Local Alarm Information)
- e. Hospitality feature information (→ 9.1.4 HOSPITALITY FEATURES)
- f. Printing Message information (→ 15.1.10 Printing Message)

Memory for SMDR: A specified number of records (data) can be remembered by the PBX. When memory is full, the oldest data is overwritten by new data.

3. SMDR Format Type and Contents

The following three types of output format can be selected through system programming:

Pattern A: 80-column text without call charge information

Date (8 digits)	Time (7)	Ext (5)	CO (2)	Dial Number (25)	Ring (4)	Duration (8)	ACC Code (10)	CD (3)
01/02/02	10:03AM	1200	01	<I>12345678901234567890	5'15	00:00'00		NA
01/02/02	10:07AM	1200	01	<I>	0'05	00:01'05	9876543210	
01/02/02	10:15AM	1200	01	1234567890123456		00:01'05	9876543210	TR
01/02/02	10:30AM	*123	01	1234567890123456		00:01'05	9876543210	

01/02/02	01:07PM	1234	01	<I>ABC COMPANY12345678	0'05	00:01'05	9876543210	
01/02/02	01:07PM	1234	01	<D>CDE9876<I>Q COMPANY	0'05	00:01'05	9876543210	
01/02/02	01:07PM	1234	01	ABC COMPANY12345678		00:01'05		
01/02/02	01:07PM	1234	01	123.....		00:01'05		
01/02/02	01:07PM	1234	01	123456XX		00:12'05	98765	
01/02/02	08:33AM	1234		In the office				
01/02/02	01:07PM	1234		LOG IN				
01/02/02	03:35PM	1234		LOG OUT				
01/02/02	03:45PM	1234		EXT1235				
01/02/02	03:50PM	1234		Check in				
01/02/02	03:55PM	1234		Check out				
01/02/02	04:00PM	1234		Timed Reminder/Start				
01/02/02	04:01PM	1234		Timed Reminder/No Answer				
01/02/02	04:01PM	1234		Timed Reminder/Answer				
01/02/02	04:05PM	1234		<I>S003				RC
⋮	⋮	⋮	⋮	⋮	⋮	⋮	⋮	⋮
(1)	(2)	(3)	(4)	(5)	(6)	(7)	(8)	(9)

Pattern B: 80-column text with call charge information

Date (8 digits)	Time (7)	Ext (5)	CO (2)	Dial Number (20)	Duration (8)	Cost (8+2)	ACC Code (10)	CD (3)
01/02/02	10:03AM	1210	01	<I>				NA
01/02/02	10:07AM	2005	01	1234567890123456789	00:00'05	00560.00EU	9876543210	
⋮	⋮	⋮	⋮	⋮	⋮	⋮	⋮	⋮
(1)	(2)	(3)	(4)	(5)	(7)	(10)	(8)	(9)

120 column text

Date (8 digits)	Time (7)	Ext (5)	CO (4)	Dial Number (50)	Ring (4)	Duration (8)	Cost (8+3)	ACC Code (10)	CD (3)
01/02/02	10:03AM	1230	0001	123456789012345678901234567890		00:00'05	00560.00EUR	9876543210	TR
01/02/02	10:07AM	1230	0001	<I>ABC COMPANY123456789012345	0'05	00:00'05		9876543210	TR
⋮	⋮	⋮	⋮	⋮	⋮	⋮	⋮	⋮	⋮
(1)	(2)	(3)	(4)	(5)	(6)	(7)	(10)	(8)	(9)

[Explanation]

The following table explains the types of data logged by SMDR. Each description below refers to data indicated above by the numbers in the parentheses.

Number in the Pattern	Data	Description
(1)	Date	Shows the date of the call.
(2)	Time	Shows the end time of a call as hour/minute/AM or PM.
(3)	Ext (Extension)	Shows the extension number, floating extension number, etc., which was engaged in the call. Also shows the following codes: Dxxx : Outgoing CO line call from a doorphone (xxx=doorphone number) (→ 5.1.13 Doorphone Call) Txxx : Outgoing CO line call by TIE line service (xxx=trunk group number) *xxx : Verified call (xxx=verification code) (→ 21.1.1 Verification Code Entry)
(4)	CO	Shows the CO line number used for the call. For patterns A and B, "00" will be shown for CO line numbers over hundred.

Number in the Pattern	Data	Description
(5)	Dial Number	<p>[CO Line Call] Outgoing CO Line Call Shows the dialed telephone number. Digits shown are as follows: 0 through 9, *, # P: Pause F: External Feature Access (EFA) signal =: Host PBX Access code (→ 9.1.5 Host PBX Access Code (Access Code to the Telephone Company from a Host PBX)) . (dot): Secret dialing</p> <p>-: Transferred call If the transfer destination extension enters additional digits, those digits will be added after "-".</p> <p>Incoming CO Line Call Shows <I> + the caller's identification name/number. It is also possible to show the DID call information. In this case, <D> + DID name/number is added before <I>.</p> <p>[Outgoing Intercom Call] Shows the dialed extension number followed by "EXT".</p> <p>[Log-in/Log-out] Shows the Log-in or Log-out status.</p> <p>[Check-in/Check-out] Shows the check-in or check-out status. (→ 17.1.3 Room Status Control)</p> <p>[Timed Reminder] Shows the status of a timed reminder, either "Start", "No Answer", or "Answer". (→ 19.1.4 Timed Reminder)</p> <p>[Printing Message] Shows the selected message. (→ 15.1.10 Printing Message)</p> <p>[Sensor Call] Shows calls from an external sensor as follows: <I> S + sensor number. (→ 6.1.10 External Sensor)</p>
(6)	Ring	Shows the ring duration before the call was answered in minutes/seconds.
(7)	Duration	Shows the duration of the CO line call in hours/minutes/seconds.
(8)	Acc Code (Account Code)	Shows the account code appended to the call. (→ 2.1.2 Account Code Entry)

Number in the Pattern	Data	Description
(9)	CD (Condition Code)	Shows other call information using the following codes: TR: Transfer FW: Call Forwarding (FWD) to CO line D0: Call using Direct Inward System Access (DISA) or TIE line service NA: Not answered call RC: Received call AN: Answered call VR: Received call with Call Waiting Caller ID (Visual Caller ID) VA: Answered call with Call Waiting Caller ID (Visual Caller ID)
(10)	Cost	Shows the call charge. This is not available if your telephone company does not provide a call charge reporting service.

The following data can be controlled through system programming to adjust whether (or how) they are printed or displayed by SMDR.

[Programmable Items]

Item	Description
Outgoing CO line call	Controls whether outgoing CO line calls are shown. This setting is common throughout the PBX. COS programming is also required. → 19.1 PBX Configuration—[11-1] Maintenance—Main—SMDR—◆ Print Information—Outgoing Call
Incoming CO line call	Controls whether incoming CO line calls are shown. → 19.1 PBX Configuration—[11-1] Maintenance—Main—SMDR—◆ Print Information—Incoming Call
Outgoing intercom call	Controls whether outgoing intercom calls are recorded. → 19.1 PBX Configuration—[11-1] Maintenance—Main—SMDR—◆ Print Information—Intercom Call
Log-in/Log-out status	Controls whether the Log-in/Log-out status of extensions is recorded. → 19.1 PBX Configuration—[11-1] Maintenance—Main—SMDR—◆ Print Information—Log-in / Log-out
ARS dial	Controls whether the user-dialed number or the ARS-modified number is shown. The Host PBX Access code ("=" followed by the access code) can be shown (as supplementary information) only when the modified number is selected in this setting. (→ 2.1.3 ARS (Automatic Route Selection)) → 19.1 PBX Configuration—[11-1] Maintenance—Main—SMDR Options—◆ Option—ARS Dial

Item	Description
Caller's identification	Controls whether the caller's identification number, name, number and name, or nothing is shown. If "none" is selected, <I> will not be shown. → 19.1 PBX Configuration—[11-1] Maintenance—Main—SMDR Options—◆ Option—Caller ID Number & Name
DID number	Controls whether the DID numbers, names, numbers and names, or nothing is shown. If "none" is selected, <D> will not be shown. → 19.1 PBX Configuration—[11-1] Maintenance—Main—SMDR Options—◆ Option—DDI/DID Number & Name
Secret dialing	Controls the display of secret dialing, when ARS dial above, is set to show ARS-modified numbers. If enabled, numbers dialed secretly will be shown as dots. If ARS dial is set to show the user-dialed numbers, secretly dialed numbers are always shown as dots in SMDR, regardless of this setting. → 19.1 PBX Configuration—[11-1] Maintenance—Main—SMDR Options—◆ Option—Secret Dial
Date order	Controls the date format (MM-DD-YY, DD-MM-YY, YY-MM-DD, YY-DD-MM) → 19.1 PBX Configuration—[11-1] Maintenance—Main—SMDR—◆ SMDR Format—Date Format
Received call	Controls whether the time of receiving an incoming CO line call is shown. → 19.1 PBX Configuration—[11-1] Maintenance—Main—SMDR Options—◆ Option—Condition Code "RC"
Answered call	Controls whether the time of answering an incoming CO line call is shown. → 19.1 PBX Configuration—[11-1] Maintenance—Main—SMDR Options—◆ Option—Condition Code "AN"
Room status	Controls whether room status changes are shown. → 14.2 PBX Configuration—[6-2] Feature—Hotel—Main—◆ SMDR for External Hotel Application 1—Room Status Control
Timed Reminder call	Controls whether Timed Reminder calls are shown (→ 19.1.4 Timed Reminder). → 14.2 PBX Configuration—[6-2] Feature—Hotel—Main—◆ SMDR for External Hotel Application 1—Timed Reminder (Wake-up Call)
Printing Message	Specifies the messages that can be selected from an extension (→ 15.1.10 Printing Message). → 14.2 PBX Configuration—[6-2] Feature—Hotel—Main—◆ SMDR for External Hotel Application 2—Printing Message 1–8
Time format	Controls whether time is displayed in 12-hour or 24-hour format. → 19.1 PBX Configuration—[11-1] Maintenance—Main—SMDR—◆ SMDR Format—Time Format (12H / 24H)

Conditions

[General]

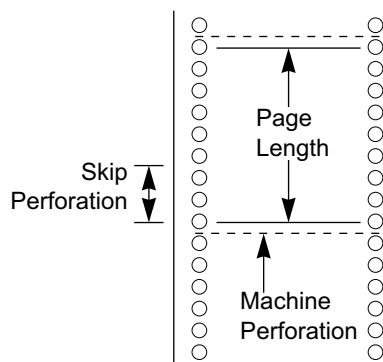
- **SMDR Format**

The following SMDR format parameters can be set through system programming in order to match the paper size being used by the printer:

- Page Length:** determines the number of lines per page.
→ 19.1 PBX Configuration—[11-1] Maintenance—Main—SMDR—◆ SMDR Format—Page Length (Number of Lines)
- Skip Perforation:** determines the number of lines to be skipped at the end of every page.
→ 19.1 PBX Configuration—[11-1] Maintenance—Main—SMDR—◆ SMDR Format—Blank Footer Length (Number of Lines)

The page length should be at least four lines longer than the skip perforation length.

Explanation:



- SMDR data is not deleted even if the PBX is reset.
- If the PBX is reset during a conversation, the call will not be logged by SMDR.
- The following calls are regarded as two separated calls in the SMDR:
 - Calls before and after the flash/recall/EFA signal is manually sent during a conversation
 - CO-to-CO line calls by Call Transfer, FWD or DISA (each is logged as both an "incoming call" and an "outgoing call")
 - Incoming calls to a PDN or SDN extension.
- The PBX waits for a preprogrammed time period after the end of dialing before starting the SMDR timer for outgoing CO line calls. When the PBX has sent out all dialed digits to the telephone company and this timer expires, the PBX begins measuring the duration of the call. A display proprietary telephone (PT) shows the elapsed time of the call. The starting time and the total duration of the call are logged by SMDR.
→ 10.3 PBX Configuration—[2-3] System—Timers & Counters—Dial / IRNA / Recall / Tone—◆ Dial—Analogue CO Call Duration Start
- **Serial Interface (RS-232C) Parameters**
The following communication parameters can be assigned for the Serial Interface (RS-232C port).
 - New Line Code:** Select the code appropriate for the PC or printer. If the PC or printer automatically feeds lines with carriage return, select "CR." If not, select "CR+LF."
 - Baud Rate:** Baud rate indicates the transmission speed of data from the PBX to the PC or printer.
→ 19.1 PBX Configuration—[11-1] Maintenance—Main—RS-232C—◆ Communication—Baud Rate
 - Word Length:** Word length indicates how many bits compose each character.
→ 19.1 PBX Configuration—[11-1] Maintenance—Main—RS-232C—◆ Communication—Word Length
 - Parity Bit:** Parity bit indicates what type of parity is used to detect errors in the string of bits composing a character. Make an appropriate selection depending on the requirements of the PC or printer.
→ 19.1 PBX Configuration—[11-1] Maintenance—Main—RS-232C—◆ Communication—Parity Bit

- e. **Stop Bit Length:** Stop bit indicates the end of a bit string which composes a character. Select an appropriate value depending on the requirements of the PC or printer.
→ 19.1 PBX Configuration—[11-1] Maintenance—Main—RS-232C—◆ Communication—Stop Bit
- If a call is transferred to an ICD group using Automatic Transfer, the condition code "TR" will not be recorded on SMDR (→ 4.1.10 Call Transfer).

[Host PBX Access Code]

- The dialed number including the Host PBX Access code will be recorded on SMDR only if the modified number setting is selected in the ARS setting for SMDR.
- When a Host PBX Access code is assigned to a trunk group, calls to extensions of the host PBX are not recorded on SMDR.
- A Host PBX Access Code can be used to record only long distance calls on SMDR when a CO line port is connected directly to the telephone company (not a host PBX). This is allowed when the long distance code (e.g., "0") is assigned as the Host PBX Access code. All local calls (e.g., calls that do not require a "0" to be dialed first) are treated as extensions of the telephone company and do not get recorded on SMDR, because in this case this PBX recognizes the telephone company as the host PBX. Therefore, only long distance calls are recorded on SMDR.

[Output to a Telnet compatible Terminal Emulator]

- In order to activate a connection to a terminal emulator, the IP address of the mother board, port number, user ID ("SMDR"), and password must be entered.
- If a terminal emulator user incorrectly enters the user ID or password 3 times consecutively, an alarm will be sent and connection will not be possible for 10 minutes.
- Through system programming, it is possible to assign the PBX port number and password.
- The terminal emulator application must be running constantly. If the application is terminated, call records that occur after the termination will be recorded in the PBX's memory. However, if the number of call records exceeds the PBX's capacity, older records will be deleted. Also, when the application restarts or is reconnected, duplicated call records may be output.

[Using SMDR with applications]

- SMDR data can also be monitored by applications such as Panasonic CA Call Accounting. For more information, see your application's documentation.

Installation Manual References

4.10 Connection of Peripherals

PC Programming Manual References

10.3 PBX Configuration—[2-3] System—Timers & Counters—Dial / IRNA / Recall / Tone—◆ Dial—Analogue CO Call Duration Start

10.7.1 PBX Configuration—[2-7-1] System—Class of Service—COS Settings—CO & SMDR—◆ Outgoing CO Call Printout (SMDR)

14.2 PBX Configuration—[6-2] Feature—Hotel—Main—◆ SMDR for External Hotel Application 2—Printing Message 1–8

19.1 PBX Configuration—[11-1] Maintenance—Main

→SMDR

→SMDR Options

→RS-232C

Feature Manual References

- 4.1.10 Call Transfer
- 4.1.22 COS (Class of Service)
- 5.1.7 DID (Direct Inward Dialing)
- 5.1.9 DISA (Direct Inward System Access)
- 9.1.5 Host PBX Access Code (Access Code to the Telephone Company from a Host PBX)
- 10.1.3 ICD Group Features—Log-in/Log-out
- 15.1.12 PRIVATE NETWORK FEATURES
- 23.1 Capacity of System Resources

18.1.5 SNMP (Simple Network Management Protocol) System Monitor

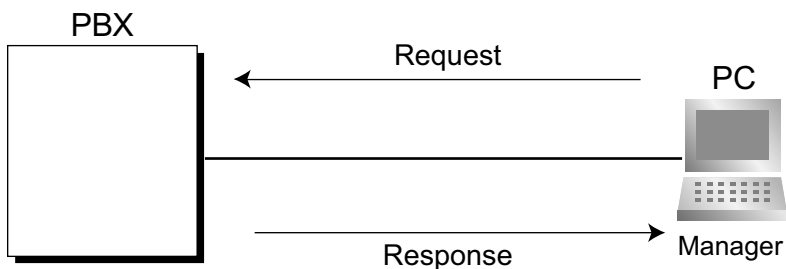
Description

It is possible for a PC assigned as an SNMP manager to manage and receive PBX system status information, such as alarm information and general system activity using SNMP. Management Information Bases (MIBs) are sent to a PC (i.e., the SNMP manager) connected to the PBX over a LAN and can then be stored and analyzed using SNMP manager software.

The two features for managing information using SNMP are as follows:

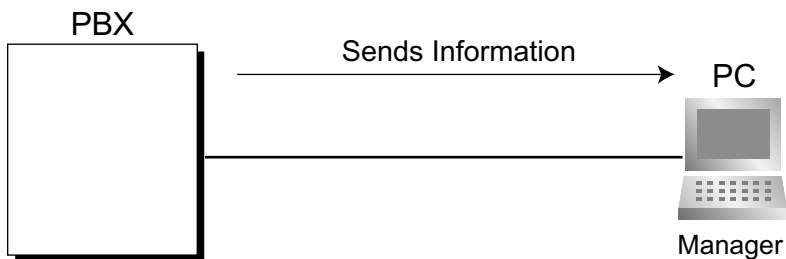
– **Polling:**

A bilateral transaction of information. Polling allows the manager to request information from the PBX.



– **TRAP:**

An automatic relay of information from the PBX when a status change occurs or an alarm is detected.



TRAP Implementation

The PBX will send the two types of TRAP as follows:

Type	TRAP Name	Description
Standard TRAP	coldStart	Information is sent after turning on the power of the PBX or resetting the PBX.
	Authentication Failure	Information is sent when an unregistered Community Name and/or Manager IP address is entered.
Enterprise Specific TRAP ^{*1}	Major Alarm	Information is sent when a major alarm is detected.
	Minor Alarm	Information is sent when a minor alarm is detected.

*1 Enterprise Specific TRAPs contain information exclusive to the PBX model (Enterprise Specific MIB).

Conditions

- Through system programming, it is possible to enable or disable this feature.
- Up to 2 SNMP managers can be assigned.
- This PBX supports SNMP Protocol Version 1.0 and SNMP Version 1.0-TRAP.
- This PBX can only receive read-only MIBs. Write MIBs are not supported.
- This PBX supports MIB II.
- For more information regarding major and minor alarms, refer to the Installation Manual.
- For a list of the MIB object groups supported by this PBX, refer to 23.4 Supported Management Information Base (MIB) Table in the Appendix.
- Through system programming, it is possible to select whether each type of TRAP (e.g., ColdStart) is sent to the SNMP manager or not.

Installation Manual References

7.1.6 Troubleshooting by Error Log

PC Programming Manual References

27.3.3 Network Service—[3-3] Client Feature—SNMP Agent

Feature Manual References

12.1.4 Local Alarm Information

18.1.6 Special Carrier Access Code

Description

If the PBX has access to multiple telephone companies, a Special Carrier Access code assigned through system programming is required every time a CO line call is made without using ARS.

A pause of a preprogrammed length will be automatically inserted between the user-dialed Special Carrier Access code and the subsequent digits. (→ 15.1.2 Pause Insertion)

Conditions

- TRS

Toll Restriction (TRS) checks only the dialed telephone number excluding the Special Carrier Access code. (→ 19.1.5 TRS (Toll Restriction))

- **ARS**
A pause is not automatically inserted between the user-dialed access code and the subsequent digits when ARS mode is enabled. (→ 2.1.3 ARS (Automatic Route Selection))
- **If this PBX is installed behind an existing host PBX:**
A Special Carrier Access code and a Host PBX Access code should be assigned separately—these codes cannot be assigned together as one code. (→ 9.1.5 Host PBX Access Code (Access Code to the Telephone Company from a Host PBX))

PC Programming Manual References

15.3 PBX Configuration—[7-3] TRS—Special Carrier

Feature Manual References

2.1.3 ARS (Automatic Route Selection)
23.1 Capacity of System Resources

18.1.7 Speed Dialing, Personal

Description

An extension user can make calls using abbreviated dialing for frequently dialed numbers which are stored in the extension's Personal Speed Dialing.

Personal Speed Dialing is also known as Station Speed Dialing.

Conditions

- Any number, such as a telephone number or feature number, can be stored in Speed Dialing. A name can be assigned to each Personal Speed Dialing number through personal programming, and also to each System Speed Dialing number.
- **Call Directory—Speed Dialing**
Display proprietary telephone (PT) users can make a call by selecting a stored name shown on the display.
- **Display Lock**
An extension user can lock the Personal Speed Dialing number display to prevent the numbers from being viewed at any extension through personal programming (Display Lock). In this case, the Incoming/Outgoing Call Log displays are also locked, and the voice messages in the user's mailbox cannot be played back. An extension personal identification number (PIN) is required to use this feature. (→ 6.1.8 Extension PIN (Personal Identification Number))

PC Programming Manual References

10.6.1 PBX Configuration—[2-6-1] System—Numbering Plan—Main—Features
→ ◆ System Speed Dialing / Personal Speed Dialing
→ ◆ Personal Speed Dialing - Programming
12.1.3 PBX Configuration—[4-1-3] Extension—Wired Extension—Speed Dial

Feature Manual References

23.1 Capacity of System Resources

Operating Manual References

- 1.3.62 Speed Dialing, Personal
- 1.4.1 Call Log, Incoming
- 1.4.3 Directories
- 3.1.2 Personal Programming

18.1.8 Speed Dialing, System

Description

An extension user can make calls using abbreviated dialing for frequently dialed numbers which are stored in the PBX as System Speed Dialing numbers.

Conditions

- Any number, such as a telephone number or feature number, can be stored in Speed Dialing. A name can be assigned to each Personal Speed Dialing number through personal programming, and also to each System Speed Dialing number.
- **Call Directory—Speed Dialing**
Display proprietary telephone (PT) users can make a call by selecting a stored name shown on the display.
- **TRS Override by System Speed Dialing**
It is possible to override Toll Restriction (TRS) when dialing a number using System Speed Dialing. (→ 19.1.5 TRS (Toll Restriction))
- **System Speed Dialing Display by AUTO DIAL/STORE Button**
Pressing the AUTO DIAL/STORE button on a display PT while on-hook can display the System Speed Dialing Directory.

PC Programming Manual References

- 10.6.1 PBX Configuration—[2-6-1] System—Numbering Plan—Main—Features—◆ System Speed Dialing / Personal Speed Dialing
- 10.7.1 PBX Configuration—[2-7-1] System—Class of Service—COS Settings—TRS—◆ TRS Level for System Speed Dialing
- 12.1.3 PBX Configuration—[4-1-3] Extension—Wired Extension—Speed Dial
- 14.1 PBX Configuration—[6-1] Feature—System Speed Dial
- 14.6 PBX Configuration—[6-6] Feature—Tenant—◆ System Speed Dial

Feature Manual References

- 23.1 Capacity of System Resources

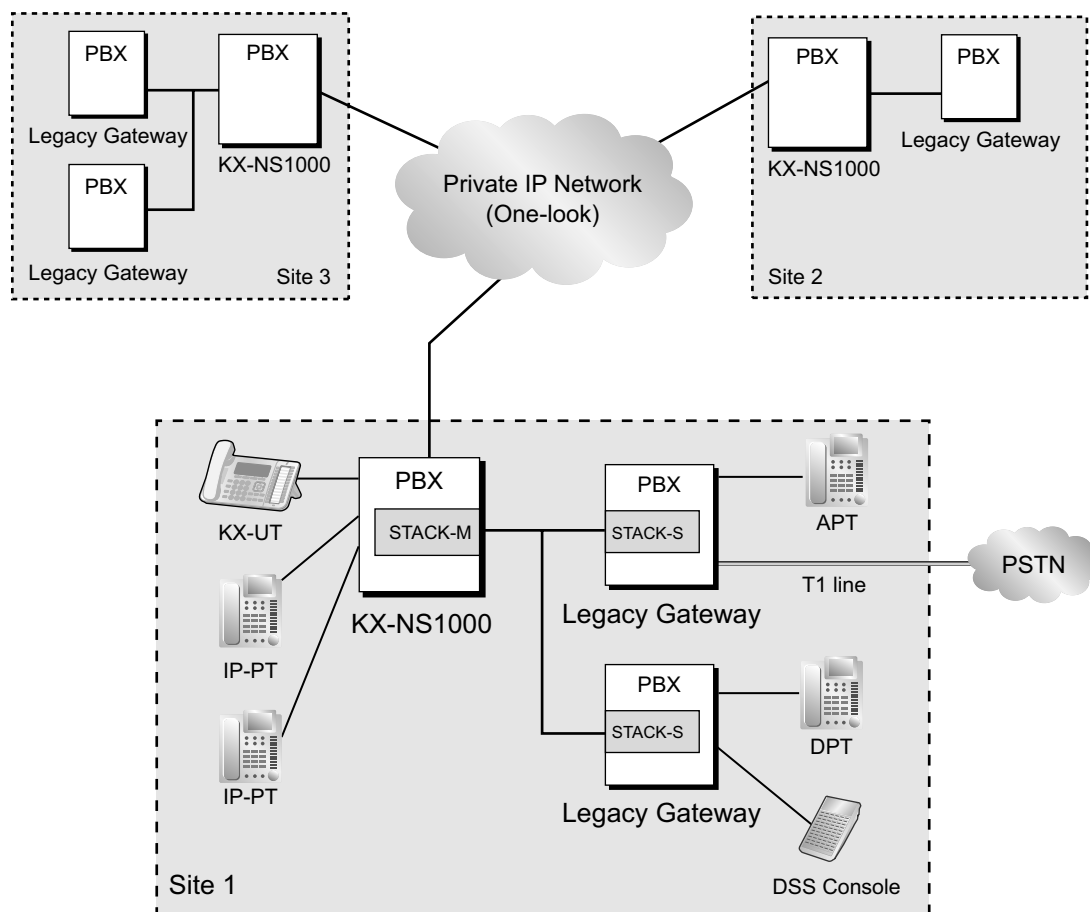
Operating Manual References

- 1.3.63 Speed Dialing, System
- 1.4.1 Call Log, Incoming
- 1.4.3 Directories
- 3.1.2 Personal Programming

18.1.9 Stacking Connection

Description

KX-TDA/KX-TDE/KX-NCP series PBXs can be connected to a KX-NS1000 PBX via a stacking connection and used to connect telephones, devices, and CO lines that are not natively compatible with the KX-NS1000. Such items include DPTs and APTs, DSS Consoles, digital CSs (i.e., non-IP), and T1 lines. A PBX connected through a stacking connection is referred to as a "legacy gateway".



All programming can be done through Web Maintenance Console on the KX-NS1000.

Conditions

- **Hardware Requirement:** STACK-M card (KX-NS1000) and a STACK-S card (for each legacy gateway).
 - The KX-TDA15 and KX-TDA30 are not supported for stacking.
 - The following features are available through a legacy gateway:
 - Paralleled Telephone
 - T1 Line Service
 - Voice Mail (VM) Group
 - Voice Mail DTMF Integration
 - Voice Mail DPT Integration
 - Centralized Voice Mail using a VPS
- For details about these features and how to configure the necessary settings, refer to the documentation of the PBX you will be connecting.
- IP extensions and CO lines, including SIP CO lines, are not supported through legacy gateways.

Installation Manual References

- 4.6 Stacking Cards
- Section 6 Information about Stacking PBXs

PC Programming Manual References

- 9.2 PBX Configuration—[1-1] Configuration—Slot—Summary—Legacy Gateway 1 Shelf/Legacy Gateway 2 Shelf
- 9.28 PBX Configuration—[1-1] Configuration—Slot—Legacy-GW1/Legacy-GW2

18.1.10 Syslog Record Management

Description

By connecting this PBX to a Syslog server over a LAN, it is possible to output local alarm information (major alarms/minor alarms) to a external PC.

Conditions

- To be able to use this feature, through system programming, it is required to enable this feature, register the IP address of the Syslog server, and to select whether major/minor are sent.

PC Programming Manual References

- 7.3.2 Utility—Log—Syslog
- 27.3.2 Network Service—[3-2] Client Feature—Syslog

Feature Manual References

- 12.1.4 Local Alarm Information

Section 19

Features and Configurations—T

19.1 T

19.1.1 TAFAS (Trunk Answer From Any Station)

Description

A ring tone is sent through an external pager (loudspeaker) when an incoming call is received. Any extension user can answer the call.

Conditions

- **Hardware Requirement:** A user-supplied external pager
 - **Floating Extension Number**
A floating extension number can be assigned to an external pager (default: 600 or 6000^{*1}). An external pager is accessed by dialing its floating extension number.
 - **Pager Volume**
It is possible to change the volume level of an external pager through system programming.
- ^{*1} The default floating extension number depends on the value specified for **Numbering Plan** in Easy Setup.
→ 2.1.4 Easy Setup Wizard—PBX Setting—Select the default value of Numbering Plan

Installation Manual References

4.10 Connection of Peripherals

PC Programming Manual References

2.1.4 Easy Setup Wizard
 10.6.1 PBX Configuration—[2-6-1] System—Numbering Plan—Main—Features—◆ TAFAS Answer
 10.11.1 PBX Configuration—[2-11-1] System—Audio Gain—Paging/MOH
 →◆ Paging—EPG 1 (External Pager 1)
 13.2 PBX Configuration—[5-2] Optional Device—External Pager

Feature Manual References

7.1.5 Floating Extension

Operating Manual References

1.3.64 TAFAS (Trunk Answer From Any Station)

19.1.2 Tenant Service

Description

Tenant service is a cost-effective method of providing PBX services to different offices or companies located in the same building, while using only one PBX.

1. Tenant Configuration

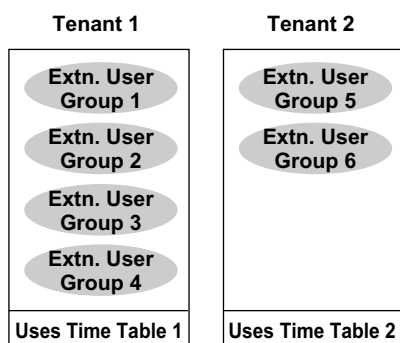
Tenant Members

Extensions are assigned to a tenant indirectly; they are assigned to extension user groups, and these extension user groups are assigned to tenants. An extension can belong to only one extension user group and an extension user group can belong to only one tenant, therefore an extension can belong to only one tenant. (→ 8.1.1 GROUP FEATURES)

Time Service

Time modes are used by many PBX features to determine how they will function during different times of day (→ 19.1.3 Time Service). The start and end times of each time mode (day/lunch/break/night) for each day of the week are programmed in a Time Table. Each Time Table has a number which corresponds to the tenant number of the tenant it serves. (Tenant 1 uses Time Table 1, etc.)

[Example of Tenant Configuration]



2. System Management

Each of the following system management items can be assigned to each tenant.

- a. **Tenant Operator:** Determines the destination for calls directed to the tenant's operator. If no operator is designated, the PBX operator will serve as the tenant's operator (→ 14.1.8 Operator Features).
→ 14.6 PBX Configuration—[6-6] Feature—Tenant—◆ Operator (Extension Number)
- b. **ARS Mode:** Determines under which circumstances Automatic Route Selection (ARS) operates for calls made by the tenant's extensions — either when a call is made using the Idle Line Access method, or when any CO Line Access method is used (→ 4.1.16 CO Line Access). The ARS mode for each tenant can also be programmed to be the same ARS mode assigned to the entire PBX, or turned off (→ 2.1.3 ARS (Automatic Route Selection)).
→ 14.6 PBX Configuration—[6-6] Feature—Tenant—◆ ARS Mode
- c. **Audio Source for Music on Hold:** Determines the audio source for the Music on Hold heard by the tenant's callers. Either a tone or a specific background music (BGM) number can be used. The audio source for each tenant can also be programmed to use the same audio source used for Music on Hold assigned to the entire PBX (→ 13.1.4 Music on Hold).
→ 14.6 PBX Configuration—[6-6] Feature—Tenant—◆ Music On Hold
- d. **System Speed Dialing:** Determines whether each tenant uses the original set of common System Speed Dialing numbers or that tenant's private set (→ 18.1.8 Speed Dialing, System).
→ 14.6 PBX Configuration—[6-6] Feature—Tenant—◆ System Speed Dial
Hardware Requirement: An EMEC or MEC card

3. Call Blocking

Through Class of Service (COS) programming, it is possible to:

1. Prevent extensions of one tenant from calling extensions of another tenant. (Tenant-to-Tenant Call Block)
2. Limit the trunk groups which can be used by the extensions of each tenant. (External Call Block)

Tenant-to-Tenant Call Block

Using Internal Call Block, certain features, such as making intercom calls, can be restricted based on the COS assigned to extensions (→ 10.1.14 Internal Call Block). Well-planned COS programming can prevent extensions of one tenant from:

- Calling an extension or doorphone which belongs to another tenant
- Picking up calls ringing at extensions belonging to another tenant (→ 4.1.8 Call Pickup)
- Retrieving calls being held by another tenant (→ 4.1.4 Call Hold)

[Programming Example: Internal Call Block]

Caller	Called Party					
	COS 1	COS 2	COS 3	COS 4	COS 5	COS 6
COS 1						
COS 2						
COS 3					Block	Block
COS 4					Block	Block
COS 5	Block	Block	Block	Block		
COS 6	Block	Block	Block	Block		

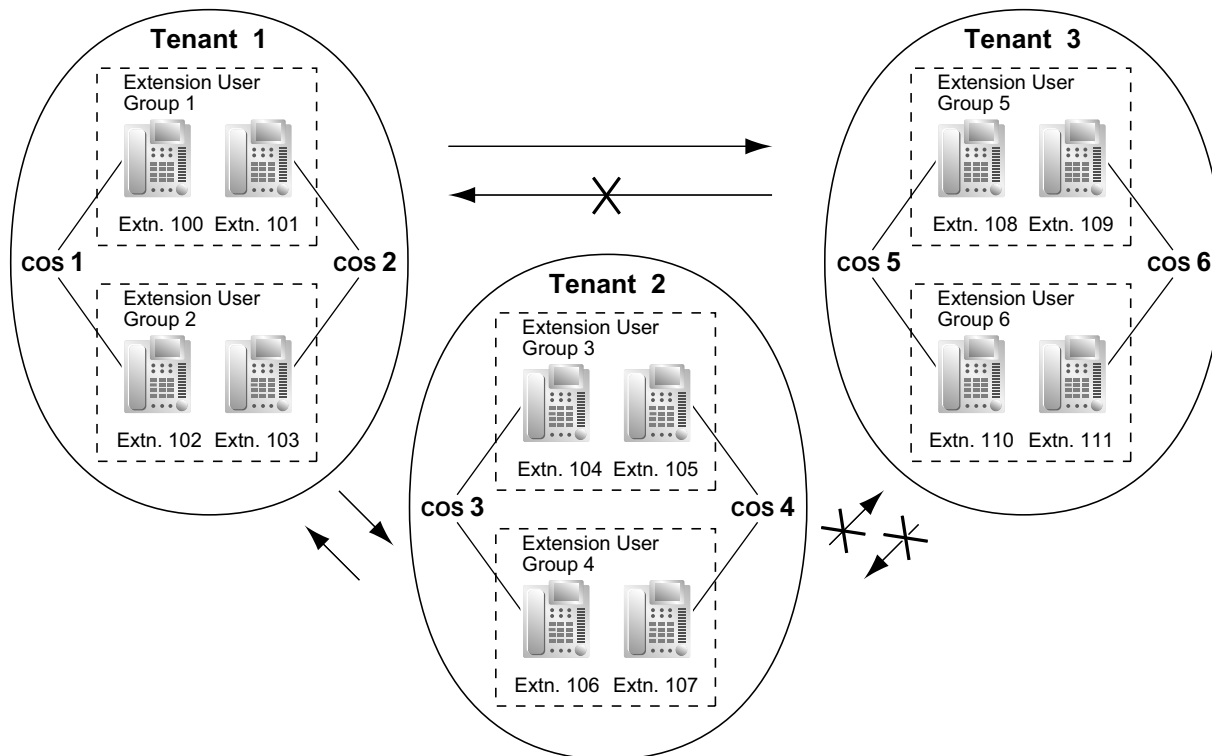
In this example:

Internal Call Block is employed to block calls between certain tenants.

Each extension in a tenant is assigned a COS that is not assigned to extensions which belong to another tenant.

- a. Extensions in Tenant 1 are either COS 1 or 2. They can make calls to extensions in Tenants 1, 2, and 3.
- b. Extensions in Tenant 2 are either COS 3 or 4. They can make calls to extensions in Tenants 1 and 2, but not 3.

- c. Extensions in Tenant 3 are either COS 5 or 6. They can make calls to other extensions in Tenant 3 only.



External Call Block

If multiple tenants are using the PBX, the External Call Block feature should be programmed to control which COS numbers are allowed to access which trunk groups. By preventing certain COS numbers from accessing certain trunk groups, each tenant can be given its own trunk groups which no other tenant can access.

[Programming Example: External Call Block]

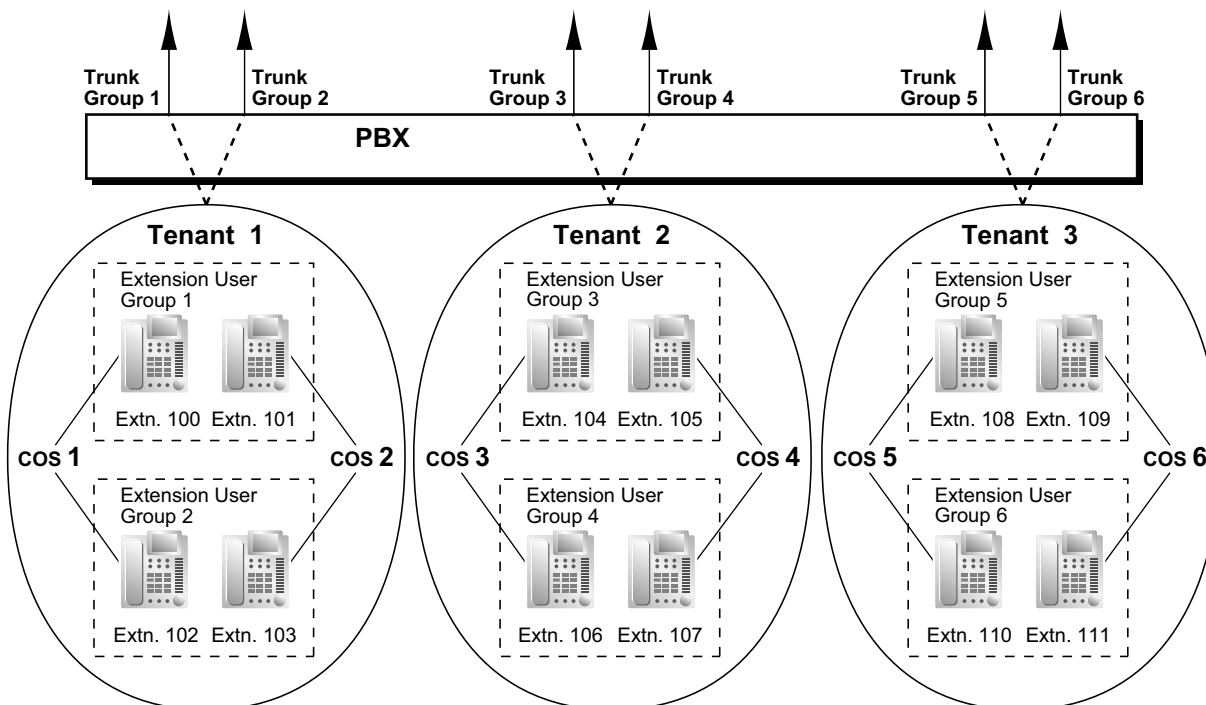
COS	Trunk Group 1	Trunk Group 2	Trunk Group 3	Trunk Group 4	Trunk Group 5	Trunk Group 6
COS 1			Block	Block	Block	Block
COS 2			Block	Block	Block	Block
COS 3	Block	Block			Block	Block
COS 4	Block	Block			Block	Block
COS 5	Block	Block	Block	Block		
COS 6	Block	Block	Block	Block		

In this example:

External Call Block is employed to prevent tenants from accessing all trunk groups except the ones designated to them. Each extension in a tenant is assigned a COS that is not assigned to extensions which belong to another tenant.

- a. Extensions in Tenant 1 are either COS 1 or 2. They can access trunk groups 1 and 2.
- b. Extensions in Tenant 2 are either COS 3 or 4. They can access trunk groups 3 and 4.

- c. Extensions in Tenant 3 are either COS 5 or 6. They can access trunk groups 5 and 6.



Conditions

- **One-look Networking** (→ 14.1.4 One-look Network)
For features whose operation depends on Time Service (→ 19.1.3 Time Service), system programming specifies which PBX's clock is used to determine the time mode.
→ 14.6 PBX Configuration—[6-6] Feature—Tenant—◆ Time Service Mode
- The following features used by incoming call distribution (ICD) group are determined by the tenant number assigned to them (→ 10.1.1 ICD GROUP FEATURES):
 - The Music on Hold heard by a caller while waiting in a queue.
 - The Time Table used by the ICD group to determine the current time mode. An overflow destination and Queuing Time Table can be assigned for each time mode.

PC Programming Manual References

- 10.2 PBX Configuration—[2-2] System—Operator & BGM
 - ◆ PBX Operator—Day, Lunch, Break, Night
 - ◆ BGM and Music on Hold—Music on Hold
- 10.4 PBX Configuration—[2-4] System—Week Table
- 10.5 PBX Configuration—[2-5] System—Holiday Table
- 10.7.2 PBX Configuration—[2-7-2] System—Class of Service—External Call Block
- 10.7.3 PBX Configuration—[2-7-3] System—Class of Service—Internal Call Block
- 11.2 PBX Configuration—[3-2] Group—User Group
- 11.5.1 PBX Configuration—[3-5-1] Group—Incoming Call Distribution Group—Group Settings—Main—◆ Tenant Number
- 12.1.1 PBX Configuration—[4-1-1] Extension—Wired Extension—Extension Settings—Main—◆ User Group
- 12.2.1 PBX Configuration—[4-2-1] Extension—Portable Station—Extension Settings—Main—◆ User Group
- 13.1 PBX Configuration—[5-1] Optional Device—Doorphone—◆ Tenant Number
- 13.5 PBX Configuration—[5-5] Optional Device—External Sensor—◆ Tenant No.

- 14.1 PBX Configuration—[6-1] Feature—System Speed Dial
- 14.6 PBX Configuration—[6-6] Feature—Tenant
- Section 16 PBX Configuration—[8] ARS
- 16.5 PBX Configuration—[8-5] ARS—Carrier—Authorization Code for Tenant
- 18.2 PBX Configuration—[10-2] CO & Incoming Call—DIL Table & Port Settings—DIL—◆ Tenant Number
- 18.3 PBX Configuration—[10-3] CO & Incoming Call—DDI / DID Table—◆ Tenant Number

Feature Manual References

- 23.1 Capacity of System Resources

19.1.3 Time Service

Description

Time modes are used by many PBX features to determine how they will function during different times of day. For example, incoming calls can be directed to sales staff during the day and to the Unified Messaging system at night, extension users can be prohibited from making long distance calls during lunch time, etc. There are four time modes—day, lunch, break, and night. The start and end times of each time mode are programmed for each day of the week in a Time Table. Each Time Table has a number which corresponds to the tenant it serves, i.e., Tenant 1 uses Time Table 1, etc.

1. Time Service Switching Mode

The current time mode can switch automatically to another time mode at the preprogrammed time assigned in the Time Table. It is possible, however, to switch time modes manually.

Whether time modes are normally switched manually or automatically is determined through system programming. Each tenant is assigned a switching mode.

Time Mode Switching	Description	Condition
Automatic	The current time mode will switch automatically to another time mode at the time programmed in the tenant's Time Table, and can be switched manually by pressing the Time Service button or by dialing the Time Service Switch feature number.	The current time mode (day/lunch/break/night) and the switching mode (automatic/manual) can be switched manually by an extension assigned as a manager, or by an extension whose Class of Service (COS) is authorized. The Unified Messaging System Manager can set the time service mode from an outside telephone.
Manual	The current time mode will switch only when the Time Service button is pressed or when the Time Service Switch feature number is dialed.	

2. Time Table

Each tenant has a Time Table that is used when the tenant is in Automatic Time Service Switching mode. Each Time Table has four basic modes—day, lunch, break, and night—and also provides for multiple "breaks", such as morning breaks and afternoon breaks, and multiple "days", such as the morning shift and the afternoon shift following lunch.

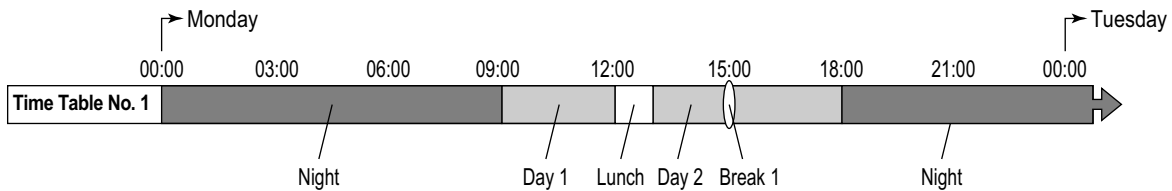
A tenant's Time Table is programmed to control when each time mode starts (and therefore, ends) and can be programmed separately for each day of the week.

Each Time Table has a number which corresponds to the tenant number of the tenant it serves. (Tenant 1 uses Time Table 1, etc.)

[Programming Example: Time Table]

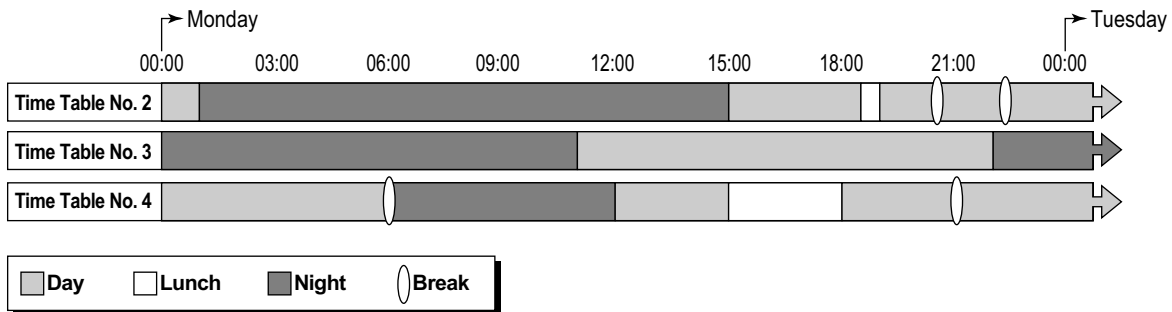
Time Schedule		Time Table No. (Tenant No.)			
		1	2	3	4
MON	Day 1	09:00	15:00	11:00	12:00
	Lunch	12:00	18:30		15:00
	Day 2	13:00	19:00		18:00
	Break 1 start	15:00	20:30		06:00
	Break 1 end	15:15	20:45		06:15
	Break 2 start		22:30		21:00
	Break 2 end		22:45		21:15
	Night	18:00	01:00	22:00	06:15
TUE	Day 1	09:00	15:00	11:00	

[Visualization of Time Schedule for Tenant 1]



Note that in this example, the day mode (Day 2) resumes automatically when the break mode (Break 1) ends.

[Visualization of Time Schedule for Other Tenants]



Note that time modes can be arranged as they are needed (for example, night mode can occur in the morning and afternoon, if necessary) and not all time modes need to be used in a tenant's time schedule.

3. Features Using Time Service

The following features can be programmed separately for each time mode:

- Destination of incoming CO line calls (Direct In Line (DIL)/Direct Inward Dialing (DID)) (→ 5.1.8 DIL (Direct In Line), → 5.1.7 DID (Direct Inward Dialing))
- Destination of calls handled by Intercept Routing (→ 10.1.11 Intercept Routing)
- Destination of calls that are overflowed while waiting in a queue for an available agent of an incoming call distribution (ICD) group (→ 10.1.5 ICD Group Features—Overflow)
- Destination of incoming doorphone calls (→ 5.1.13 Doorphone Call)
- Destination of Operator Calls (→ 14.1.8 Operator Features)
- Toll Restriction (TRS) level of each COS

- g. COS numbers which are permitted/restricted to access certain trunk groups (External Call Block) (→ 4.1.16 CO Line Access)
- h. Outgoing Message (OGM) for Timed Reminder (→ 19.1.4 Timed Reminder)
- i. Queuing Time Table used by an ICD group (→ 10.1.6 ICD Group Features—Queuing)
- j. Intercept time for Intercept Routing—No Answer (→ 10.1.11 Intercept Routing)
- k. Intercept time for DISA Intercept Routing—No Answer (→ 5.1.9 DISA (Direct Inward System Access))
- l. Service group settings for voice mail (→ 20.1.78 Unified Messaging—Service Group)

[Programming Example: DID Table]

The DID Table can be programmed to direct calls to a different destination for each time mode based on the number dialed by the caller. Calls can, for example, be directed to an ICD group during the day mode, or to the Voice Mail (VM) service of the Unified Messaging system during the lunch and night modes.

Location	DID No.	Tenant (Time Table) No.	DID Destination			
			Day	Lunch	Break	Night
1	123-4567	1	105	150	105	150
2	123-2468	2	210	200	210	200

Explanation:

A CO line call with the DID number "123-4567" is received at 20:00.

1. The call will be handled by Time Table 1.
2. The current time mode is "night" (shown in "Programming Example: Time Table", above).
3. The call is directed to extension 150, which is a floating extension number used by the Unified Messaging system (programming not shown here).

[Programming Example: DIL Table]

The DIL Table can be programmed to direct calls to a different destination for each time mode based on the CO line receiving the call. Calls can, for example, be directed to an ICD group during the day mode, or to the Voice Mail (VM) service of the Unified Messaging system during the lunch and night modes.

Port No. (CO Line No.)	Tenant (Time Table) No.	DIL Destination			
		Day	Lunch	Break	Night
01	1	105	150	105	150
02	2	210	200	210	200

Explanation:

A call is received at 20:00 on CO line 01.

1. The call will be handled by Time Table 1.
 2. The current time mode is "night" (shown in "Programming Example: Time Table", above).
 3. The call is directed to extension 150, which is a floating extension number used by the Unified Messaging system (programming not shown here).
- 4. Holiday Mode**
The PBX can also accommodate 24 different holidays. The start and end date of each holiday can be programmed, and all holidays are assigned a single time mode. For example, if the "night" mode is assigned as the time mode for holidays, and a holiday begins December 31st and ends January 1st, all PBX features will use their "night" settings from 0:00 A.M. on December 31st until 0:00 A.M. on January 1st.
- 5. Time Service Button**

A flexible button can be customized as one of the following Time Service buttons:

- a. Day/Night button
- b. Day/Night/Lunch button
- c. Day/Night/Break button
- d. Day/Night/Lunch/Break button

These buttons can be used to switch the current time mode: pressing the Day/Night button will toggle between the day and night modes, for example.

Each Time Service button will display the current time mode using a different light pattern or color, as shown below.

Light Pattern	Current Time Mode
Off	Day
Red on	Night
Green on	Lunch
Slow green flashing	Break
Slow red flashing	Holiday

Note

Pressing a Time Service button will change the current time mode only if the COS assigned to the extension is authorized to do so or if the extension is assigned as a manager. All other extension users can press this button on their proprietary telephones (PTs) to display the current time mode.

Conditions

- System programming can set the following time periods:
 - Day-1 (Day Start time)
 - Lunch (Lunch Start time)
 - Day-2 (Lunch End time)
 - Night (Night Start time)
 - Break-1 Start
 - Break-1 End (Day restart)
 - Break-2 Start
 - Break-2 End (Day restart)
 - Break-3 Start
 - Break-3 End (Day restart)
- **One-look Networking** (→ 14.1.4 One-look Network)
 In Automatic Switching mode, system programming specifies which PBX's clock is used to determine the time mode when a time-mode-dependent feature is used. One of the following 2 options can be specified:
 - The local PBX of the device or CO line that is using the feature
 - The PBX site to which the Time Table's tenant is assigned
 → 14.6 PBX Configuration—[6-6] Feature—Tenant—◆ Time Service Mode
- **Time Service Switching Mode (Automatic/Manual) Button**
 Any flexible button can be customized as the Time Service Switching Mode (Automatic/Manual) button.

PC Programming Manual References

- 10.4 PBX Configuration—[2-4] System—Week Table
- 10.5 PBX Configuration—[2-5] System—Holiday Table

- 10.6.1 PBX Configuration—[2-6-1] System—Numbering Plan—Main—Features—◆ Time Service (Day / Lunch / Break / Night) Switch
- 10.7.1 PBX Configuration—[2-7-1] System—Class of Service—COS Settings—Manager—◆ Time Service Switch
- 12.1.4 PBX Configuration—[4-1-4] Extension—Wired Extension—Flexible Button
 - ◆ Type
 - ◆ Parameter Selection (for Time Service)
 - ◆ Parameter Selection (for Time Service - Automatic/Manual)
 - ◆ Optional Parameter (Ringing Tone Type Number) (for Time Service)
- 12.2.3 PBX Configuration—[4-2-3] Extension—Portable Station—Flexible Button
 - ◆ Type
 - ◆ Parameter Selection (for Time Service)
 - ◆ Parameter Selection (for Time Service - Automatic/Manual)
 - ◆ Optional Parameter (or Ringing Tone Type Number) (for Time Service)

Feature Manual References

- 4.1.22 COS (Class of Service)
- 7.1.3 Flexible Buttons
- 19.1.2 Tenant Service
- 19.1.5 TRS (Toll Restriction)
- 20.1.76 Unified Messaging—Remote Time Service Set
- 23.1 Capacity of System Resources

Operating Manual References

- 1.3.66 Time Service
- 2.1.6 Time Service Mode Control
- 2.2.1 System Manager Features—◆◆ Remote Time Service Mode Setting

19.1.4 Timed Reminder

Description

An extension can be preset to ring at a certain time, to act as a wake-up call or reminder. This feature can be programmed to activate only once, or daily. If the user answers the alarm call, a prerecorded voice message will be heard. If a message is not assigned, a special dial tone (dial tone 3) will be heard.

Timed reminders can be set in one of two ways:

- By the extension user, from his or her own extension (Timed Reminder).
- Remotely, by the hotel operator (Remote Wake-up Call).

Conditions

- Be sure that the PBX clock is set to the correct time.
- Only one timed reminder can be set for an extension at a time. Setting a new reminder clears the previous reminder. If both the extension user and the hotel operator set a timed reminder for the same extension, the timed reminder that was set most recently is effective.
- **Programmable Time**
The Alarm Ringing time, the number of alarm repeat times, and Interval time are programmable through system programming.
- **To use the voice message feature:**

19.1.5 TRS (Toll Restriction)

An extension assigned as a manager can record messages (→ 14.1.2 OGM (Outgoing Message)). A different message can be assigned for each time mode (→ 19.1.3 Time Service).

- This feature is not available for SIP extensions.

PC Programming Manual References

- 10.3 PBX Configuration—[2-3] System—Timers & Counters—DISA / Door / Reminder / U. Conf
 - ♦ Timed Reminder—Repeat Counter
 - ♦ Timed Reminder—Interval Time
 - ♦ Timed Reminder—Alarm Ringing Duration
- 10.6.1 PBX Configuration—[2-6-1] System—Numbering Plan—Main—Features
 - ♦ Remote Timed Reminder (Remote Wakeup Call)
 - ♦ Timed Reminder Set / Cancel
- 10.8.3 PBX Configuration—[2-8-3] System—Ring Tone Patterns—Call from Others—♦ Timed Reminder—Ring Tone Pattern Plan 1–8
- 10.9 PBX Configuration—[2-9] System—System Options—Option 1—♦ PT LCD—Time Display
- 13.3.1 PBX Configuration—[5-3-1] Optional Device—Voice Message—DISA System—Option 2—♦ Timed Reminder Message—Day, Lunch, Break, Night
- 14.2 PBX Configuration—[6-2] Feature—Hotel—♦ SMDR for External Hotel Application 1—Timed Reminder (Wake-up Call)
- 19.1 PBX Configuration—[11-1] Maintenance—Main—SMDR—♦ Print Information—Timed Reminder (Wake-up Call)

Feature Manual References

- 17.1.3 Room Status Control

Operating Manual References

- 1.3.65 Timed Reminder
- 1.3.72 Wake-up Call

19.1.5 TRS (Toll Restriction)

Description

Toll Restriction (TRS) can prohibit extension users from making certain CO line calls, based on the Class of Service (COS) assigned to them.

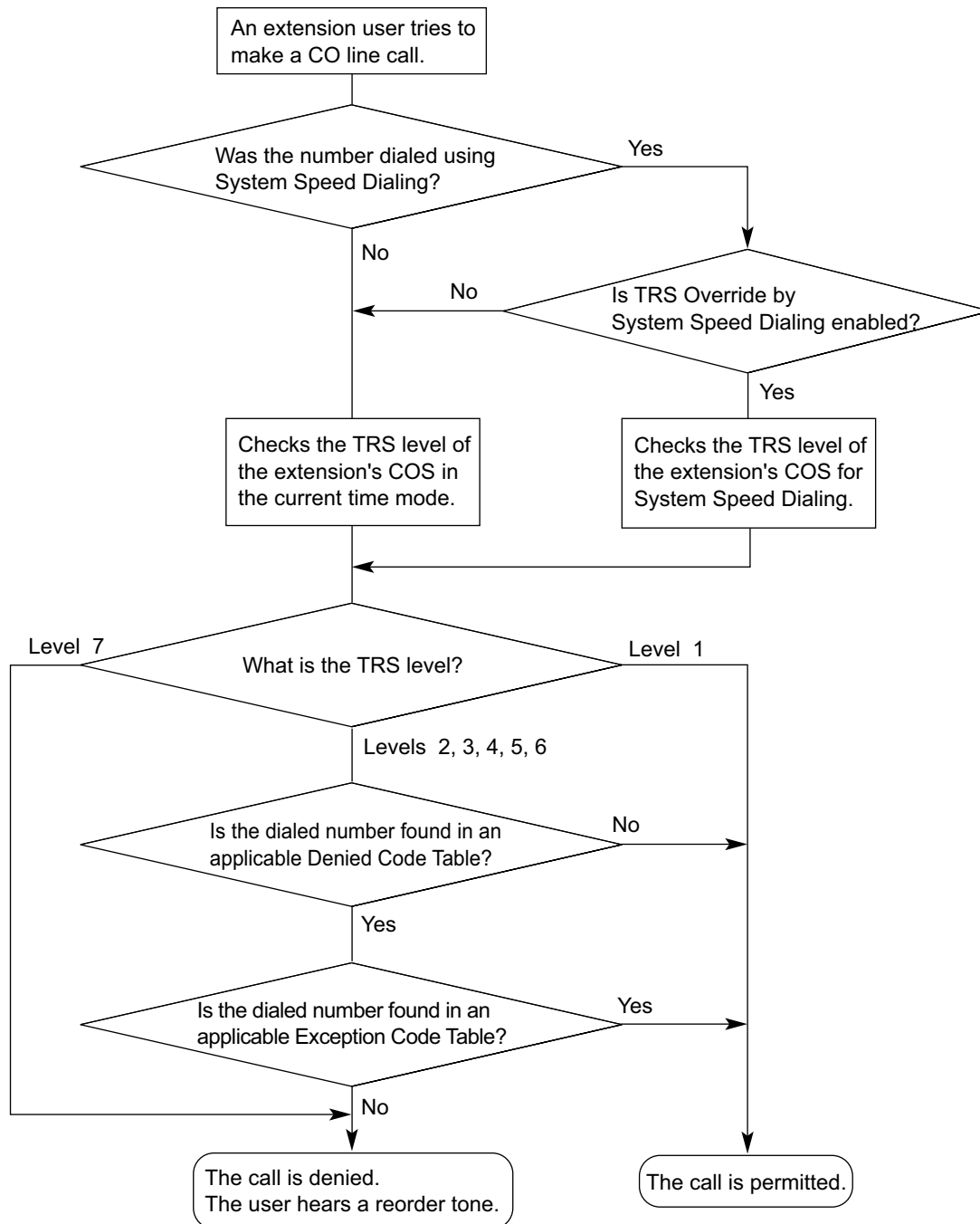
→ 12.1.1 PBX Configuration—[4-1-1] Extension—Wired Extension—Extension Settings—Main—♦ COS

→ 12.2.1 PBX Configuration—[4-2-1] Extension—Portable Station—Extension Settings—Main—♦ COS

Each COS is assigned a TRS level for each time mode; level 1 grants the highest level of authorization, allowing all CO line calls to be made, and level 7 grants the lowest level of authorization, prohibiting all CO line calls from being made. TRS levels 2 through 6 are used to restrict calls by combining preprogrammed Denied and Exception Code Tables, explained below.

Each COS can also have a separate TRS level applicable to calls made using System Speed Dialing.

A TRS check is applied each time a dialed number is sent to a CO line after an extension user goes off-hook and seizes a line.

[Flowchart]**Denied Code Tables**

Denied Code Tables are preprogrammed lists containing the first few digits (leading number) of telephone numbers which may not be called. All outgoing CO line calls made by TRS level 2 through 6 users are compared to at least one Denied Code Table, and when the leading number of a dialed telephone number (not including the CO Line Access number) matches an entry found in the applicable table, the call is denied.

There are five Denied Code Tables. Each table applies to a corresponding TRS level as well as the level(s) preceding it, as explained below.

Exception Code Tables

Exception Code Tables are preprogrammed lists of leading digits or complete telephone numbers which are checked against every dialed number prohibited by a Denied Code Table. When a user dials a number prohibited by a Denied Code Table, it is compared to at least one Exception Code Table. If the dialed number matches an entry found in the applicable Exception Code Table, the call is permitted.

There are five Exception Code Tables. Each table applies to a corresponding TRS level as well as the level(s) preceding it, as explained below.

TRS Override by System Speed Dialing

When TRS Override by System Speed Dialing is enabled for the PBX, each COS has an additional TRS level applicable only to calls made using System Speed Dialing.

→ 10.7.1 PBX Configuration—[2-7-1] System—Class of Service—COS Settings—TRS—◆ TRS Level for System Speed Dialing

This allows extension users to use System Speed Dialing to make CO line calls which are normally prohibited by the TRS level of their assigned COS. If, for example, a user's TRS level is 7, that user normally cannot make any CO line calls. However, if the same user's TRS level for System Speed Dialing is level 1, the user can make a CO line call to any number stored in System Speed Dialing.

TRS Level

The TRS level is determined by the telephone codes set in the Denied Code Tables and Exception Code Tables.

As shown in the table below, the Denied Code Tables for the higher levels are applied to all levels below it, and the Exception Code Tables for the lower levels are applied to all levels above it.

	Denied Code Tables ¹	Exception Code Tables ²
Level 1	Not Programmable	Not Programmable
Level 2	Table for Level 2	Tables for Levels 2 through 6
Level 3	Tables for Levels 2 and 3	Tables for Levels 3 through 6
Level 4	Tables for Levels 2 through 4	Tables for Levels 4 through 6
Level 5	Tables for Levels 2 through 5	Tables for Levels 5 and 6
Level 6	Tables for Levels 2 through 6	Table for Level 6
Level 7	Not Programmable	Not Programmable

¹ → 15.1 PBX Configuration—[7-1] TRS—Denied Code—◆ Level 2–Level 6

² → 15.2 PBX Configuration—[7-2] TRS—Exception Code—◆ Level 2–Level 6

[Usage Example] Using this method, certain outgoing CO line calls (e.g., international/cellular phone/long distance) can be restricted as in the example below:

	Restricted	Allowed
Level 1	No restriction	
Level 2 (Boss)	<ul style="list-style-type: none"> International Calls 	<ul style="list-style-type: none"> Countries where Clients are Located Cellular Phone Calls Long Distance Calls Local Calls

	Restricted	Allowed
Level 3 (Secretary)	<ul style="list-style-type: none"> International Calls Cellular Phone Calls 	<ul style="list-style-type: none"> Boss's Cellular Phone Long Distance Calls Local Calls
Level 4 (Operator)	<ul style="list-style-type: none"> International Calls Cellular Phone Calls Long Distance Calls 	<ul style="list-style-type: none"> Local Calls
:	:	:

In this example, a level 1 user can make any CO line calls. A level 2 user can make international calls to the countries where clients are located, and can also make cellular phone/long distance/local calls. A level 3 user cannot make international/cellular phone calls apart from to the boss's cellular phone, but can make long distance/local calls. A level 4 user cannot make any international/cellular phone/long distance calls, but can make local calls.

To set TRS as in the example above, it is necessary to program the Denied Code and Exception Code Tables as follows:

	Denied Code Tables		Exception Code Tables	
Level 1	Not Programmable		Not Programmable	
Level 2	011	Leading number to deny international calls	011xx	Leading number for countries to be allowed
Level 3	1123755	Leading number to deny cellular phone calls	1123755xx xx	Boss's cellular phone number
Level 4	1	Leading number to deny long distance calls	–	Not required
:	:	:	:	:

[Programming Example: COS Settings]

COS	TRS Level ¹				TRS Level for System Speed Dialing ²
	Day	Lunch	Break	Night	
1	1	1	1	6	1
2	2	2	2	6	1

¹ → 10.7.1 PBX Configuration—[2-7-1] System—Class of Service—COS Settings—TRS—◆ TRS Level—Day, Lunch, Break, Night

² → 15.5 PBX Configuration—[7-5] TRS—Miscellaneous—◆ TRS Override by System Speed Dialing

TRS Settings for Each Level

Through system programming, it is possible to select a different method of TRS. With this method, each level has its own separate set of denied codes and exception codes, which are only applied to that level.

→ 15.5 PBX Configuration—[7-5] TRS—Miscellaneous—◆ TRS Table Mode for Level N (N=2_6)

	Denied Code Tables ¹	Exception Code Tables ²
Level 1	Not Programmable	Not Programmable

19.1.5 TRS (Toll Restriction)

	Denied Code Tables ¹	Exception Code Tables ²
Level 2	Table for Level 2	Table for Level 2
Level 3	Table for Level 3	Table for Level 3
Level 4	Table for Level 4	Table for Level 4
Level 5	Table for Level 5	Table for Level 5
Level 6	Table for Level 6	Table for Level 6
Level 7	Not Programmable	Not Programmable

¹ → 15.1 PBX Configuration—[7-1] TRS—Denied Code—◆ Level 2–Level 6

² → 15.2 PBX Configuration—[7-2] TRS—Exception Code—◆ Level 2–Level 6

[Usage Example] Using this method, it is possible to restrict certain CO line calls (e.g., international/cellular phone/long distance) on a department basis, as follows:

	Restricted	Allowed
Level 1	No restriction	
Level 2 (Engineering)	<ul style="list-style-type: none"> International Calls 	<ul style="list-style-type: none"> Country where Factory is Located Cellular Phone Calls Long Distance Calls Local Calls
Level 3 (Overseas Sales)	<ul style="list-style-type: none"> Cellular Phone Calls 	<ul style="list-style-type: none"> Company Cellular Phone International Calls Long Distance Calls Local Calls
Level 4 (Accounting)	<ul style="list-style-type: none"> International Calls Long Distance Calls 	<ul style="list-style-type: none"> Cities where Clients are Located Cellular Phone Calls Local Calls
:	:	:

In this example, a level 1 user can make any CO line calls. A level 2 user can only make international calls to the country where the factory is located, and can also make cellular phone/long distance/local calls. A level 3 user can only make cellular phone calls to the company cellular phone, and can also make any international/long distance/local calls. A level 4 user cannot make any international calls or most long distance calls, but can make long distance calls to cities where clients are located, cellular phone calls and local calls.

To set TRS as in the example above, it is necessary to program the Denied Code and Exception Code Tables as follows:

	Denied Code Tables		Exception Code Tables	
Level 1	Not Programmable		Not Programmable	
Level 2	011	Leading number to deny international calls	011xx	Leading number for country to be allowed

	Denied Code Tables		Exception Code Tables	
Level 3	1123755	Leading number to deny cellular phone calls	1123755xx xx	Number for cellular phones to be allowed
Level 4	011	Leading number to deny international and long distance calls	1315	Long distance numbers for states/cities to be allowed, and leading number of cellular phones
			1530	
	1		1123755	
:		:		:

Conditions

CAUTION

The software contained in the TRS feature to allow user access to the network must be upgraded to recognize newly established network area codes and exchange codes as they are placed into service. Failure to upgrade the on-premise PBXs or peripheral equipment to recognize the new codes as they are established will restrict the customer and the users of the PBX from gaining access to the network and to these codes.

KEEP THE SOFTWARE UP TO DATE WITH THE LATEST DATA.

- TRS checks are performed for all calls made by:
 - Any CO line access (Idle Line Access, Trunk Group Access, S-CO Line Access)
 - Automatic Route Selection (ARS)
- The PBX can also be programmed to perform a TRS check for numbers that contain non-digits (* or #). By default, the PBX ignores ("No Check") any non-digits that are dialed, which is useful in preventing unauthorized calls which could possibly be made using certain telephone company exchanges.
15.5 PBX Configuration—[7-5] TRS—Miscellaneous—◆ TRS Check for Dial " * # "
- TRS can also be programmed to check digits that are dialed after External Feature Access, such as when trying to transfer a call to an outside party. (→ 6.1.1 EFA (External Feature Access))
15.5 PBX Configuration—[7-5] TRS—Miscellaneous—◆ TRS Check after EFA
- **Host PBX Access Code/Special Carrier Access Code**
TRS checks can be carried out on telephone numbers dialed using a Host PBX Access code (→ 9.1.5 Host PBX Access Code (Access Code to the Telephone Company from a Host PBX)) or Special Carrier Access code (→ 18.1.6 Special Carrier Access Code).

Access Code Type	Access Code is stored in the PBX		Access Code is not stored in the PBX
	Access Code is dialed	Access Code is not dialed	
Host PBX Access Code	TRS ignores the code and checks the remaining digits.	Number dialed is not a CO line call, so TRS does not check the number.	TRS checks the entire number.
Special Carrier Access Code	TRS ignores the code and checks the remaining digits.	TRS checks the entire number.	TRS checks the entire number.

- **ARS**

If ARS is applied to a dialed number, TRS will check the user-dialed number, not the modified number produced by ARS. You do not need to program ARS-modified numbers in any of the TRS Tables. Additionally, when using ARS, TRS will ignore the Host PBX Access code or Special Carrier Access code.

- **Dialing Digit Restriction during Conversation**

TRS can also limit the number of digits which may be dialed by an extension user while the user is engaged on a received CO line call. If the number of dialed digits exceeds the limit, the line will be disconnected.

15.5 PBX Configuration—[7-5] TRS—Miscellaneous—◆ Dial Digits Limitation After Answering—Dial Digits

- It is possible to select through system programming whether the CO line is disconnected when the Inter-digit time expires without the TRS check being completed.

15.5 PBX Configuration—[7-5] TRS—Miscellaneous—◆ Mode when Dial Time-out before TRS Check

- If no disconnection is chosen, the TRS check will also be performed after the Inter-digit time expires.
- If disconnection is chosen, the line will be disconnected when the CO line Inter-digit time expires. This also prevents EFA from being used.

This setting applies to all CO lines.

- When one of the following features is used, the TRS level of the extension can be temporarily changed. If two or more of these features are used simultaneously (Dial Tone Transfer is used while the extension is locked, for example), the TRS level of the feature with the highest priority is applied for the duration of the call. The numbers below (1 through 4) indicate the priority of each feature, with 1 having the highest priority, and 4 having the lowest.

1. Dial Tone Transfer (→ 5.1.6 Dial Tone Transfer)

2. TRS Override by System Speed Dialing

3. Verification Code Entry/Walking COS (→ 21.1.1 Verification Code Entry, → 22.1.1 Walking COS)

4. Extension Dial Lock (→ 6.1.6 Extension Dial Lock)

PC Programming Manual References

10.7.1 PBX Configuration—[2-7-1] System—Class of Service—COS Settings—TRS

→◆ TRS Level—Day, Lunch, Break, Night

→◆ TRS Level for System Speed Dialing

12.1.1 PBX Configuration—[4-1-1] Extension—Wired Extension—Extension Settings—Main—◆ COS

12.1.4 PBX Configuration—[4-1-4] Extension—Wired Extension—Flexible Button

→◆ Type

→◆ Parameter Selection (for TRS Level Change)

12.2.1 PBX Configuration—[4-2-1] Extension—Portable Station—Extension Settings—Main—◆ COS

12.2.3 PBX Configuration—[4-2-3] Extension—Portable Station—Flexible Button

→◆ Type

→◆ Parameter Selection (for TRS Level Change)

15.1 PBX Configuration—[7-1] TRS—Denied Code

15.2 PBX Configuration—[7-2] TRS—Exception Code

15.3 PBX Configuration—[7-3] TRS—Special Carrier

15.5 PBX Configuration—[7-5] TRS—Miscellaneous

Feature Manual References

2.1.3 ARS (Automatic Route Selection)

4.1.16 CO Line Access

4.1.22 COS (Class of Service)

18.1.8 Speed Dialing, System

19.1.3 Time Service

23.1 Capacity of System Resources

19.1.6 Trunk Adaptor Connection

Description

IP CO lines (V-SIPGW and V-IPGW) can be connected to a Trunk Adaptor (KX-NS8290), which allows the KX-NS1000 to connect to PRI lines.

Conditions

[General]

- One IP CO line port corresponds to 1 channel in the Trunk Adaptor.
- An activation key is not required for ports whose **Connection Attribute** setting is set to **Trunk Adaptor**. Ports without this setting can still be connected to a Trunk Adaptor, but they will require an activation key.
- One KX-NS1000 can connect to multiple Trunk Adaptors.
- In a One-look network, the channels of a PRI line can be divided among multiple KX-NS1000 PBXs.
- For details about configuring settings for PRI lines, refer to the documentation for the Trunk Adaptor.

[Connection via SIP Trunk]

- The SIP trunk authentication ID and the authentication ID of the IP interface on the Trunk Adaptor must be the same.
- The channel attribute of SIP CO lines connecting to a Trunk Adaptor must be set to **Basic channel**.

PC Programming Manual References

- 9.11 PBX Configuration—[1-1] Configuration—Slot—V-SIPGW—Port Property—Programming Port Properties—Trunk Adaptor
- 9.11 PBX Configuration—[1-1] Configuration—Slot—V-SIPGW—Port Property—Main
 - ◆ Connection Attribute
 - ◆ Channel Attribute
- 9.13 PBX Configuration—[1-1] Configuration—Slot—V-IPGW16—Port Property
 - Trunk Adaptor
 - ◆ Connection Attribute

Section 20

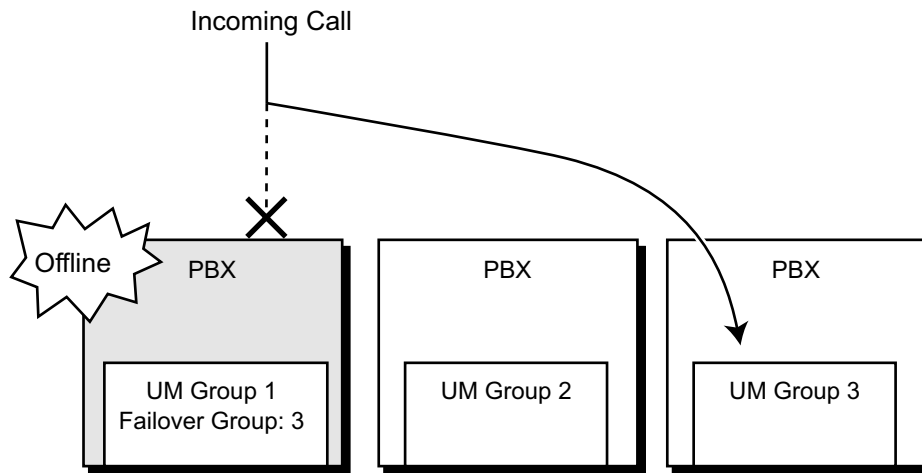
Features and Configurations—U

20.1 U

20.1.1 UM Group Failover

Description

Each UM group can be assigned a failover destination. If a call is routed to a UM group that is unavailable, the call will be redirected to the specified UM group.



UM group failover applies to incoming CO line calls (including DISA), intercom calls, and faxes.

Conditions

- If a call cannot be routed to a UM group and no failover UM group is specified, the system handles the call according to Intercept Routing—No Destination (→ 10.1.12 Intercept Routing—No Destination).
- Failover redirection does not cascade; if the failover destination is unavailable, the call will not be redirected to that UM group's failover destination.
- The same UM group may be specified as the failover destination for multiple UM groups. For example, UM group 3 can be the failover destination for both UM group 1 and UM group 2.

PC Programming Manual References

11.7.2 PBX Configuration—[3-7-2] Group—UM Group—Unit Settings—◆ Fail Over Site Name

20.1.2 UNIFIED MESSAGING FEATURES

Description

The KX-NS1000 PBX has a built-in messaging system that provides voice mail and fax services to its subscribers. The Unified Messaging system can also provide voice guidance to outside callers, either directing them to their desired destination or to the mailbox of a subscriber, where they can leave a voice message.

Users

The following three types of users exist in the Unified Messaging system:

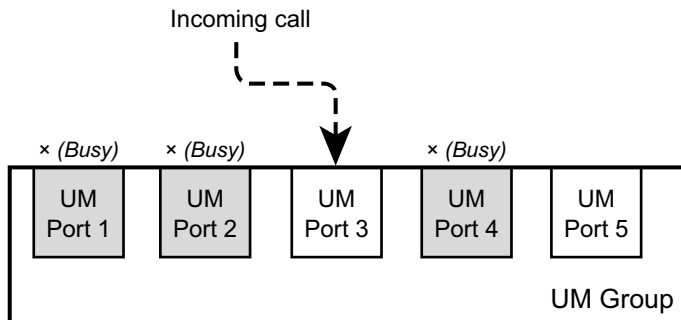
- Subscriber (maximum: 1022)

A subscriber is an extension user who has a mailbox assigned to his extension. Subscribers can play back messages saved in their mailboxes, leave messages for other subscribers, record a message that is then sent to multiple parties (including outside parties), record greeting messages, and more.

- **Message Manager (maximum: 1)**
The message manager is in charge of the general delivery mailbox, as well as performing some setup, such as recording prompts and changing notification settings. Through system programming, subscribers can also be assigned Message Manager privileges.
- **System Manager (maximum: 1)**
The system manager is in charge of the Unified Messaging system as a whole, and can access many settings. The system manager's duties include setting up mailboxes, assigning COS settings, and changing the service mode.

UM Ports and the UM Group

The PBX initially provides two ports (called UM ports) for use by the Unified Messaging system. A port acts as a pathway into the Unified Messaging system, so when a call is directed to the Unified Messaging system, it requires one available UM port. The number of ports for one PBX can be expanded to a maximum of 24. The UM ports of a PBX belong to the PBX's UM group. This group has a floating extension number, which can be the destination for incoming calls, redirected calls, transferred calls, etc. When incoming calls are received at the floating extension number of the UM group, calls will hunt starting at the lowest UM port number. Once an available port is found, the service assigned to the port, CO line, etc., determines how the call is handled (→ 20.1.78 Unified Messaging—Service Group). Services include features such as Voice Mail service (→ 20.1.93 Unified Messaging—Voice Mail Service), which allows a caller to leave a voice message at a subscriber's mailbox, and Automated Attendant (→ 20.1.6 Unified Messaging—Automated Attendant (AA)), which directs the caller to a subscriber's extension.



In a One-look network, each PBX has its own UM group, and each group has its own floating extension number.

System Administration

System administration (programming, diagnosis, system prompt administration, etc.) can be performed by the System Administrator using Web Maintenance Console. For more information, refer to the PC Programming Manual.

System Features

System management can be performed by the system manager and the message manager using an extension telephone, or by the System Administrator using Web Maintenance Console.

An example of items which are programmed by the system manager include:

- Creating, editing, deleting, and resetting mailboxes
- Class of Service (COS) settings
- Changing the company greeting

An example of items which are programmed by the message manager include:

- General Delivery Mailbox maintenance
- Message notification settings

- Recording/deleting messages (system prompts, company greetings, custom service menus, system caller names, etc.)

Subscriber Features

PBX users who are assigned a mailbox in the Unified Messaging system are called subscribers. Subscribers can customize their mailboxes in the following ways:

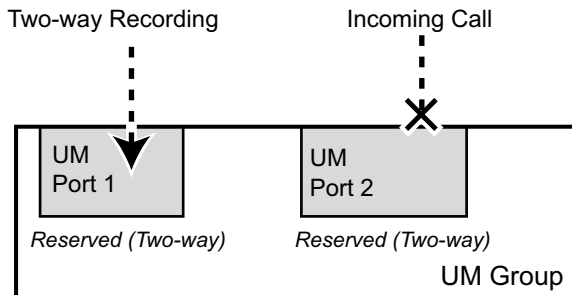
- Set a password
- Record names
- Record Personal Greetings
- Set Personal Group Distribution Lists
- Set a Personal Custom Service
- Set a Call Transfer Status
- Set Covering Extensions
- Set a Message Reception Mode
- Set an Incomplete Call Handling Status
- Set a Message Waiting Notification
- Record questions for an interview mailbox

Conditions

- Each port is assigned an extension number.
→ 9.7 PBX Configuration—[1-1] Configuration—Slot—UM Port Property—◆ Extension Number
- Initially, up to 15 hours of voice messages can be recorded. The recording limit can also be increased by installing a higher capacity Storage Memory Card.
- When hunting for an available UM port, the PBX ignores any FWD or DND settings (→ 5.1.11 DND (Do Not Disturb), 7.1.6 FWD (Call Forwarding)) applied to the ports.
It is possible to call a port in a UM group directly. If a call is routed directly to a port in the group, it is possible to apply certain features (e.g., FWD) to that port.
- It is programmable whether the calls queue when all ports in the group are busy through system programming. If the queuing is disabled through system programming, the call will be redirected to the destination, assigned on the trunk group which receives the call, by the Intercept Routing feature.
- **One-look Networking** (→ 14.1.4 One-look Network)
 - In a One-look network, a UM port on the Master unit counts as 10 extensions. (This is because the Master unit must devote resources to managing various PBX services.) The total number of extensions available at the Master unit decreases accordingly for each UM port.
For example, if the Master unit has 10 Unified Messaging ports, the maximum number of extensions becomes:
 $640 \text{ (default maximum)} - (10 \times 10) = 540$
This limitation does not apply to Slave units or to stand-alone units.
 - UM ports cannot be assigned to another PBX's UM group.
 - A UM group number is automatically assigned to Slave units.
 - A maximum of 16 groups (one per PBX) can exist in a One-look network.
 - A UM group at another PBX can be specified for each UM group as a failover UM group: When a UM group is offline (e.g., its PBX is not connected to the network), calls routed to that group will be redirected to the failover UM group. (→ 20.1.1 UM Group Failover)
- **DSP Resource Usage**
Connecting to the Unified Messaging system (including using features such as Two-way Recording) requires a certain number of DSP resources. If all DSP resources are in use, this operation cannot be performed. To ensure a minimum level of performance, DSP resources can be reserved for Unified Messaging operations. (→ 5.1.16 DSP Resource Usage)

Notice

Reserving resources for Two-way Recording (→ 20.1.9 Unified Messaging—Automatic Two-way Recording for Manager, → 20.1.90 Unified Messaging—Two-way Record/Two-way Transfer) reserves the necessary number of UM ports exclusively for Two-way Recording. For example, if 2 UM ports (the default) are available and you reserve resources for 2 Two-way Recording sessions, both UM ports will be reserved for Two-way Recording, and the Unified Messaging system will not be available for other uses.



To provide access to the Unified Messaging system in this case, either the number of UM ports must be increased or the number of resources reserved for Two-way Recording must be lowered.

- Installing KX-NSU102 or KX-NSU104 (Unified Messaging Activation Key) increases the number of available UM ports at a PBX (maximum: 24). In a One-look network, these keys are required at each PBX whose number of UM ports is to be increased.

Installation Manual References

4.3.2 Storage Memory Card (installed by default), Storage Memory S Card (KX-NS0135), Storage Memory M Card (KX-NS0136), Storage Memory L Card (KX-NS0137)

PC Programming Manual References

9.7 PBX Configuration—[1-1] Configuration—Slot—UM Port Property

11.7 PBX Configuration—[3-7] Group—UM Group

Operating Manual References

1.6 Unified Messaging Features

20.1.3 Unified Messaging—Alternate Extension Group

Description

A group of extensions that require a different call transfer sequence than other extensions and are therefore placed into a separate group.

PC Programming Manual References

23.1 UM Configuration—[4-1] Service Settings—Caller ID / PIN Call Routing—23.2 UM Configuration—[4-2] Service Settings—Parameters—◆ Alternate Extension

20.1.4 Unified Messaging—Auto Forwarding

Description

Moves or copies unplayed messages from one mailbox to another after a specified period of time has passed. A message can be forwarded up to 9 times, and forwarding stops at the 9th designated mailbox. Note that you cannot auto forward messages to the Mailbox Group, and messages marked as "private" cannot be forwarded. Also, a message is never forwarded to the original sender of the message.

PC Programming Manual References

20.1.2 UM Configuration—[1-2] Mailbox Settings—Full Setting—External MSG Delivery/Auto FWD/Personal Custom Serv

20.1.5 Unified Messaging—Auto Receipt

Description

Allows a subscriber or the System Manager to receive a message to confirm the reception of sent messages. When the sent messages are received by a subscriber, the sender will receive a message announcing "(mailbox name/number) has received your message". Subscribers need to request the Auto Receipt when they send messages.

Conditions

- This feature is not available when the System Manager sends a Broadcasting Message.
- The reception of External Delivery Messages can be confirmed using this feature as well. Subscribers can request an Auto Receipt when sending a message to a single recipient or to all members of an External Delivery Message List, and receive an Auto Receipt for each member in the list.

PC Programming Manual References

21.1 UM Configuration—[2] Class of Service—Mailbox—◆ Auto Receipt

20.1.6 Unified Messaging—Automated Attendant (AA)

Description

Allows you to direct incoming calls without the use of an operator. Callers can be redirected to the desired extension in one of the following ways:

- a. Dial extension numbers directly
- b. Spell the name of the desired party using the dial keys on their telephones (→ 20.1.31 Unified Messaging—Dialing by Name)
- c. Listen to all subscriber names and select the desired extension (→ 20.1.50 Unified Messaging—List All Names)

Automated Attendant (AA) answers incoming calls and redirects them to the desired extension based on numbers dialed by callers.

When calls from extensions are transferred to other subscribers, "Transferring you to (name)." can be heard by callers before the calls are transferred. This feature is not available when the name of called party is not recorded.

The service can be programmed for day, night, lunch, and break time modes, and is available for both Port and Trunk Services.

Callers will reach Automated Attendant service when:

- a. The Incoming Call Service of a CO line or port is set to "Automated Attendant Service" (→ 22.1 UM Configuration—[3-1] UM Extension / Trunk Service—Service Group—◆ Day, Night, Lunch, and Break Mode - Incoming Call Service).
- b. The call service of a Holiday is set to "Automated Attendant Service"
→ 23.4 UM Configuration—[4-4] Service Settings—Holiday Table—◆ Service
- c. They press [#8] (Automated Attendant Service Access Command) during a call.
- d. A Custom Service or Personal Custom Service option is set to transfer callers to Automated Attendant service.
→ 20.1.2 UM Configuration—[1-2] Mailbox Settings—Full Setting—External MSG Delivery/Auto FWD/Personal Custom Serv
→ 23.3 UM Configuration—[4-3] Service Settings—Custom Service
- e. A subscriber transfers the caller to Automated Attendant service.

PC Programming Manual References

23.2 UM Configuration—[4-2] Service Settings—Parameters

20.1.7 Unified Messaging—Automatic Fax Delivery

Description

Mailboxes can be set so that they automatically forward received faxes to a specified fax machine.

Status management

After the fax has been forwarded, the message is automatically marked as "old" by default. However, this behavior can be changed through system or personal programming so that the message remains marked as "new" or is deleted.

Conditions

- If a fax message has an attached voice comment (i.e., the sender left a voice message before sending the fax), the message remains marked as new, regardless of the setting for changing the message's status after forwarding.
- If the fax machine is busy, it will be retried a preprogrammed number of times. If the fax still cannot be sent, a non-delivery notification message is sent to the subscriber's mailbox.
- If an error occurs while sending the fax, whether to retry can be set through system programming. Also, whether to send the fax again from the start or to send it from the page where the error occurred is also programmable.

PC Programming Manual References

20.1.2 UM Configuration—[1-2] Mailbox Settings—Full Setting—Fax Options

- ◆ Automatic Delivery Status
- ◆ Automatic Delivery Status Default Fax Number [0-9 * # T , ;]
- ◆ Automatic Delivery Status Printed Fax Message

24.4 UM Configuration—[5-4] System Parameters—Parameters—Fax Management

- ◆ Fax Properties—Page Retransmission
- ◆ Fax Properties—Page Retransmission—Retransmission Start Page

20.1.8 Unified Messaging—Automatic Login

Description

Allows subscribers and managers to log in to their mailbox directly without entering the mailbox number. A subscriber/manager can log in to his or her mailbox directly by:

- dialing a Unified Messaging extension number directly from his or her extension.
- calling the Unified Messaging system from a telephone number that is assigned to log him or her into the mailbox.
- dialing (from an outside telephone) the DID number assigned to log him or her into the mailbox.
- calling the Unified Messaging system so that the call is received on the trunk group assigned to log him or her into the mailbox.

It is also possible for subscribers and managers to log in to their mailboxes without entering a password.

Notice

When disabling the password requirement, ensure that an unauthorized third-party is not allowed access to your extension.

Conditions

- Access from outside telephones will be enabled automatically after a Caller ID number, DID number, or trunk group number is assigned. A trunk group number or DID number can be assigned by the System Administrator only.
- When this feature is activated, "Toll Saver" is also available.

PC Programming Manual References

- 20.1.2 UM Configuration—[1-2] Mailbox Settings—Full Setting—Remote Call/Automatic Login/Direct Service
 - ◆ Auto Login Extension
 - ◆ Auto Login Extension Password Entry Requirement
 - ◆ Auto Login Caller ID 1, 2
 - ◆ Auto Login Caller ID Password Entry Requirement
 - ◆ Auto Login DDI/DID
 - ◆ Auto Login TRG No.
 - ◆ Auto Login DDI/DID, TRG No. Password Entry Requirement
 - ◆ Auto Login Toll Saver

Feature Manual References

- 20.1.86 Unified Messaging—Toll Saver

Operating Manual References

Subscriber Operation

- 1.6.6 Other Features—◆◆ Assigning Your Telephone Numbers for Remote Automatic Log-in and Toll Saver

20.1.9 Unified Messaging—Automatic Two-way Recording for Manager

Description

Calls to and from specified extensions can be automatically recorded to a mailbox. Extensions are assigned to a supervisor, who can listen to the recorded messages through Web Maintenance Console. For each targeted extension, the following types of calls can be recorded:

- Intercom (internal) calls
- CO line (external) calls
- Incoming ICD group calls only (i.e., when recording CO line calls, limit recording to incoming ICD group calls only)

Recorded conversations are treated as new messages in the dedicated mailbox.

The period within which calls are recorded can be set through system programming.

Note

You should inform the other party that the conversation will be recorded.

Conditions

- KX-NSU002 (Activation Key for Two-way Recording Control) is required to use this feature. One activation key is required for each UM group (i.e., site) where a mailbox has been specified as the recording destination for this feature.
- Mailboxes specified as the recording destination become dedicated Automatic Two-way Recording mailboxes. It is not possible to record messages to these mailboxes through other means, and subscribers cannot log in to them.
- Forwarded calls and calls retrieved from being on hold will also be automatically recorded. However, conference calls will not be recorded.
- A call between 2 extensions connected via QSIG (TIE) is treated as an external call (regardless of whether KX-NSN002 [Activation Key for QSIG Network] is installed). To record these types of calls, CO line (external) calls must be selected as one of the types of calls to record.
- Recording will automatically stop when the mailbox reaches its capacity. Delete older messages in order to use this feature again.
- If the enabled extension has a Two-way Record button assigned to it, the button will flash during recording. However, that button cannot be used to cancel this feature. The extension cannot cancel this feature through Communication Assistant (CA) either.
- An extension whose conversation is being recorded cannot be the target of the following features:
 - Executive Busy Override (→ 6.1.5 Executive Busy Override)
 - Call Monitor (→ 4.1.6 Call Monitor)
 - Whisper OHCA (→ 22.1.4 Whisper OHCA)
- Conversations recorded with this feature are backed up via System Backup/Restore (→ 20.1.81 Unified Messaging—System Backup/Restore).

PC Programming Manual References

7.10 Utility—Automatic Two-way Recording

8.3 Users—Automatic Two-way Recording

12.1.1 PBX Configuration—[4-1-1] Extension—Wired Extension—Extension Settings—UM—◆ Two-way Recording

12.2.1 PBX Configuration—[4-2-1] Extension—Portable Station—Extension Settings—UM—◆ Two-way Recording

Operating Manual References

Manager Operation

3.2.1 User Programming—◆◆ Automatic Two-way Recording for Manager

20.1.10 Unified Messaging—Autoplay New Message

Description

It is possible to play new messages automatically when a subscriber or the System Manager/Message Manager logs into his or her mailbox. There is no need to press [1] to receive the new messages.

Conditions

- If there is more than one new message in the mailbox, it can be set whether or not messages will be played continuously without system prompts.
→ 21.1 UM Configuration—[2] Class of Service—Mailbox—◆ Play New Messages Sequentially

PC Programming Manual References

21.1 UM Configuration—[2] Class of Service—Mailbox—◆ Autoplay New Message

20.1.11 Unified Messaging—Bookmark

Description

Enables a subscriber to set one bookmark per message while pausing a message. After setting a bookmark, a subscriber can listen to the message from that bookmark by pressing the specified key while pausing the message or after the message was played.

Operating Manual References

Subscriber Operation

1.6.3 Message Playback and Related Features—◆◆ Bookmarks (Voice Messages only)

20.1.12 Unified Messaging—Broadcasting Messages

Description

Allows the System Manager to deliver the same message to the mailboxes of all subscribers simultaneously. Broadcast Messages have priority over other regular or urgent messages during playback, but otherwise are treated like regular messages. They are not treated as "Urgent" messages; if "Only Urgent Messages" is selected as the Notification Type in the Notification Schedule, the Message Waiting Notification is not activated when a Broadcast Message is received.

Conditions

- This feature is only available for the System Manager.

Operating Manual References

Manager Operation

2.2.1 System Manager Features—◆◆ Broadcasting Messages

20.1.13 Unified Messaging—Call Services

Description

Include a series of both incoming and outgoing call services.

Incoming Call Services: Automated Attendant service, Voice Mail service, Interview service, Custom Service.

Outgoing Call Services: Message Waiting Notification and External Message Delivery.

PC Programming Manual References

22.1 UM Configuration—[3-1] UM Extension / Trunk Service—Service Group

→◆ Day, Night, Lunch, and Break Mode - Incoming Call Service

→◆ Day, Night, Lunch, and Break Mode - Incoming Call Service Parameter

→◆ Day, Night, Lunch, and Break Mode - Incoming Call Service Prompt

20.1.14 Unified Messaging—Call Transfer Scenario

Description

By combining the settings for Call Transfer and Incomplete Call Handling, you can create a call handling "scenario" for your extension. Up to 20 scenarios can be created, and a scenario can be assigned to each absent message.

PC Programming Manual References

8.1.1 Users—User Profiles—Advanced setting—Advanced Call Transfer Setting

8.1.1 Users—User Profiles—Advanced setting—Scenario Setting

Feature Manual References

2.1.1 Absent Message

20.1.15 Unified Messaging—Call Transfer Status

20.1.46 Unified Messaging—Incomplete Call Handling Service

20.1.15 Unified Messaging—Call Transfer Status

Description

Allows subscribers to specify how the Unified Messaging system will handle calls to their individual extensions.

Call Transfer Status options include: Call Blocking, Call Screening, Intercom Paging, Transfer to Mailbox, Transfer to Specified Telephone Number, and Custom Service.

PC Programming Manual References

20.1.2 UM Configuration—[1-2] Mailbox Settings—Full Setting—◆ Call Transfer Status

Feature Manual References

20.1.48 Unified Messaging—Intercom Paging

20.1.16 Unified Messaging—Call Transfer to Outside

Description

Enables the Unified Messaging system to transfer a call to a CO line from the following services:

- Custom Service
- Call Transfer Service
- Personal Custom Service
- Caller ID Callback
- Call-through Service

Conditions

- This feature cannot be used when COS programming does not allow incoming CO line calls to be transferred to a CO line.

PC Programming Manual References

21.1 UM Configuration—[2] Class of Service—Call Transfer—◆ Call Transfer to Outside

24.4 UM Configuration—[5-4] System Parameters—Parameters—Transfer to Outside

Operating Manual References

Subscriber Operation

1.6.5 Transferring Calls—◆◆ Assigning and Canceling Telephone Numbers for Call Transfer to CO Line

20.1.17 Unified Messaging—Callback Number Entry

Description

Enables the caller to leave a callback number in several different ways depending upon which option is programmed into the Unified Messaging system.

PC Programming Manual References

20.1.2 UM Configuration—[1-2] Mailbox Settings—Full Setting—Notification Parameters

24.4 UM Configuration—[5-4] System Parameters—Parameters—Dialing Parameters/MSW Notification

Operating Manual References

Manager Operation

2.2.2 Message Manager Features—◆◆ Setting Up Message Waiting Notification

20.1.18 Unified Messaging—Caller ID Call Routing

Description

Allows the System Administrator to store a maximum of 200 telephone numbers and assign a specific destination (extension, mailbox, Mailbox Group, or Custom Service) to each telephone number for each time mode (day, night, lunch, and break). When Caller ID information is received that matches one of the stored telephone numbers, the call is automatically directed to its destination. Calls that are "Private" (when the caller's number is not received), "Out of Area" (when the caller is calling from an area that does not support Caller ID), and "Long Distance" (when the caller made a long distance call) can also be directed to a specific extension, mailbox or Custom Service.

Conditions

- The Company Greetings will not be played for callers when calls are routed by this feature.

PC Programming Manual References

23.1 UM Configuration—[4-1] Service Settings—Caller ID / PIN Call Routing

20.1.19 Unified Messaging—Caller ID Callback

Description

Enables a subscriber to call back a message sender with the Caller ID number attached to the message.

PC Programming Manual References

21.1 UM Configuration—[2] Class of Service—Mailbox—◆ Caller ID Callback

24.4 UM Configuration—[5-4] System Parameters—Parameters—Transfer to Outside—◆ Trunk Group (1–96)—Caller ID Callback

Feature Manual References

20.1.16 Unified Messaging—Call Transfer to Outside

20.1.20 Unified Messaging—Caller ID Screening

Description

Allows the Unified Messaging system to announce the name of the caller when transferring a call to an extension from a preprogrammed caller (e.g., "You have a call from [name of caller]."). Caller names must be recorded beforehand. Caller names can be recorded by each subscriber (Caller Name Announcement—Personal) and for the entire system (Caller Name Announcement—System).

PC Programming Manual References

21.1 UM Configuration—[2] Class of Service—Call Transfer—◆ Caller ID Screen

Feature Manual References

20.1.21 Unified Messaging—Caller Name Announcement

Operating Manual References

Manager Operation

2.2.1 System Manager Features—◆◆ Setting Class of Service (COS) Parameters

20.1.21 Unified Messaging—Caller Name Announcement

Description

Allows you to store telephone numbers and record a caller name for each telephone number. The caller name is announced when playing a message in their mailbox from one of the preprogrammed callers, when the system directs a call to the subscriber from one of the preprogrammed callers (Caller ID Screening), and when the system pages the subscriber by intercom (Intercom Paging).

There are 2 types of Caller Name Announcement.

- **Caller Name Announcement—Personal**
Allows subscribers to store a maximum of 30 telephone numbers using a telephone.
- **Caller Name Announcement—System**
Allows the System Administrator to store a maximum of 200 telephone numbers using a PC.

Conditions

- If the same telephone number is programmed for both the system and personal caller name announcement, the personal caller name will be announced.

PC Programming Manual References

21.1 UM Configuration—[2] Class of Service—Mailbox—◆ Number of CIDs for Caller Name Announcement (Selection)

24.3 UM Configuration—[5-3] System Parameters—System Caller Name Announcement

Operating Manual References

Subscriber Operation

1.6.6 Other Features—◆◆ Personal Caller Name Announcement

Manager Operation

2.2.1 System Manager Features—◆◆ Setting Class of Service (COS) Parameters

2.2.2 Message Manager Features—◆◆ Recording Messages—To record system caller names

20.1.22 Unified Messaging—Call-through Service

Description

Allows subscribers to make outside calls by accessing the subscriber service menu (from an outside telephone) and dialing an outside destination. This creates a CO line-to-CO line call.

PC Programming Manual References

- 21.1 UM Configuration—[2] Class of Service—◆ Call-through Service
- 24.4 UM Configuration—[5-4] System Parameters—Parameters—Transfer to Outside—◆ Outside Transfer Sequence—Call Transfer to Outside Sequence (Up to 16 digits / [0-9 * # D F R T , ; N])

Feature Manual References

- 5.1.9 DISA (Direct Inward System Access)

Operating Manual References

Subscriber Operation

- 1.6.6 Other Features—◆◆ Call-through Service

20.1.23 Unified Messaging—Class of Service (COS)

Description

Each mailbox is assigned a Class of Service (COS) that determines the set of services that are available to its subscriber.

Mailboxes can be assigned to their own or to the same COS as needed. COS No. 63 and 64 are assigned by default to the Message Manager and to the System Manager, respectively. No other mailboxes can be assigned to COS No. 63 and 64.

Conditions

- The System Administrator (using a PC) and the System Manager (using a telephone) can change COS assignments.

PC Programming Manual References

- 20.1.2 UM Configuration—[1-2] Mailbox Settings—Full Setting—◆ Class of Service (Mailbox)
Section 21 UM Configuration—[2] Class of Service

20.1.24 Unified Messaging—Company Greeting

Description

Is a prerecorded message designed to greet all incoming callers and provide relevant information. A maximum of 32 Company Greetings can be recorded, and a Company Greeting can be assigned for each time mode (day, night, lunch, and break) and holiday for each Service Group. The start time of morning greeting, afternoon greeting, and evening greeting can be set.

Conditions

- The System Manager can change the Company Greeting setting remotely by simply calling the Unified Messaging system.
- The System Administrator can assign specific greetings for holidays.

PC Programming Manual References

- 22.1 UM Configuration—[3-1] UM Extension / Trunk Service—Service Group—◆ Day, Night, Lunch, and Break Mode - Company Greeting No. (Selection)
- 23.4 UM Configuration—[4-4] Service Settings—Holiday Table—◆ Company Greeting No.
- 24.4 UM Configuration—[5-4] System Parameters—Parameters—Daily Hours Setting

Operating Manual References

Subscriber Operation

- 1.6.4 Sending Messages—◆◆ Receiving External Delivery Messages

Manager Operation

- 2.2.1 System Manager Features—◆◆ Changing the Company Greeting and Incoming Call Service Setting
- 2.2.2 Message Manager Features—◆◆ Recording Messages

20.1.25 Unified Messaging—Company Name

Description

Is used by External Message Delivery Service when the intended receiver enters the password incorrectly 3 times. The Unified Messaging system announces the Company Name so that the receiver realizes what company placed the call to him or her.

Operating Manual References

Manager Operation

- 2.2.2 Message Manager Features—◆◆ Recording Messages

20.1.26 Unified Messaging—Covering Extension

Description

Forwards calls to a second extension when the first extension's subscriber is not available to take the call. The caller can also access the Covering Extension by pressing [0] while a Personal Greeting is being played, or while leaving a message.

PC Programming Manual References

- 20.1.2 UM Configuration—[1-2] Mailbox Settings—Full Setting—◆ Covering Extension

Operating Manual References

Subscriber Operation

- 1.6.5 Transferring Calls—◆◆ Assigning Your Covering Extension

20.1.27 Unified Messaging—Custom Service

Description

The following Custom Service types are available:

- **Menu & Transfer**
Allow callers to perform specific functions by pressing dial buttons on their telephones while listening to voice guidance (Custom Service Messages). Callers can be guided to an extension, mailbox, outside destinations (including mobile phones), operator, fax machine, other Custom Services etc., without the assistance of an operator.
- **Date Control**
Allow a different operation to be assigned for up to 5 time periods defined by date. The caller makes no selection and no menu is announced.
- **Time Control**
Allow a different operation to be assigned for up to 5 time periods defined by time of day. The caller makes no selection and no menu is announced.
- **Day Control**
Allow a different operation to be assigned for up to 5 time periods defined by day of the week. The caller makes no selection and no menu is announced.
- **Password**
Require that callers enter a password. Each password is assigned an operation. If a password is entered correctly, the caller is handled by the password's preprogrammed operation.

Custom Service Messages ("Press 1 for Sales, press 2 for Service...", etc.) can be recorded by the System Administrator or the Message Manager, and can be recorded in multiple languages if needed. In total, a maximum of 200 Custom Services can be created.

Calls can be handled by Custom Service by:

- Setting the Incoming Call Service of a CO line or port to "Custom Service Menu" and specifying a Custom Service number.
→ 22.1 UM Configuration—[3-1] UM Extension / Trunk Service—Service Group—◆ Day, Night, Lunch, and Break Mode - Incoming Call Service
- Setting the call service of a Holiday to "Custom Service Menu" and specifying a Custom Service number.
→ 23.4 UM Configuration—[4-4] Service Settings—Holiday Table—◆ Service
- Using Custom Service or Personal Custom Service. A Custom Service can be assigned to one of the available options provided by another Custom Service or Personal Custom Service. After pressing the appropriate dial key, the caller is sent to assign Custom Service.

Custom Services can be created and edited using the Custom Service Builder utility of Web Maintenance Console.

PC Programming Manual References

7.5.3 Utility—Report—UM View Reports

23.3 UM Configuration—[4-3] Service Settings—Custom Service

Operating Manual References

Manager Operation

2.2.2 Message Manager Features—◆◆ Recording Messages

20.1.28 Unified Messaging—Custom Service Builder

Description

Allows the System Administrator to create Custom Services visually, using Web Maintenance Console. Each Custom Service and its functions can be edited and arranged using this feature.

PC Programming Manual References

23.3 UM Configuration—[4-3] Service Settings—Custom Service

Feature Manual References

20.1.27 Unified Messaging—Custom Service

20.1.29 Unified Messaging—Default Mailbox Template

Description

Is used as a template when the System Administrator creates consecutive mailboxes. It enables the System Administrator to apply basic settings (Mailbox Parameters, Message Waiting Notification, External Message Delivery, Auto Forwarding) to multiple mailboxes simultaneously.

PC Programming Manual References

20.1.2 UM Configuration—[1-2] Mailbox Settings—Full Setting

20.1.30 Unified Messaging—Delete Message Confirmation

Description

It is possible to request confirmation from the subscriber before erasing a message left in the mailbox. When messages are deleted, they will be retained until the time specified in **System Maintenance Start Time** on the following day.

PC Programming Manual References

7.11 Utility—UM - System Maintenance—System Maintenance Start Time

21.1 UM Configuration—[2] Class of Service—Mailbox—◆ Delete Message Confirmation

20.1.31 Unified Messaging—Dialing by Name

Description

Allows the caller to be connected to the desired subscriber's mailbox or extension by searching for the subscriber by name. Using the dialing keys, the caller can enter the first few letters of the subscriber's first and/or last name. The Unified Messaging system searches for possible matches and offers to connect the caller with the subscriber. Subscriber names are included or excluded from the Directory Listing according to their Class of Service (COS).

Conditions

- The System Administrator can change the Name Entry Mode (first, last, or full name entry) in Service Settings.

PC Programming Manual References

- 20.1.2 UM Configuration—[1-2] Mailbox Settings—Full Setting—◆ First Name
- 20.1.2 UM Configuration—[1-2] Mailbox Settings—Full Setting—◆ Last Name
- 21.1 UM Configuration—[2] Class of Service—◆ Directory Listing

20.1.32 Unified Messaging—Direct Service Access

Description

Allows a subscriber to access a feature directly by dialing a Unified Messaging extension number. The following features can be accessed directly:

- Record No Answer Greeting
- Record Busy Greeting
- Record After Hours Greeting
- Record Temporary Greeting
- Change Day Main Menu^{*1}
- Change Night Main Menu^{*1}
- Change Emergency Greeting^{*1}

^{*1} Access to this feature is available only to the Message Manager and to subscribers with Message Manager privileges.

Conditions

- This feature is only available when the Automatic Login feature is enabled.

PC Programming Manual References

- 20.1.2 UM Configuration—[1-2] Mailbox Settings—Full Setting—Remote Call/Automatic Login/Direct Service

20.1.33 Unified Messaging—Emergency Greeting

Description

An emergency greeting can be recorded as one of company greetings. The emergency greeting can be used in times such as when the company must be closed due to bad weather.

Operating Manual References

Manager Operation

- 2.2.2 Message Manager Features—◆◆ Recording an Emergency Greeting

20.1.34 Unified Messaging—Extension Group

Description

An Extension Group is a group of extensions that share a common mailbox. Extension Groups are created by the System Administrator. Each group has an Extension Group number. There are 20 group lists available, and each group list can have a maximum of 100 members.

PC Programming Manual References

24.2 UM Configuration—[5-2] System Parameters—Extension Group

20.1.35 Unified Messaging—External Message Delivery Service

Description

Allows a subscriber to send a message to several subscribers and non-subscribers (including outside parties) at a specified time (or immediately). This feature also allows the receiver to reply to the message without having to specify the mailbox number.

Further, an External Message Delivery List allows a subscriber to send a message to multiple parties with a single operation. One subscriber can maintain up to 2 lists with a maximum of 8 entries in each.

Also, it is possible to require the receiver to enter a 4-digit password to receive the sender's message. If the receiver enters the password incorrectly 3 times, the Unified Messaging system plays: the Company Name (if it has been recorded), the Company's Telephone Number (if registered), and the sender's extension (if both the Company's Telephone Number and the Extension of the Owner have been registered). With this information, the receiver can track down the message even if he or she does not remember the password.

PC Programming Manual References

20.1.2 UM Configuration—[1-2] Mailbox Settings—Full Setting—◆ Extension

20.1.2 UM Configuration—[1-2] Mailbox Settings—Full Setting—External MSG Delivery/Auto FWD/Personal Custom Serv

→◆ External Message Delivery Active

→◆ External Message Delivery Prompt Mode

24.4 UM Configuration—[5-4] System Parameters—Parameters—External Message Delivery

Operating Manual References

Subscriber Operation

1.6.4 Sending Messages

→◆◆ External Message Delivery

→◆◆ External Message Delivery Lists

→◆◆ Receiving External Delivery Messages

20.1.36 Unified Messaging—Fax Cover Page

Description

If enabled through system programming, a cover page will be added to a fax before the fax is sent. A cover page is added when a fax is sent with the following features:

- Automatic Delivery (→ 20.1.7 Unified Messaging—Automatic Fax Delivery)

- Fax Resend^{*1} (→ 20.1.77 Unified Messaging—Send to Fax Machine)
 - Sending a Fax from a Computer (→ 20.1.37 Unified Messaging—Fax Driver)
- *1 A cover page is not added if the subscriber is calling from a fax machine and is sending the fax to that machine.

The cover page contains the following information:

- Date and time the fax was sent
- Subscriber's name
→ 20.1.2 UM Configuration—[1-2] Mailbox Settings—Full Setting—Mailbox Parameters—◆ First Name/
◆ Last Name
- System name
→ 24.4 UM Configuration—[5-4] System Parameters—Parameters—Fax Management—◆ Fax
Properties—System Name (Up to 25 characters)
- System fax number
→ 24.4 UM Configuration—[5-4] System Parameters—Parameters—Fax Management—◆ Fax
Properties—System Fax Number (Max. 20 digits)
- Number of pages in the fax (not including the cover sheet)

The language of the cover sheet can be specified through system programming.

→ 20.1.2 UM Configuration—[1-2] Mailbox Settings—Full Setting—Fax Options—◆ Cover Page Language

Conditions

- When sending a fax from a computer, the cover page's contents can be customized. For details, refer to the fax driver's documentation.

PC Programming Manual References

24.4 UM Configuration—[5-4] System Parameters—Parameters—Fax Management—◆ Fax
Properties—Cover Page

20.1.37 Unified Messaging—Fax Driver

Description

Subscribers who install the fax printer driver can send faxes from their computer using the standard "print" function of an application.

A link to where users can download the fax printer driver is provided in Web Maintenance Console.

→ "Unified Message—Fax Driver Tool" in 8.2.1 Users—Add User—Single User

Conditions

- For details about the fax driver, refer to the driver's documentation.

Operating Manual References

1.6.6 Other Features—◆◆ Sending a Fax from your PC

20.1.38 Unified Messaging—Fax Server

Description

If an optional fax interface card is installed on the mother board, the PBX can receive, distribute, and send faxes. Received faxes can be saved in mailboxes and then forwarded, printed, downloaded, etc. Also, subscribers, the Message Manager, and the System Manager can send faxes.

The Unified Messaging system can be configured to receive faxes in the following ways:

Method	Explanation
Trunk/port service	<p>Setting the incoming call service of a service group to fax service and then assigning the service group to a port allows faxes to be received at that port. The mailbox to which faxes are forwarded must also be specified.</p> <p>→ 22.1 UM Configuration—[3-1] UM Extension / Trunk Service—Service Group—◆ Day, Night, Lunch, and Break Mode - Incoming Call Service</p>
Caller ID/PIN routing	<p>Setting the transfer destination for caller ID routing or PIN routing to fax service allows faxes to be received from the specified phone number. The mailbox to forward faxes to must also be specified.</p> <p>→ 23.1 UM Configuration—[4-1] Service Settings—Caller ID / PIN Call Routing—◆ Call Transfer for Day, Night, Lunch, and Break service</p> <p>→ 23.1 UM Configuration—[4-1] Service Settings—Caller ID / PIN Call Routing—◆ Call Transfer for Day, Night, Lunch, and Break service</p>
DIL/DID routing	<p>Routing a call to the Unified Messaging system via DIL/DID and assigning that entry a UM service group (→ 20.1.78 Unified Messaging—Service Group) whose service type is Fax allows faxes to be received through that line.</p> <p>→ 18.2 PBX Configuration—[10-2] CO & Incoming Call—DIL Table & Port Settings—DIL—◆ UM Service Group No.</p> <p>→ 18.3 PBX Configuration—[10-3] CO & Incoming Call—DDI / DID Table—◆ UM Service Group No.</p>
Custom service	<p>Setting the service type for a custom service to fax service allows faxes to be received through that custom service. The mailbox to forward faxes to must also be specified.</p> <p>→ 23.3 UM Configuration—[4-3] Service Settings—Custom Service</p>
Top menu of a call service	<p>If a fax tone is detected at the top menu of a call service, the fax is received and then saved in a specified mailbox.</p> <p>→ 24.4 UM Configuration—[5-4] System Parameters—Parameters—Fax Management</p>

Method	Explanation
During playback of personal message, or during message recording	If a fax tone is detected while a subscriber's personal message is being played or while a message is being recorded, the fax can be received at that mailbox. If the sender leaves a voice message before sending the fax, the voice message is attached to the fax as a voice comment.
DISA	If a DISA line detects a fax tone and forwards the call to the UM group's floating extension number (→ 2.1.6 Automatic Fax Transfer), the call is forwarded to a specified mailbox. → 24.4 UM Configuration—[5-4] System Parameters—Parameters—◆ Mailbox for Fax Receiving

Conditions

- **Hardware requirement:**
FAX Card (KX-NS0106)
 - COS programming determines which subscribers/mailboxes can send and receive faxes.
 - A header is added to each page, except the cover page¹, of all sent faxes. Through system programming, it can be specified whether the sender's information (system fax number) or the recipient's information (name or fax number) is included in the header.
→ 24.4 UM Configuration—[5-4] System Parameters—Parameters—Fax Management—◆ Fax Properties—Printed Information
 - Fax activity is recorded in the fax report. (→ 20.1.83 Unified Messaging—System Reports)
 - **Error handling**
Through system programming, it can be specified whether a fax is retransmitted if an error occurs while sending a fax.
→ 24.4 UM Configuration—[5-4] System Parameters—Parameters—Fax Management—◆ Fax Properties—Page Retransmission
- ¹ If the fax is sent from a computer (→ 20.1.37 Unified Messaging—Fax Driver), the header is printed on the cover page as well.

Installation Manual References

4.3.4 FAX Card (KX-NS0106)

PC Programming Manual References

5.3 System Control—FAX Card
 9.5.2 PBX Configuration—[1-1] Configuration—Slot—Site Property—FAX Card
 20.1.2 UM Configuration—[1-2] Mailbox Settings—Full Setting—Fax Options
 21.1 UM Configuration—[2] Class of Service—General—◆ Fax Option
 24.4 UM Configuration—[5-4] System Parameters—Parameters—Fax Management

Feature Manual References

20.1.7 Unified Messaging—Automatic Fax Delivery
 20.1.60 Unified Messaging—Message Waiting Notification—Telephone Device
 20.1.77 Unified Messaging—Send to Fax Machine
 20.1.37 Unified Messaging—Fax Driver
 20.1.61 Unified Messaging—Microsoft Outlook Integration

20.1.39 Unified Messaging—Fax Service

Description

Allows faxes to be received and stored in a specified mailbox.

Calls reach Fax service when:

- a. The Incoming Call Service of a trunk group or port is set to "Fax Service".
→ 22.1 UM Configuration—[3-1] UM Extension / Trunk Service—Service Group—◆ Day, Night, Lunch, and Break Mode - Incoming Call Service
- b. The Caller ID Call Transfer setting of Caller ID/PIN routing is set to "Fax Service".
→ 23.1 UM Configuration—[4-1] Service Settings—Caller ID / PIN Call Routing
- c. The Incoming Call Service of a service group assigned to a DIL/DID entry is set to "Fax Service".
→ 18.2 PBX Configuration—[10-2] CO & Incoming Call—DIL Table & Port Settings—DIL—◆ UM Service Group No.
→ 18.3 PBX Configuration—[10-3] CO & Incoming Call—DDI / DID Table—◆ UM Service Group No.
- d. The service type of a Custom Service is set to "Fax Service".
→ 23.3 UM Configuration—[4-3] Service Settings—Custom Service

Conditions

- An interview mailbox cannot be specified as the mailbox for storing faxes.

PC Programming Manual References

Section 22 UM Configuration—[3] UM Extension / Trunk Service

20.1.40 Unified Messaging—Forwarding to a Mailbox

Description

A subscriber can set calls to be forwarded to the floating extension number of the UM group. In this case, the call is forwarded directly to the extension's mailbox. Therefore the caller can leave a message without knowing the mailbox number.

Feature Manual References

7.1.6 FWD (Call Forwarding)

20.1.41 Unified Messaging—Group Distribution Lists

Description

There are 2 types of Group Distribution Lists:

- **Group Distribution List—Personal**
Allows a subscriber to simultaneously send a message to several mailboxes. These lists can be created or edited by the System Administrator and by the subscriber. Each subscriber can maintain a maximum of 4 lists with up to 40 entries in each list.
- **Group Distribution List—System**
Also called "Mailbox Groups".

Allows subscribers and callers to send messages to all mailboxes that belong to the list at once. These lists are created by the System Administrator. There are 20 group lists available, and each group list can have a maximum of 200 members.

PC Programming Manual References

- 20.1.2 UM Configuration—[1-2] Mailbox Settings—Full Setting—Personal Distribution List
- 24.1 UM Configuration—[5-1] System Parameters

Operating Manual References

Subscriber Operation

- 1.6.4 Sending Messages—◆◆ Personal Group Distribution Lists

Manager Operation

- 2.2.1 System Manager Features—◆◆ Broadcasting Messages

20.1.42 Unified Messaging—Hold

Description

Provides the caller with the option of temporarily going on hold when the called extension is busy. The Unified Messaging system automatically recalls the extension after a specified period of time. When several callers are holding for the same extension, callers are connected to the extension in the order in which they originally called.

PC Programming Manual References

- 23.1 UM Configuration—[4-1] Service Settings—Caller ID / PIN Call Routing—23.2 UM Configuration—[4-2] Service Settings—Parameters—◆ Call Hold Mode

20.1.43 Unified Messaging—Holiday Service

Description

Allows the system to override the normal settings assigned for the appropriate trunk service or port service by playing a special holiday greeting. (e.g., "Happy New Year! Our office is closed today. If you wish to record a message, please press 1 now".) A maximum of 24 holidays can be programmed. A holiday can be a specific day or range of days.

Conditions

- Holidays cannot overlap with each other.
- The holidays stored in the Unified Messaging holiday table are managed separately from those in the holiday table used for Time Service (→ 19.1.3 Time Service). However, holidays specified in the Time Service holiday table can be copied to the Unified Messaging holiday table.

PC Programming Manual References

- 23.4 UM Configuration—[4-4] Service Settings—Holiday Table

20.1.44 Unified Messaging—Hospitality Mode

Description

Allows a subscriber to access certain subscriber services in a dedicated, 'hospitality' mode. Subscribers in hospitality mode can listen to messages, change the password, change personal greetings, and change the owner's name, if enabled to do so through system programming. Also, it is possible to set whether the password, personal greeting and owner name settings are deleted upon check-out.

PC Programming Manual References

21.1 UM Configuration—[2] Class of Service—Hospitality Mode

Feature Manual References

9.1.4 HOSPITALITY FEATURES

20.1.45 Unified Messaging—IMAP Integration

Description

By configuring an IMAP account, subscribers can access the contents of their mailboxes through an e-mail client. All that is necessary is an e-mail client that supports IMAP4.

With IMAP integration, users can do the following:

- Play back voice messages
- View received fax messages
- Save voice and fax message data to their PCs
- Delete voice and fax messages

Conditions

- KX-NSU201, KX-NSU205, KX-NSU210, KX-NSU220 or KX-NSU299 (Activation Key for Unified Messaging E-mail Notification) is required to use this feature. One activation key is required for each mailbox that will be used with this feature.
- PBX resources are required to access the Unified Messaging system. To reduce the possibility that PBX performance will be affected, the account in the e-mail client that is set up to access the subscriber's mailbox should be set to off-line mode. For details about off-line mode, refer to the e-mail client's documentation.
- New voice messages and fax messages can be sent as attachments to e-mails to a separate e-mail account (→ 20.1.58 Unified Messaging—Message Waiting Notification—E-mail Device).
- A tool for users to help manage IMAP connections in Microsoft Outlook is available. A link to where users can download the tool is provided in Web Maintenance Console.
→ "Unified Message—Unified Messaging Plug in" in 8.2.1 Users—Add User—Single User

Installation Manual References

5.11 Programming E-mail Integration for UM Voice/Fax Messages

PC Programming Manual References

- 20.1.2 UM Configuration—[1-2] Mailbox Settings—Full Setting—Mailbox Parameters—◆ Mailbox Password (Message client)
- 21.1 UM Configuration—[2] Class of Service—General
 - ◆ Fax Option
 - ◆ Desktop Messaging

Operating Manual References

Subscriber Operation

- 1.6.6 Other Features—◆◆ IMAP

20.1.46 Unified Messaging—Incomplete Call Handling Service

Description

Allows the subscriber to offer callers several service options when the extension is busy or there is no answer. Options available for Incomplete Call Handling for Busy or No Answer are:

- Leaving a Message
- Transfer to Covering Extension
- Returning to the Automated Attendant Top Menu
- Intercom Paging
- Custom Service
- Calling Operators

PC Programming Manual References

- 20.1.2 UM Configuration—[1-2] Mailbox Settings—Full Setting
 - ◆ Incomplete Call Handling for No Answer
 - ◆ Incomplete Call Handling for Busy

Feature Manual References

- 20.1.48 Unified Messaging—Intercom Paging

Operating Manual References

Subscriber Operation

- 1.6.5 Transferring Calls—◆◆ Incomplete Call Handling

20.1.47 Unified Messaging—Intercept Routing to a Mailbox

Description

If the Intercept Routing destination is set to the floating extension number of the UM group, and the "Intercept to Mailbox" setting is enabled through system programming, intercepted CO line calls will be redirected to the extension's mailbox. Therefore the caller can leave a message in the mailbox of the extension without knowing the mailbox number.

PC Programming Manual References

11.7.1 PBX Configuration—[3-7-1] Group—UM Group—System Settings—◆ Intercept to Mailbox

Feature Manual References

10.1.11 Intercept Routing

20.1.48 Unified Messaging—Intercom Paging

Description

Allows callers to page subscribers when the subscribers have set Intercom Paging for Call Transfer or when the subscribers have set Intercom Paging for Incomplete Call Handling. The caller is briefly placed on hold while the system announces the page and until the subscriber answers the page. The subscriber can answer the page from any extension using the paging answer feature number. If Caller ID information is received and the caller's name has been recorded for the Caller Name Announcement feature, the name will be announced at the end of the page.

To utilize this feature, the following settings are necessary:

1. Assign an Intercom Paging Group to the desired Class of Service.
→ 21.1 UM Configuration—[2] Class of Service—Call Transfer—◆ Intercom Paging Group
2. Set "No Answer Time for Intercom Paging" to the desired setting.
→ 24.4 UM Configuration—[5-4] System Parameters—Parameters—◆ No Answer Time for Intercom Paging (1-30 s)

PC Programming Manual References

21.1 UM Configuration—[2] Class of Service—Call Transfer—◆ Intercom Paging Group

24.4 UM Configuration—[5-4] System Parameters—Parameters—Intercom Paging Parameters

Feature Manual References

15.1.1 Paging

20.1.49 Unified Messaging—Interview Service

Description

Allows the Unified Messaging system to "interview" a caller by playing a series of prerecorded questions and recording the caller's responses.

As the callers answer questions, they are recorded into an interview mailbox.

- After a caller records the answers, the interview mailbox lights a message waiting lamp on the interview mailbox owner's extension.
- When retrieving the messages, the subscriber only hears the answers to the questions.

In order to use Interview service, at least one interview mailbox must be created in the system.

→ 20.1.2 UM Configuration—[1-2] Mailbox Settings—Full Setting

Callers will reach an interview mailbox when:

- a. The Incoming Call Service of a CO line or port is set to "Interview Mailbox".
→ 22.1 UM Configuration—[3-1] UM Extension / Trunk Service—Service Group—◆ Day, Night, Lunch, and Break Mode - Incoming Call Service
- b. The call service of a Holiday is set to "Interview Mailbox".

- 23.4 UM Configuration—[4-4] Service Settings—Holiday Table—◆ Service
- c. A Custom Service or Personal Custom Service option is set to transfer callers to an interview mailbox.
 - 23.3 UM Configuration—[4-3] Service Settings—Custom Service
 - 20.1.2 UM Configuration—[1-2] Mailbox Settings—Full Setting—External MSG Delivery/Auto FWD/Personal Custom Serv—◆ Personal Custom Service
- d. A subscriber has configured his or her mailbox so that unanswered calls are directed to the mailbox's interview mailbox via Incomplete Call Handling, and has set Message Reception Mode to "Interview Mode".
 - 1.6.6 Other Features—◆◆ Interview Mailbox—Message Reception Mode
- e. A subscriber with a logical extension has set Message Reception Mode to "Interview Mode".
 - 1.6.6 Other Features—◆◆ Interview Mailbox—Message Reception Mode
- f. A subscriber transfers the caller to an interview mailbox.

PC Programming Manual References

20.1.2 UM Configuration—[1-2] Mailbox Settings—Full Setting—◆ Interview Mailbox

Operating Manual References

Subscriber Operation

1.6.6 Other Features—◆◆ Interview Mailbox

Manager Operation

2.2.1 System Manager Features—◆◆ Setting Up Mailboxes

20.1.50 Unified Messaging—List All Names

Description

Allows callers to listen to a list of all subscribers' names and extension numbers in Automated Attendant service or Custom Service.

Conditions

- This feature is only available when:
 - a. The subscriber's name has been recorded.
 - b. The subscriber's extension number is set.
 - c. The "Directory Listing" parameter for the subscriber's Class of Service is set to "Yes".
- To return to the previous menu in Automated Attendant service or Custom Service, press ✖.

Feature Manual References

20.1.6 Unified Messaging—Automated Attendant (AA)

20.1.27 Unified Messaging—Custom Service

20.1.51 Unified Messaging—Live Call Screening (LCS)

Description

Allows the subscriber to monitor incoming calls as messages are being recorded. The subscriber has the option of answering calls while monitoring or allowing the message to be recorded without interruption. There are 2 modes in this feature: Hands-free and Private. Hands-free mode allows the subscriber to hear the caller through the telephone's speaker and answer the call by lifting the handset. Private mode alerts with a tone and requires the telephone handset to be lifted before the message can be monitored. The subscriber can talk to the caller by pressing the LCS button on his or her proprietary telephone (if programmed).

Conditions

- This feature is not available for SIP extensions.
- **LCS Button**
A flexible button can be customized as the LCS button.
- **Extension Personal Identification Number (PIN)**
To prevent unauthorized monitoring, it is recommended the LCS user assign an extension PIN. This PIN will be required when setting LCS (→ 6.1.8 Extension PIN (Personal Identification Number)). If the user forgets the PIN, it can be cleared by an extension assigned as the manager.
- Each extension can be programmed to either end recording or continue recording the conversation after the call is intercepted, through personal programming (LCS Mode Set [After Answering]).
- To use the LCS feature on a PS in Wireless XDP Parallel Mode, LCS can only be turned on or off from the wired telephone. In Wireless XDP Parallel Mode, setting LCS on/off from the PS has no effect. (→ 22.1.5 Wireless XDP Parallel Mode)

PC Programming Manual References

- 12.1.1 PBX Configuration—[4-1-1] Extension—Wired Extension—Extension Settings—Option 4
- 12.2.1 PBX Configuration—[4-2-1] Extension—Portable Station—Extension Settings—Option 4
- 21.1 UM Configuration—[2] Class of Service—Mailbox—◆ Message Cancel for Live Call Screening

Feature Manual References

- 7.1.3 Flexible Buttons

Operating Manual References

Subscriber Operation

- 1.6.6 Other Features—◆◆ Live Call Screening (LCS)

Manager Operation

- 2.2.1 System Manager Features—◆◆ Setting Class of Service (COS) Parameters

20.1.52 Unified Messaging—Logical Extension (All Calls Transfer to Mailbox)

Description

Is an extension that always receives calls directly into its mailbox. This feature is used by subscribers that are often unavailable or that do not have a telephone.

PC Programming Manual References

20.1.2 UM Configuration—[1-2] Mailbox Settings—Full Setting—◆ All Calls Transfer to Mailbox

Operating Manual References

Manager Operation

2.2.1 System Manager Features—◆◆ Setting Up Mailboxes

20.1.53 Unified Messaging—Mailbox

Description

Is a place where all messages left for a subscriber are stored. Several mailbox options exist: Subscriber mailbox, Interview Mailbox, System Manager's mailbox, and Message Manager's mailbox (General Delivery Mailbox).

Installation Manual References

5.12 Automatic Configuration of User Profiles and Mailboxes

PC Programming Manual References

7.5.3 Utility—Report—UM View Reports
Section 20 UM Configuration—[1] Mailbox Settings

Feature Manual References

20.1.92 Unified Messaging—User Profiles and Mailbox Auto Configuration

Operating Manual References

Subscriber Operation

1.6.2 Logging in to and Configuring Your Mailbox

Manager Operation

2.2.1 System Manager Features—◆◆ Setting Up Mailboxes

20.1.54 Unified Messaging—Mailbox Capacity Warning

Description

Allows the Unified Messaging system to alert subscribers when recording time for their mailboxes is running low. The warning announcement will be heard at the beginning of Subscriber's Service.

Conditions

- If the setting is longer than the Mailbox Capacity Maximum Message Time, this feature is not available.

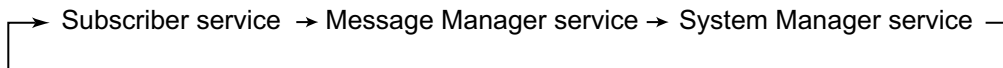
PC Programming Manual References

- 21.1 UM Configuration—[2] Class of Service—Mailbox
 - ◆ Mailbox Capacity Warning (Selection)
 - ◆ Mailbox Capacity Maximum Message Time (Limited) (min)

20.1.55 Unified Messaging—Manager Service Switching

Description

Allows a subscriber to access the System Manager's mailbox and Message Manager's mailbox. Subscribers that have this feature enabled through Class of Service (COS) programming can switch mailboxes simply by pressing [#] twice from the subscriber service menu, in the following order:



Conditions

- If another user is already using the manager service, the subscriber will hear an error tone and cannot access that service.

PC Programming Manual References

- 21.1 UM Configuration—[2] Class of Service—◆ System Manager Authority
- 21.1 UM Configuration—[2] Class of Service—◆ Message Manager Authority

20.1.56 Unified Messaging—Message Reception Mode

Description

Determines whether incoming calls are directed to the subscriber's regular mailbox or interview mailbox. This mode is effective for Incomplete Call Handling Service (when the subscriber's line is busy, when the subscriber cannot take the call, or when the subscriber has enabled Call Blocking), and when the transfer destination of calls is set to a Logical Extension.

PC Programming Manual References

- 20.1.2 UM Configuration—[1-2] Mailbox Settings—Full Setting—◆ All Calls Transfer to Mailbox

Feature Manual References

- 20.1.49 Unified Messaging—Interview Service
- 20.1.52 Unified Messaging—Logical Extension (All Calls Transfer to Mailbox)

Operating Manual References

Subscriber Operation

- 1.6.6 Other Features—◆◆ Interview Mailbox—Message Reception Mode

20.1.57 Unified Messaging—Message Transfer

Description

Allows the subscriber to transfer messages to other mailboxes after listening to them. The subscriber can also add a personal comment at the beginning of the message before transferring it. One or more individual mailboxes can be specified for message transfer. Messages can also be transferred using either the System or Personal Group Distribution Lists.

Operating Manual References

Subscriber Operation

1.6.3 Message Playback and Related Features—◆◆ Transferring Messages

Manager Operation

2.2.2 Message Manager Features—◆◆ Managing the General Delivery Mailbox

20.1.58 Unified Messaging—Message Waiting Notification—E-mail Device

Description

Enables subscribers (including the message manager) to be notified by e-mail when they have new messages (both voice and fax). The notification will contain the message sender's information, the length of the message, the number of messages (new/old), and a callback number (if programmed). Subscribers can choose to have the voice message and/or fax data attached to the notification and can also choose to have the message deleted after it has been sent. Up to 3 devices can be configured for receiving notifications.

Note

To receive notifications about missed calls, extension users should specify e-mail addresses in their user settings. (→ 6.1.2 E-mail Notification for Extension Users)

Conditions

- KX-NSU201, KX-NSU205, KX-NSU210, KX-NSU220, or KX-NSU299 (Activation Key for Unified Messaging E-mail Notification) is required to use this feature. One activation key is required for each mailbox that will be used with this feature.
- The System Administrator can enable or disable this feature for each mailbox, and can customize the time frame during which notifications are sent. For example, if the System Administrator sets the time frame for Monday to Friday between 9AM and 5PM, notifications will be sent only during those hours.
- For each device, up to 3 e-mail addresses can be specified. E-mail addresses are separated by commas.
- When sending long voice message notifications, note the following, and confirm the settings.
 - If the voice message is longer than the time specified for "Maximum Message Length", the surplus parts of the message may be discarded when sending the notification.
 - 24.4 UM Configuration—[5-4] System Parameters—Parameters—E-mail Option—◆ Maximum Message Length (Selection)
 - Depending on the settings of the sender and recipient, voice messages may not be sent or received properly.
 - When the Unified Messaging system is programmed to delete messages after they are sent, the message will be deleted even if there is an error and the notification cannot be sent.
- If there are any errors when the system tries to send notifications, error messages will be sent to the preset address.

→ 24.4 UM Configuration—[5-4] System Parameters—Parameters—E-mail Option—◆ Mail Address (Up to 128 ASCII characters)

PC Programming Manual References

7.5.3 Utility—Report—UM View Reports

20.1.2 UM Configuration—[1-2] Mailbox Settings—Full Setting—Notification Parameters

→◆ E-mail/Text Message Device—Device No. 1, 2, 3—User Name

→◆ E-mail/Text Message Device—Device No. 1, 2, 3—E-mail Address

→◆ E-mail/Text Message Device—Device No. 1, 2, 3—Notification Type

→◆ E-mail/Text Message Device—Device No. 1, 2, 3—Only Urgent Messages

→◆ E-mail/Text Message Device—Device No. 1, 2, 3—Title Order

→◆ E-mail/Text Message Device—Device No. 1, 2, 3—Title String

→◆ E-mail/Text Message Device—Device No. 1, 2, 3—Callback Number

→◆ E-mail/Text Message Device—Device No. 1, 2, 3—Send Wait Time [0-120 min]

→◆ E-mail/Text Message Device—Device No. 1, 2, 3—Attach Voice File

→◆ E-mail/Text Message Device—Device No. 1, 2, 3—Attach Fax File

→◆ E-mail/Text Message Device—Device No. 1, 2, 3—Use Mode

21.1 UM Configuration—[2] Class of Service—General

→◆ E-mail Option

→◆ Fax Option

24.4 UM Configuration—[5-4] System Parameters—Parameters—E-mail Option

Feature Manual References

20.1.39 Unified Messaging—Fax Service

6.1.2 E-mail Notification for Extension Users

Operating Manual References

Subscriber Operation

1.6.6 Other Features—◆◆ Message Waiting Notification

→Device Notification:

→To turn Device Notification On/Off

20.1.59 Unified Messaging—Message Waiting Notification—Lamp

Description

Automatically lights the message waiting lamp on the subscriber's telephone when subscribers have new messages. When a proprietary telephone with display is used, the number of unplayed messages will be displayed when the message waiting lamp is lit. When the Message button light turns on, pressing the button allows the subscriber to play back the messages stored in his mailbox without dialing a mailbox number.

Conditions

- In order to display the number of unplayed messages on the display:
 - A compatible Panasonic Proprietary Telephone with 6-line display must be used.
 - The subscriber must have his or her own extension.
 - The Message Manager's extension number must be assigned as Operator 1 in Day Mode.

- Extensions assigned as operators can be called by dialing [0], however, when setting this feature the extension number (not "0") must be specified.

PC Programming Manual References

20.1.2 UM Configuration—[1-2] Mailbox Settings—Full Setting—Notification Parameters—◆ Message Waiting Lamp

Operating Manual References

Subscriber Operation

1.6.6 Other Features—◆◆ Message Waiting Notification

Manager Operation

2.2.2 Message Manager Features—◆◆ Setting Up Message Waiting Notification

20.1.60 Unified Messaging—Message Waiting Notification—Telephone Device

Description

Automatically calls a preprogrammed telephone number when a subscriber has new messages (both voice and fax). New messages will be automatically played back when the subscriber answers the call. Notifications can be scheduled. The System Administrator can program 2 different time frames (for example, 9 AM to 12 PM and 8 PM to 10 PM) independently for each day of the week. Message waiting notifications will be sent on the selected days during the programmed time frames. Notifications can also be sent "continuously", meaning a notification will be sent whenever a new message is received, 24 hours a day.

Conditions

- Notifications can be sent for either all messages or for urgent messages only, depending on whether the "Only Urgent Messages" setting is enabled. When it is enabled, notifications are sent (according to the notification schedule, if programmed) only when urgent messages have been left in the subscriber's mailbox.
- A maximum of 3 devices can be programmed by the System Administrator or subscriber for use with this feature. When the Unified Messaging system calls a device and the call is not answered, the system will try to call the device again. The number of retries and the delay time between retries can be programmed by the System Administrator. The lowest numbered device is called first. If the first device cannot be called, the second (then third) device will be called.

PC Programming Manual References

20.1.2 UM Configuration—[1-2] Mailbox Settings—Full Setting—Notification Parameters

- ◆ Telephone Device
- ◆ Telephone Device—Device No. 1, 2, 3—Notification Type
- ◆ Telephone Device—Device No. 1, 2, 3—Only Urgent Messages
- ◆ Telephone Device—Device No. 1, 2, 3—Dial Number [0-9 * # T X , ;]
- ◆ Telephone Device—Device No. 1, 2, 3—No. of Retries
- ◆ Telephone Device—Device No. 1, 2, 3—Busy Delay Time (min)
- ◆ Telephone Device—Device No. 1, 2, 3—No Answer Delay Time (min)
- ◆ Telephone Device—Device No. 1, 2, 3—Use Mode

- ◆ Telephone Device—Device Notification Timer—Device Start Delay Time (0-120 min)
- ◆ Telephone Device—Device Notification Timer—Device Interval Time between Device 1, 2, 3 and Next Device

24.4 UM Configuration—[5-4] System Parameters—Parameters—Dialing Parameters/MSW Notification

Operating Manual References

Subscriber Operation

1.6.6 Other Features—◆◆ Message Waiting Notification

Manager Operation

2.2.2 Message Manager Features—◆◆ Setting Up Message Waiting Notification

20.1.61 Unified Messaging—Microsoft Outlook Integration

Description

Unified Messaging system integration with Microsoft Outlook allows subscribers to access the contents of their mailboxes through Microsoft Outlook in the same way they do e-mail. Voice and fax messages appear in subscribers' inboxes as e-mail messages.

With the Outlook plug-in, subscribers can do the following:

- Play back voice messages directly from Outlook
- View received fax messages
- Record and send voice messages
- Forward and reply to messages
- Call back the sender of a message
- Export voice and fax message data
- Attach voice messages and fax data to other e-mail messages

Conditions

- Microsoft Outlook integration requires CA to be installed on the subscriber's computer (→ 4.1.1 CA (Communication Assistant)).
 - CA Pro, CA Operator Console, or CA Supervisor is required to use all the integration features.
 - CA Basic-Express users cannot access the call history or view the presence of extensions from Outlook.
- PBX resources are required to access the Unified Messaging system. To reduce the possibility that PBX performance will be affected, the account in Microsoft Outlook that is set up to access the subscriber's mailbox should be set to off-line mode. For details about off-line mode, refer to the documentation for Microsoft Outlook.
- Integration is available with Microsoft Outlook 2003 or later.
- For Outlook 2003 and Outlook 2007: While a subscriber is connected to his mailbox through Outlook, he will not be able to access the mailbox from a telephone. The subscriber must exit Outlook before he can access the mailbox's subscriber services from a telephone.
This condition does not apply to users of Outlook 2007 SP2 or later.
- KX-NSU201, KX-NSU205, KX-NSU210, KX-NSU220 or KX-NSU299 (Activation Key for Unified Messaging E-mail Notification) is required to use this feature. One activation key is required for each mailbox that will be used with this feature.
- For details about installing and using Outlook integration, refer to the documentation for CA.

PC Programming Manual References

21.1 UM Configuration—[2] Class of Service—General—◆ Desktop Messaging

Operating Manual References

Subscriber Operation

1.6.6 Other Features—◆◆ Communication Assistant plug-in for Microsoft Outlook

20.1.62 Unified Messaging—Multilingual Service

Description

Allows a maximum of 8 languages to be used for system prompts. The System Administrator can select 5 languages for the multilingual selection menu, and assign a key for each language in the menu. Callers can select the desired language by pressing the assigned key. The language used for system prompts heard by subscribers is determined by Class of Service (COS).

PC Programming Manual References

24.4 UM Configuration—[5-4] System Parameters—Parameters—Prompt Setting

Operating Manual References

Manager Operation

2.2.2 Message Manager Features—◆◆ Recording Messages

20.1.63 Unified Messaging—No DTMF Input Operation

Description

Provides guidance to callers when several seconds pass without anything being entered by the caller.

PC Programming Manual References

20.1.2 UM Configuration—[1-2] Mailbox Settings—Full Setting—External MSG Delivery/Auto FWD/Personal Custom Serv—◆ No DTMF Input Operation

20.1.64 Unified Messaging—On Hold Announcement Menu

Description

Allows callers (other than the first caller) in a queue to listen to prerecorded announcements or music. The On Hold Announcement Menu can be recorded by the System Administrator with a telephone while using Web Maintenance Console or by importing WAV files, and also by the Message Manager using a telephone. When the On Hold Announcement Menu is recorded, this feature is automatically enabled.

PC Programming Manual References

7.9 Utility—UM – System Prompts Customization

Operating Manual References

Manager Operation

2.2.2 Message Manager Features—◆◆ Recording Messages

20.1.65 Unified Messaging—Operator Service

Description

Allows callers to be connected to a live operator. The operator can then transfer the caller to the appropriate party or service as needed. A maximum of 3 operators can be specified to receive calls in the day, night, lunch, and break modes, and each operator can be assigned a mailbox for message-taking.

Note

- Operator 1 in day mode is automatically designated as the Message Manager and is assigned the extension number "0" or "9". This operator's mailbox is the General Delivery Mailbox.
- Operators 2 and 3 can be assigned to a floating number that is assigned to a ring group (Incoming Call Distribution Group).

Calls can be directed to an operator when:

- a. A caller does not or cannot send any DTMF signals to the Unified Messaging system (i.e., the caller does not dial any digits).
- b. A caller dials "0" when the call is being handled by Automated Attendant service.
- c. A Custom Service or Personal Custom Service option is set to transfer callers to Automated Attendant service. After pressing the appropriate dial key, the caller is directed to an operator.
 - 23.3 UM Configuration—[4-3] Service Settings—Custom Service
 - 20.1.2 UM Configuration—[1-2] Mailbox Settings—Full Setting—External MSG Delivery/Auto FWD/Personal Custom Serv—◆ Personal Custom Service

Operator Service can be structured as a cascade so that if Operator 1 cannot take the call, it goes to Operator 2. If that fails, the call goes to Operator 3. If that fails, the caller can record a message. At each stage, there are other options for busy cases and no-answer cases.

- **Busy Coverage Mode**
Determines how calls to an operator will be handled when the line is busy. The Busy Coverage options are: Hold, No Answer Coverage, Call Waiting, and Disconnect Message.
- **No Answer Coverage Mode**
Determines how calls will be handled when an operator does not answer within the time specified for "Operator No Answer Time". The No Answer Coverage options are: Caller Select, Leave Message, Disconnect Message, and Next Operator.

PC Programming Manual References

23.1 UM Configuration—[4-1] Service Settings—Caller ID / PIN Call Routing—23.2 UM Configuration—[4-2] Service Settings—Parameters

- ◆ Operator Service—Operator's Extension
- ◆ Operator Service—Busy Coverage Mode
- ◆ Operator Service—No Answer Coverage Mode

Operating Manual References

Manager Operation

2.2.2 Message Manager Features—◆◆ Customizing the Message Manager's Mailbox

20.1.66 Unified Messaging—Password Administration

Description

Allows the System Administrator or System Manager to clear a subscriber password (so that a new one can be assigned).

Operating Manual References

Manager Operation

2.2.1 System Manager Features—◆◆ Setting Up Mailboxes

20.1.67 Unified Messaging—Personal Custom Service

Description

Allows a subscriber to use the following Custom Services in his or her Personal Greeting (Personal Custom Service):

- Transfer to Mailbox
- Transfer to Extension
- Transfer to Voice Mail Service
- Transfer to Automated Attendant Service
- Custom Service
- Transfer to Operator
- Transfer to Outside
- Page the Party
- Repeat Greeting

A caller can select the desired service from those above while listening to the Personal Greeting or recording a message.

You can also choose what happens if a caller does not dial anything after the Personal Greeting (No DTMF Input Operation) as follows:

- Message Recording: The caller will be guided to leave a message.
- Disconnect (All Day): The line will be disconnected all day.
- Disconnect (Only After Hours): The line will be disconnected only after hours.

PC Programming Manual References

20.1.2 UM Configuration—[1-2] Mailbox Settings—Full Setting—External MSG Delivery/Auto FWD/Personal Custom Serv—◆ Personal Custom Service

Operating Manual References

Subscriber Operation

1.6.6 Other Features—◆◆ Personal Custom Service

20.1.68 Unified Messaging—Personal Greetings

Description

Are the greetings heard when a caller reaches a subscriber's mailbox. Subscribers can record 6 types of personal greetings. The maximum recording time for each personal greeting is determined by the subscriber's COS. Personal greetings are used in the following priority:

1. Temporary Personal Greeting

Used to inform callers of the subscriber's absence (e.g., "I'm out of the office today..."). The Temporary Personal Greeting overrides other Personal Greetings; it is always played regardless of the time mode, whether or not the line is busy, etc. This feature is automatically activated when the subscriber records a Temporary Personal Greeting. He will then be asked whether it should be turned off the next time he logs in to his mailbox. When the Temporary Personal Greeting is turned off, it will be deleted automatically and other Personal Greetings will be played as normal.

2. Busy Signal Greeting

Played whenever the subscriber's extension is busy.

3. Personal Greeting for Caller ID

Allows subscribers to record a maximum of 4 personal greetings that are played for calls received from preprogrammed telephone numbers. Each greeting can be assigned to a maximum of 8 telephone numbers.

4. Absent Message Greeting

Allows subscribers to assign a personal greeting to each of the PBX's absent messages.

5. After Hours Greeting

Played when the system is in night mode.

6. No Answer Greeting

Played during business hours (day, lunch, and break modes) when:

- the caller is connected to the subscriber's extension but the call is not answered.
- the caller logs in to the mailbox directly.
- the Busy Signal greeting or the After Hours greeting has not been recorded.

PC Programming Manual References

Section 21 UM Configuration—[2] Class of Service

21.1 UM Configuration—[2] Class of Service—Mailbox—◆ Personal Greeting for Caller ID

Feature Manual References

2.1.1 Absent Message

Operating Manual References

Subscriber Operation

1.6.2 Logging in to and Configuring Your Mailbox

→◆◆ Changing or Deleting Your Personal Greeting Messages

→◆◆ Personal Greetings for Caller ID

Manager Operation

2.2.1 System Manager Features—◆◆ Setting Class of Service (COS) Parameters

20.1.69 Unified Messaging—PIN Call Routing

Description

Allows the System Administrator to store a maximum of 200 PIN (Personal Identification Number) (max. 20 digits) numbers and assign a destination (extension, mailbox, mailbox group, or Custom Service) to each PIN for each time mode (day, night, lunch, and break). In a Custom Service, callers can be required to enter a PIN number in order to be directed to a destination.

PC Programming Manual References

20.1.2 UM Configuration—[1-2] Mailbox Settings—Full Setting—Mailbox Parameters—◆ Call Transfer Anytime in Incomplete Handling Menu
23.1 UM Configuration—[4-1] Service Settings—Caller ID / PIN Call Routing

20.1.70 Unified Messaging—Play System Prompt After Personal Greeting

Description

Allows the Guidance for Recording message to be played for the caller after the Personal Greeting. The Guidance for Recording message instructs the caller how to terminate the call, access more features, and rerecord the message.

PC Programming Manual References

21.1 UM Configuration—[2] Class of Service—Mailbox—◆ Play System Prompt after Personal Greeting

Operating Manual References

Manager Operation

2.2.1 System Manager Features—◆◆ Setting Class of Service (COS) Parameters

20.1.71 Unified Messaging—Port Service

Description

Allows assignment of call services to each port. The incoming call service determines which service is used when answering incoming calls. These services include: Voice Mail, Automated Attendant, Interview, Custom Service, Fax, and Transfer to Mailbox. Custom Service is the most flexible of all the services because it allows access to the other services by pressing one key.

Note

For caller convenience, we recommend programming all ports to use Custom Service as the Incoming Call Service (→ 20.1.27 Unified Messaging—Custom Service).

PC Programming Manual References

Section 22 UM Configuration—[3] UM Extension / Trunk Service

Feature Manual References

- 20.1.6 Unified Messaging—Automated Attendant (AA)
- 20.1.27 Unified Messaging—Custom Service
- 20.1.39 Unified Messaging—Fax Service
- 20.1.49 Unified Messaging—Interview Service
- 20.1.88 Unified Messaging—Transfer to Mailbox
- 20.1.93 Unified Messaging—Voice Mail Service

20.1.72 Unified Messaging—Private Message

Description

Allows a subscriber and the System Manager to mark a message as "Private" when sending it to other subscribers, the Message Manager and/or the System Manager. A private message cannot be transferred. It is also possible to mark messages recorded in the Voice Mail service as "Private".

Operating Manual References

Subscriber Operation

- 1.6.4 Sending Messages—◆◆ Message Delivery

Manager Operation

- 2.2.1 System Manager Features—◆◆ Broadcasting Messages

20.1.73 Unified Messaging—Recover Message

Description

Enables a subscriber to recover deleted messages. After deleting messages, they will remain in the Deleted Message Box until the time specified in **System Maintenance Start Time** on the following day. Until then, the subscriber can retrieve the deleted messages from the Deleted Message Box and move them to the Old Message Box. Message retention time is reset when a message is recovered.

Operating Manual References

Subscriber Operation

- 1.6.3 Message Playback and Related Features—◆◆ Recovering Deleted Messages

PC Programming Manual References

- 7.11 Utility—UM - System Maintenance—System Maintenance Start Time

20.1.74 Unified Messaging—Remote Absent Message

Description

Allows a subscriber to change her absent message from a remote location by following the voice guidance.

Feature Manual References

2.1.1 Absent Message

Operating Manual References

Subscriber Operation

1.6.6 Other Features—◆◆ Setting Absent Message Remotely

20.1.75 Unified Messaging—Remote Call Forwarding Set

Description

Allows subscribers and the Message Manager to program their extensions from a remote location in order to forward calls to another extension or to an outside telephone.

There are 6 forwarding settings available:

- **FWD All:** Forwards all incoming calls to the desired extension number.
- **FWD Busy:** Forwards all incoming calls to the desired extension number when the line is busy.
- **FWD No Answer:** Forwards all incoming calls to the desired extension number when there is no answer.
- **FWD Busy or No Answer:** Forwards all incoming calls to the desired extension number when the line is busy or there is no answer.
- **FWD to CO:** Forwards all incoming calls to Telephone number 1 or 2 (programmed in the Mailbox Setting), or to any other number.
- **FWD Cancel:** Cancels the forwarding setting.

Conditions

- In order to use the FWD to CO option, the ability to forward calls to CO lines must be enabled through system programming.
- Extensions assigned as operators can be called by dialing [0], however, when setting this feature the extension number (not "0") must be specified.

PC Programming Manual References

10.7.1 PBX Configuration—[2-7-1] System—Class of Service—COS Settings

20.1.2 UM Configuration—[1-2] Mailbox Settings—Full Setting—Remote Call/Automatic Login/Direct Service

21.1 UM Configuration—[2] Class of Service

Operating Manual References

Subscriber Operation

1.6.5 Transferring Calls—◆◆ Remote Call Forwarding

Manager Operation

2.2.1 System Manager Features—◆◆ Setting Class of Service (COS) Parameters

2.2.2 Message Manager Features—◆◆ Remote Call Forwarding Set

20.1.76 Unified Messaging—Remote Time Service Set

Description

Allows the System Manager to program his or her extension from a remote location in order to change the PBX's time service mode (day/night/lunch/break).

Operating Manual References

Manager Operation

2.2.1 System Manager Features—◆◆ Remote Time Service Mode Setting

20.1.77 Unified Messaging—Send to Fax Machine

Description

Through the voice mail guidance, a subscriber can send received faxes to another destination. This feature can be used to send received faxes to a fax machine to print them out.

The subscriber can send faxes to the following destinations:

- A preprogrammed fax machine
- A fax machine specified by entering its number via the telephone
- The fax machine the subscriber is calling from (if calling from a fax machine)

The subscriber can select which faxes are sent, as follows:

- The current fax being "listened" to
- All unprinted faxes
- All faxes

Conditions

- If the forward destination is busy, it will be retried a preprogrammed number of times. If the fax still cannot be sent, a non-delivery notification message is sent to the subscriber's mailbox.
- If an error occurs while sending the fax, whether to retry can be set through system programming. Also, whether to send the fax again from the start or to send it from the page where the error occurred is also programmable.

PC Programming Manual References

20.1.2 UM Configuration—[1-2] Mailbox Settings—Full Setting—Fax Options—◆ Fax Number Confirmation

20.1.78 Unified Messaging—Service Group

Description

Is a group of parameters that determine how incoming calls will be handled. 64 different Service Groups can be configured; one Service Group can be assigned to each port and each trunk group.

PC Programming Manual References

10.4 PBX Configuration—[2-4] System—Week Table

22.1 UM Configuration—[3-1] UM Extension / Trunk Service—Service Group

Feature Manual References

19.1.3 Time Service

Operating Manual References

Manager Operation

2.1.6 Time Service Mode Control

20.1.79 Unified Messaging—Simplified Tutorial

Description

If enabled in a subscriber's COS settings, the tutorial that guides the subscriber through setting up his or her mailbox is simpler and takes less time to complete than the standard tutorial.

PC Programming Manual References

21.1 UM Configuration—[2] Class of Service—◆ Tutorial

20.1.80 Unified Messaging—Subscriber Tutorial

Description

Provides voice guidance to subscribers when they log in to their mailboxes for the first time. By following the guidance, subscribers can configure the following items:

- Password
- Owner's Name
- Personal Greetings (No Answer Greeting, Busy Signal Greeting, After Hours Greeting)

Note

If the simplified tutorial was selected through system programming, Busy Signal Greeting and After Hours Greeting cannot be recorded.

PC Programming Manual References

21.1 UM Configuration—[2] Class of Service—◆ Tutorial

Operating Manual References

Subscriber Operation

1.6.2 Logging in to and Configuring Your Mailbox—◆◆ Subscriber Tutorial (Easy Mailbox Configuration)

Manager Operation

2.2.1 System Manager Features—◆◆ Setting Class of Service (COS) Parameters

20.1.81 Unified Messaging—System Backup/Restore

Description

Allows the System Administrator to back up or restore the following data as individual files: System Prompts, Mailbox Prompts, and Mailbox Messages. Data can be backed up in 2 ways:

- **Manual Backup:** The specified data is backed up manually.
Backup data can be saved to the following destinations:
 - An external USB memory device
 - The local PC where you are running Web Maintenance Console
- **Scheduled Backup:** The specified data is backed up automatically at the specified times. Backup data can be saved to an external USB memory device. When scheduled backup is enabled, the following parameters can be set:
 - Set whether to back up messages received only within a specified period.
 - Set whether to back up messages only when the remaining capacity of the mailbox reaches a certain level.
 - Set whether to delete messages from the mailbox after backup.
 - Set whether all messages or just old messages are backed up.

A record of backup information (Description, Completion Status, Date & Time, and Total Elapsed Time) can be viewed in the backup history.

Conditions

- KX-NSU003 (Activation Key for Message Backup) is required to use the scheduled backup feature. One activation key is required for each site where this feature will be used.
- If data is being backed up to the local PC, individual messages that are larger than 100 MB (about 3.5 hours long) cannot be backed up. However, even if some messages cannot be backed up, all other data will be backed up normally.
- If data is saved to a USB memory device, be sure to unmount the device before removing it from the PBX to avoid data loss or corruption.
→ 4.1.5 Status—Equipment Status—USB
- **One-look Networking** (→ 14.1.4 One-look Network)
A backup/restore cannot be performed for Slave units if you are logged in to the Master unit. To backup/restore data for a Slave unit, log in to the Slave unit.
- **KX-TVA Data Restore**
This feature can be used to import KX-TVA VPS voice data to the KX-NS1000's Unified Messaging system voice data.

Installation Manual References

5.3 Starting Web Maintenance Console—Converting KX-TDE or KX-NCP System Data for Use with the KX-NS1000

PC Programming Manual References

- 6.8 Tool—UM Data Backup
- 6.9 Tool—UM Data Restore

20.1.82 Unified Messaging—System Prompts

Description

Are announcements that instruct a caller. A maximum of 8 languages can be stored as system prompts. The name of each language can be stored as well. When the System Administrator selects a language for the system settings, the desired language can be selected using this name label data. "Primary" can be specified by selecting one of the stored languages, and become the default setting unless another language is selected in the system setting.

Note

- System prompts can be changed or turned on/off, system prompts for each language can be imported as WAV files, or re-recorded using a telephone.
- In order to leave more time for recording, the System Administrator is also able to delete specific system prompts or one of the installed languages used for system prompts.

PC Programming Manual References

- 7.9 Utility—UM – System Prompts Customization
- 21.1 UM Configuration—[2] Class of Service—◆ Prompt Mode
- 24.4 UM Configuration—[5-4] System Parameters—Parameters—Prompt Setting

Operating Manual References

Manager Operation

- 2.2.1 System Manager Features—◆◆ Setting Class of Service (COS) Parameters
- 2.2.2 Message Manager Features—◆◆ Recording Messages

20.1.83 Unified Messaging—System Reports

Description

There are several System Reports available to the System Administrator to monitor operating status. The System Administrator can print or export the System Reports. Certain reports can be printed in tabular form or graph form.

The following reports can be generated:

- Mailbox Information Report
- Call Account Report (Group calls by UM Extn)^{1,2}
- Call Account Report (Group calls by Mailbox)^{1,2}
- UM Extn Usage Report^{1,2}
- Memory Usage Report^{1,2}
- Mailbox Usage Report^{1,2}
- Fax Transfer Report²
- Call Handling Statistics Report²
- Custom Service Report²
- Message Status Report
- Subscriber Setup Report
- Security Information Report
- Hourly Statistics Report²

20.1.85 Unified Messaging—Timed Reminder Setting

- Fax Server Report
 - *1 This report can be printed in tabular form or graph form.
 - *2 This report can be set to be deleted automatically.

Conditions

- **One-look Networking** (→ 14.1.4 One-look Network)
Reports cannot be viewed or printed for Slave units if you are logged in to the Master unit. To view or print reports for a Slave unit, log in to the Slave unit.

PC Programming Manual References

7.5 Utility—Report

20.1.84 Unified Messaging—System Security

Description

Protects the Unified Messaging system from unauthorized programming and/or use. By default, the System Manager and Message Manager cannot access the system from their telephones until the System Administrator enables the relevant settings and sets a password. The System Administrator can also choose to set a default password for subscribers' mailboxes. If this setting is enabled, a default password is automatically assigned when mailboxes are created.

PC Programming Manual References

26.1 UM Configuration—[7] System Security

20.1.85 Unified Messaging—Timed Reminder Setting

Description

Allows a subscriber to set a Timed Reminder by following system prompts provided by the Unified Messaging system. Timed Reminder is a feature that is similar to an alarm clock; the telephone will ring at the set time (once or daily) as set by the subscriber or message manager.

A special dial tone or prerecorded message will be heard by the subscriber when going off-hook to answer the Timed Reminder.

Conditions

- The time format (12 or 24 hour) used when setting the Timed Reminder is determined by the setting of "Position of "AM/PM" in Time Stamp".
→ 24.4 UM Configuration—[5-4] System Parameters—Parameters—Prompt Setting—◆ System Guidance—Select Language—Position of "AM/PM" in Time Stamp
- A subscriber must have his or her own extension in order to use this feature.
- Extensions assigned as operators can be called by dialing [0], however, when setting this feature the extension number (not "0") must be specified.

PC Programming Manual References

24.4 UM Configuration—[5-4] System Parameters—Parameters

Feature Manual References

19.1.4 Timed Reminder

Operating Manual References

Subscriber Operation

1.6.6 Other Features—◆◆ Setting the Alarm (Timed Reminder)

Manager Operation

2.2.2 Message Manager Features—◆◆ Setting the Timed Reminder

20.1.86 Unified Messaging—Toll Saver

Description

Allows a subscriber to check his or her mailbox from preprogrammed Caller ID numbers, the DID number or the telephone number specified to the preprogrammed trunk group number without incurring telephone charges.

PC Programming Manual References

20.1.2 UM Configuration—[1-2] Mailbox Settings—Full Setting—Remote Call/Automatic Login/Direct Service

- ◆ Auto Login Extension
- ◆ Auto Login Extension Password Entry Requirement
- ◆ Auto Login Caller ID 1, 2
- ◆ Auto Login Caller ID Password Entry Requirement
- ◆ Auto Login DDI/DID
- ◆ Auto Login TRG No.
- ◆ Auto Login DDI/DID, TRG No. Password Entry Requirement
- ◆ Auto Login Toll Saver

23.1 UM Configuration—[4-1] Service Settings—Caller ID / PIN Call Routing—23.2 UM Configuration—[4-2] Service Settings—Parameters

- ◆ Delayed Answer Time for New Message (5-60 s)
- ◆ Delayed Answer Time for No New Message (5-60 s)

Feature Manual References

20.1.8 Unified Messaging—Automatic Login

Operating Manual References

Subscriber Operation

1.6.6 Other Features—◆◆ Assigning Your Telephone Numbers for Remote Automatic Log-in and Toll Saver

20.1.87 Unified Messaging—Transfer Recall to a Mailbox

Description

If a call is transferred to an extension via the Automated Attendant (AA) service and the call is not answered within a preprogrammed Transfer Recall time, the call is redirected to the mailbox of the transfer destination extension. Therefore the caller can leave a message in the mailbox of the extension without knowing the mailbox number. The "Transfer Recall to Mailbox" setting must be enabled through system programming to use this feature.

PC Programming Manual References

10.3 PBX Configuration—[2-3] System—Timers & Counters—Dial / IRNA / Recall / Tone—◆ Recall—Transfer Recall

11.7.1 PBX Configuration—[3-7-1] Group—UM Group—System Settings—◆ Transfer Recall to Mailbox

Feature Manual References

20.1.6 Unified Messaging—Automated Attendant (AA)

20.1.88 Unified Messaging—Transfer to Mailbox

Description

Forwards the call to a specified mailbox.

Calls reach the Transfer to Mailbox Service when the Incoming Call Service of a trunk group or port is set to "Transfer to Mailbox".

PC Programming Manual References

22.1 UM Configuration—[3-1] UM Extension / Trunk Service—Service Group—◆ Day, Night, Lunch, and Break Mode - Incoming Call Service

20.1.89 Unified Messaging—Trunk Service (Universal Port)

Description

Allows call handling features to behave differently depending on the trunk group that the calls are received on. A service can be assigned to each trunk group, including: Voice Mail, Automated Attendant, Interview, Custom Service, Fax, and Transfer to Mailbox. Custom Service is the most flexible of all the services because it allows access to the other services by pressing one key.

Note

For caller convenience, we recommend programming all trunk groups to use Custom Service as the Incoming Call Service (→ 20.1.27 Unified Messaging—Custom Service).

PC Programming Manual References

Section 22 UM Configuration—[3] UM Extension / Trunk Service

Feature Manual References

- 20.1.6 Unified Messaging—Automated Attendant (AA)
- 20.1.27 Unified Messaging—Custom Service
- 20.1.39 Unified Messaging—Fax Service
- 20.1.49 Unified Messaging—Interview Service
- 20.1.88 Unified Messaging—Transfer to Mailbox
- 20.1.93 Unified Messaging—Voice Mail Service

20.1.90 Unified Messaging—Two-way Record/Two-way Transfer

Description

The following manual recording features are available:

- **Two-way Record**
Allows a subscriber to record the conversation that he or she is having with a caller. The conversation is saved in the subscriber's mailbox as either an old or new message, depending on the subscriber's COS.
- **Two-way Transfer**
Allows a subscriber to record the conversation that he or she is having with a caller. The conversation is saved in another subscriber's mailbox as a new message.
- **One-touch Two-way Transfer**
Allows a subscriber to record the conversation that he or she is having with a caller, with a one-touch operation. The conversation is saved in another subscriber's mailbox as a new message.

Unlimited Message Length

Allows subscribers to record for an unlimited length of time when recording two-way conversations into their own or another subscriber's mailbox (Two-way Record or Two-way Transfer). The maximum recording time for other messages will automatically be set to 60 minutes.

Note

You should inform the other party that the conversation will be recorded before beginning to record any telephone conversation.

Conditions

- KX-NSU301, KX-NSU305, KX-NSU310, KX-NSU320, or KX-NSU399 (Activation Key for Two-way Recording) is required to use this feature. One activation key is required for each extension that will use this feature.
- **Two-way Record/Two-way Transfer Button**
A flexible button can be customized as the Two-way Record or the Two-way Transfer button. An extension number can be assigned to the Two-way Transfer button so that it can be used as a one-touch record button for the mailbox of the specified extension (**One-touch Two-way Transfer Button**).
- When all of the Unified Messaging ports are busy:
 - a. Pressing the Two-way Record button sends a warning tone.
 - b. Pressing the Two-way Transfer button followed by an extension number sends a warning tone.
- To allow unlimited recording time, the "Message Length" parameter of the subscriber's Class of Service (COS) must be set to "Unlimited".
→ 21.1 UM Configuration—[2] Class of Service—Mailbox—◆ Message Length (Selection)

PC Programming Manual References

- 12.1.1 PBX Configuration—[4-1-1] Extension—Wired Extension—Extension Settings—UM—◆ Two-way Recording
- 12.1.4 PBX Configuration—[4-1-4] Extension—Wired Extension—Flexible Button
 - ◆ Extension Number (for Two-way Record)
 - ◆ Extension Number (for Two-way Transfer)
 - ◆ Extension Number (for Voice Mail Transfer)
- 12.2.1 PBX Configuration—[4-2-1] Extension—Portable Station—Extension Settings—UM—◆ Two-way Recording
- 12.2.3 PBX Configuration—[4-2-3] Extension—Portable Station—Flexible Button
 - ◆ Extension Number (for Two-way Record)
 - ◆ Extension Number (for Two-way Transfer)
 - ◆ Extension Number (for Voice Mail Transfer)
- 21.1 UM Configuration—[2] Class of Service—Mailbox—◆ Two-way Recorded Message Save Mode

Feature Manual References

- 7.1.3 Flexible Buttons

Operating Manual References

Subscriber Operation

- 1.6.6 Other Features—◆◆ Recording Your Conversation
- 3.1.4 Customizing the Buttons

20.1.91 Unified Messaging—Urgent Message

Description

Allows subscribers, callers, and the System Manager to specify a message as "Urgent". When a subscriber listens to messages, urgent messages will be given priority over other messages in a mailbox (i.e., they will be played first) if the "First Playback Urgent Messages" parameter of the subscriber's Class of Service (COS) is set to "Yes". If "Only Urgent Messages" is set as the Notification Type for the subscriber's mailbox, Message Waiting Notification will be activated only when an urgent message is received.

PC Programming Manual References

- 20.1.2 UM Configuration—[1-2] Mailbox Settings—Full Setting—Notification Parameters
 - ◆ Telephone Device—Device No. 1, 2, 3—Only Urgent Messages
 - ◆ E-mail/Text Message Device—Device No. 1, 2, 3—Only Urgent Messages
- 21.1 UM Configuration—[2] Class of Service—Mailbox—◆ First Playback Urgent Message

20.1.92 Unified Messaging—User Profiles and Mailbox Auto Configuration

Description

Automatically associates extension numbers, mailboxes, and user profiles in bulk. If a mailbox with the same number as an extension number does not exist, one is created automatically. There are 2 modes available for the automatic creation of mailboxes.

PC Programming Manual References

20.1.3 UM Configuration—[1-3] Mailbox Settings—Auto Configuration

Installation Manual References

5.12 Automatic Configuration of User Profiles and Mailboxes

20.1.93 Unified Messaging—Voice Mail Service

Description

Is a message recording service that allows callers to leave messages for subscribers. They can dial mailbox numbers directly or "spell" the name of the desired party using the dial keys on their telephones (→ 20.1.31 Unified Messaging—Dialing by Name). Once the caller has dialed an appropriate number, the Unified Messaging system transfers the caller to the party.

Callers will reach Voice Mail service when:

- a. The Incoming Call Service of a trunk group or port is set to "Voice Mail Service".
→ 22.1 UM Configuration—[3-1] UM Extension / Trunk Service—Service Group—◆ Day, Night, Lunch, and Break Mode - Incoming Call Service
- b. The call service of a Holiday is set to "Voice Mail Service".
→ 23.4 UM Configuration—[4-4] Service Settings—Holiday Table—◆ Service
- c. They press [#6] (Voice Mail Service Access Command) during a call.
- d. A Custom Service or Personal Custom Service option is set to transfer callers to Voice Mail service.
→ 20.1.2 UM Configuration—[1-2] Mailbox Settings—Full Setting—External MSG Delivery/Auto FWD/ Personal Custom Serv—◆ Personal Custom Service
→ 23.3 UM Configuration—[4-3] Service Settings—Custom Service
- e. A subscriber transfers the caller to Voice Mail service.

PC Programming Manual References

Section 22 UM Configuration—[3] UM Extension / Trunk Service

20.1.94 Unified Messaging—Voice Mail (VM) Transfer Button

Description

A subscriber can transfer a call to a mailbox of an extension by pressing the VM Transfer button and entering the number of the extension. The transferred caller can then leave a message in the mailbox. The VM Transfer button can also be used by extension users at other times, as follows:

- a. By pressing the VM Transfer button when the extension is idle, the extension's mailbox is called and messages can be listened to. This feature can be used even if the Message Waiting lamp is not on.
- b. Pressing the VM Transfer button while a call is incoming will redirect the call to the called extension's mailbox. This is useful when the called extension user does not want to answer the call.
- c. If you call an extension, and the other party does not answer, pressing the VM Transfer button will transfer your call to the called extension's mailbox so that you can leave a message. This feature can also be used when the called extension is busy or set to DND.

Conditions

- A flexible button can be customized as the VM Transfer button with the floating extension number of the UM group as the parameter.
- If a PS is paired with a PT or SLT (in Wireless XDP Parallel mode), the PS's VM Transfer button cannot be used to redirect an incoming call to the called extension's mailbox. (→ 22.1.5 Wireless XDP Parallel Mode)

PC Programming Manual References

- 12.1.4 PBX Configuration—[4-1-4] Extension—Wired Extension—Flexible Button—◆ Extension Number (for Voice Mail Transfer)
- 12.2.3 PBX Configuration—[4-2-3] Extension—Portable Station—Flexible Button—◆ Extension Number (for Voice Mail Transfer)

Feature Manual References

- 7.1.3 Flexible Buttons

20.1.95 Unified Messaging—Web Programming

Description

Subscribers can access and change various settings via Web Maintenance Console.

Users

Users logged in to a "User (User)" account can access the following items:

- **Mailbox settings**
Subscribers can configure settings such as the name associated with their mailbox, the mailbox password, and notification parameters.
- **Voice prompts**
Subscribers can play, record, and delete the following types of voice prompts for their mailbox:
 - Mailbox owner name
 - Personal greetings
 - Personal caller ID name
 - Personal distribution list voice label
 - Interview mailbox questions

Administrators

Users logged in to a "User (Administrator)" account can access the following items in addition to the settings available to "User (User)" accounts:

- **Voice prompts**
 - Custom service
 - Mailbox group name
 - System caller name
- **Reports**
Administrators can view and clear the various types of reports.
→ 7.5.3 Utility—Report—UM View Reports

Conditions

- Subscribers must have a user ID and password to log in to Web Maintenance Console.
- The System Manager and the Message Manager do not necessarily have administrator privileges.

PC Programming Manual References

Section 20 UM Configuration—[1] Mailbox Settings

22.1 UM Configuration—[3-1] UM Extension / Trunk Service—Service Group—◆ Day, Night, Lunch, and Break Mode - Incoming Call Service Prompt

24.3 UM Configuration—[5-3] System Parameters—System Caller Name Announcement

24.4 UM Configuration—[5-4] System Parameters—Parameters—Prompt Setting

Feature Manual References

15.1.3 PC Programming

Operating Manual References

3.2 System Programming Using Web Maintenance Console

20.1.96 UPS (Uninterruptible Power Supply) Integration

Description

An uninterruptible power supply unit (UPS) is a device that supplies power for several minutes to a connected device when a power failure occurs.

If the PBX is connected to a compatible UPS via USB when a power failure occurs, the PBX can determine how much power remains in the UPS and shut down when the remaining power drops below a specified amount to prevent data loss or corruption.

Conditions

- For details about UPS units that are compatible with the automatic shutdown feature of this PBX, consult your dealer. If an incompatible UPS is connected and the UPS runs out of power, the PBX will turn off without shutting down.
- The power cord and USB cable must be connected to the same UPS. Connecting them to different UPSs can result in incorrect operation.
- When power is restored after a power outage, the PBX operates in the following manner:
 - If the PBX did not shut down, normal operation continues uninterrupted.
 - If the PBX shut down and power remains in the UPS, the PBX must be started again manually. (The power switch must be turned off and then on again.)
 - If the PBX shut down and no power remains in the UPS, the PBX starts automatically. (This is because the PBX's power switch is on.)

Installation Manual References

4.10 Connection of Peripherals

PC Programming Manual References

4.1.1 Status—Equipment Status—UPS

20.1.97 Upgrading the Software

Description

The main software of the PBX, as well as the software of other connected devices can be updated either manually or automatically.

- **Obtaining updates manually**

Obtaining software updates (downloading the update to the PBX) can be done manually via Web Maintenance Console. In this case, software updates can be obtained from an FTP server, a USB memory device connected to the PBX, or a PC that can access Web Maintenance Console.

- **Obtaining updates automatically**

The PBX can automatically check for and download updates from an FTP server. Also, a notification e-mail can be sent to specified e-mail addresses when an update becomes available and when it is downloaded. Also, the PBX can be configured to check for updates automatically, but not to download them.

Installing an update can be done either manually via Web Maintenance Console, or on a set schedule.

The software of the following types of devices and components can be updated:

Data Type	Description
Main software data	Operating system data area on the PBX's mother board.
LPR (software on a slot card) software data	Flash ROM on a slot card (e.g., SLC2/PRI23) This includes the LPR software of legacy gateways (→ 18.1.9 Stacking Connection).
Cell Station (CS) software data	Flash ROM on a CS This includes the Flash ROM on CSs connected through a legacy gateway (→ 18.1.9 Stacking Connection).
IP-PT/SIP extension software data ^{*1}	Firmware of supported IP-PTs and SIP extensions

^{*1} Only Panasonic telephones are supported. For details about a specific telephone, refer to the telephone's documentation.

One-look Networking

In a One-look Network (→ 14.1.4 One-look Network), the main software of Slave units and the software of devices connected to Slave units can be updated from the Master unit.

Conditions

- The software version of the mother board can be confirmed through system programming.
- In a One-look network (→ 14.1.4 One-look Network), the main software of all units (Master units and Slave units) must be the same.

Installation Manual References

4.3.1 Mother Board

PC Programming Manual References

5.1 System Control—Program Update

9.2 PBX Configuration—[1-1] Configuration—Slot—Summary—◆ Card Type

20.1.98 User Profiles

Description

Manage the following user information settings on a per-user level.

- User information (name, language, etc.)
- Contact information (extension number, e-mail addresses, etc.)
- Unified Messaging information (mailbox number, password, etc.)
- E-mail notification information
- Telephony feature information (FWD/DND, Personal Speed Dialing, etc.)
- Login account information

Users can configure certain user information via Web Maintenance Console.

User information for other accounts can be viewed, added, edited, and deleted by logging in with a "User (Administrator)" account or an "Installer" account.

Note

User information (extension number, name, mailbox number, login account, etc.) must be registered in "User Profiles" before configuring personal information in "PBX Configuration—Extension" or "UM Configuration—Mailbox Settings".

Installation Manual References

5.12 Automatic Configuration of User Profiles and Mailboxes

PC Programming Manual References

Section 8 Users

Section 12 PBX Configuration—[4] Extension

Section 20 UM Configuration—[1] Mailbox Settings

Feature Manual References

15.1.3 PC Programming

20.1.92 Unified Messaging—User Profiles and Mailbox Auto Configuration

Operating Manual References

3.2.1 User Programming

Section 21

Features and Configurations—V

21.1 V

21.1.1 Verification Code Entry

Description

An extension user can enter a verification code when calling from his own or any other extension, to change the Toll Restriction (TRS) level (→ 19.1.5 TRS (Toll Restriction)) or to identify the call for accounting and billing purposes. A verification code personal identification number (PIN) is required to use this feature.

Conditions

CAUTION

There is a risk that fraudulent telephone calls will be made if a third party discovers a personal identification number (PIN) (verification code PIN or extension PIN) of the PBX. The cost of such calls will be billed to the owner/renter of the PBX. To protect the PBX from this kind of fraudulent use, we strongly recommend:

- a. Keeping PINs secret.
 - b. Selecting complex, random PINs that cannot be easily guessed.
 - c. Changing PINs regularly.
- When a CO line call is made using Verification Code Entry:
 - the Class of Service of the specified extension is applied (→ 4.1.22 COS (Class of Service))
 - the Itemized Billing code of the specified extension is applied (→ 2.1.3 ARS (Automatic Route Selection))
 - * + verification code is recorded on SMDR as the call originator, instead of the extension number of the actual extension used (→ 18.1.4 SMDR (Station Message Detail Recording)).
 - **Verification Code Entry through DISA**
This feature is also available through DISA. (→ 5.1.9 DISA (Direct Inward System Access))
 - **Verification Code PIN**
A verification code PIN must be assigned for each verification code through system programming or through manager programming.
 - **Verification Code PIN Lock**
If the wrong PIN is entered three times, the line will be disconnected. If the wrong PIN is entered a preprogrammed number of times successively, the PIN for the verification code will be locked. Only an extension assigned as the manager can unlock it. In this case, the PIN will be unlocked and cleared.

[Example of Verification Codes and Their Programming]

Location	Code ^{*1}	Name ^{*2}	PIN ^{*3}	COS ^{*4}	Itemized Billing Code for ARS ^{*5}
0001	1111	Tom Smith	1234	1	2323
0002	2222	John White	9876543210	3	4545
:	:	:	:	:	:

*1 → 14.3 PBX Configuration—[6-3] Feature—Verification Code—◆ Verification Code

*2 → 14.3 PBX Configuration—[6-3] Feature—Verification Code—◆ User Name

*3 → 14.3 PBX Configuration—[6-3] Feature—Verification Code—◆ Verification Code PIN

*4 → 14.3 PBX Configuration—[6-3] Feature—Verification Code—◆ COS Number

*5 → 14.3 PBX Configuration—[6-3] Feature—Verification Code—◆ Itemized Billing Code for ARS

PC Programming Manual References

- 10.3 PBX Configuration—[2-3] System—Timers & Counters—Miscellaneous—◆ Extension PIN—Lock Counter
- 10.6.1 PBX Configuration—[2-6-1] System—Numbering Plan—Main—Features—◆ User Remote Operation / Walking COS / Verification Code
- 12.1.1 PBX Configuration—[4-1-1] Extension—Wired Extension—Extension Settings—Option 1—◆ ARS Itemized Code
- 12.2.1 PBX Configuration—[4-2-1] Extension—Portable Station—Extension Settings—Option 1—◆ ARS Itemized Code
- 14.3 PBX Configuration—[6-3] Feature—Verification Code

Feature Manual References

- 2.1.3 ARS (Automatic Route Selection)
- 4.1.22 COS (Class of Service)
- 13.1.1 Manager Features
- 23.1 Capacity of System Resources

Operating Manual References

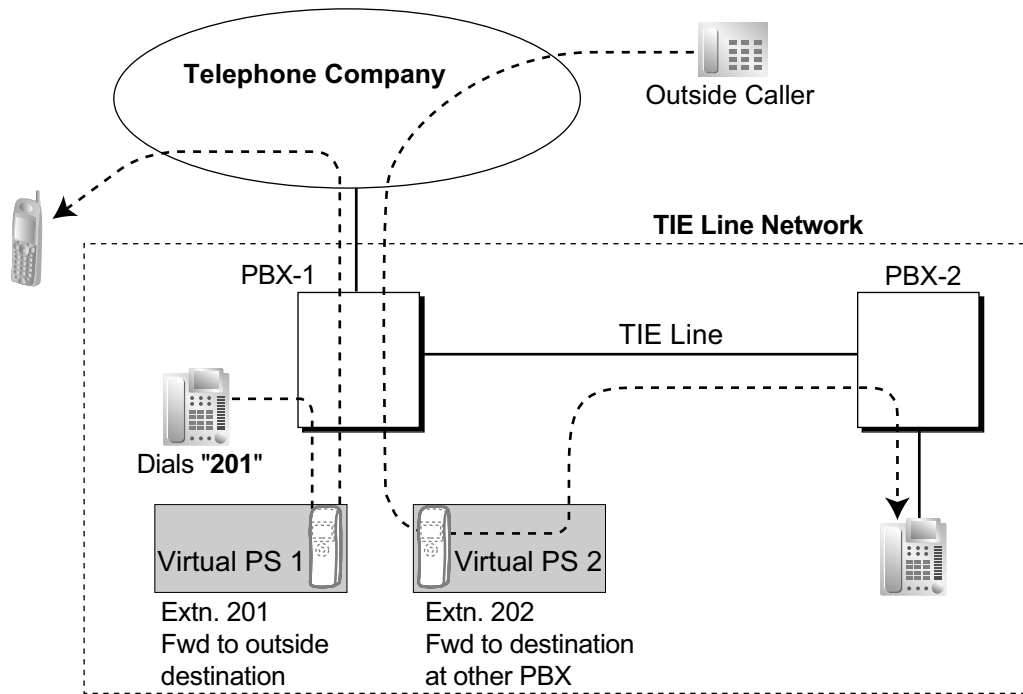
- 1.3.67 Verification Code Entry
- 4.1.2 Manager Programming

21.1.2 Virtual PS

Description

An extension number can be assigned for a portable station (PS) without registering the PS unit itself. This is known as temporary registration. If a forward destination is then assigned for this PS, all calls to that extension number will be forwarded to the assigned destination. Using this setting to forward calls to outside destinations or destinations at another PBX allows those destinations to receive calls as if they were within the PBX. In addition, depending on system programming, the forward destination can use some of the features of the PBX. This can be especially useful for a cellular phone user, who can use his cellular phone as if it were his extension when he is away from his desk.

[Example]



The following features can be accessed using this method:

Feature	Description & Reference
Outside Destinations in Incoming Call Distribution Group	A virtual PS allows calls to an Incoming Call Distribution (ICD) Group to be answered by outside destinations or extensions at another PBX. → 10.1.4 ICD Group Features—Outside Destinations
Network ICD Group	Using virtual PSs in an ICD Group, up to 4 other PBXs can be called at the same time. → 15.1.15 Private Network Features—Network ICD Group
PS Roaming by Network ICD Group	One PS can be registered at up to 4 PBXs. Using virtual PSs in an ICD Group, all 4 PBXs can be called simultaneously to search for the PS. → 15.1.16 Private Network Features—PS Roaming by Network ICD Group
Automatic Fax Transfer	A virtual PS can be used to forward fax calls to a fax machine at another PBX connected by a TIE line. → 2.1.6 Automatic Fax Transfer

Conditions

- To use this feature, call forwarding to CO lines must be enabled through COS programming.

PC Programming Manual References

9.30 PBX Configuration—[1-2] Configuration—Portable Station

Feature Manual References

7.1.6 FWD (Call Forwarding)

Section 22

Features and Configurations—W

22.1 W

22.1.1 Walking COS

Description

A user can enter his extension number and extension personal identification number (PIN) (→ 6.1.8 Extension PIN (Personal Identification Number)) at another extension, to make the following types of call using his Class of Service, including TRS level, overriding the other extension's Class of Service.

- CO line call
- TIE line call
- Intercom call
- External Relay (→ 6.1.9 External Relay)

After performing Walking COS, the following features are also available for the specified extension:

- Call Forwarding (FWD)/Do Not Disturb (DND) setting (→ 5.1.11 DND (Do Not Disturb), → 7.1.6 FWD (Call Forwarding))
- Incoming Call Distribution Group Log-in/Log-out (→ 10.1.3 ICD Group Features—Log-in/Log-out)
- Absent Message setting (→ 2.1.1 Absent Message)
- Extension Dial Lock (→ 6.1.6 Extension Dial Lock)
- Time Service—Changing the Time Mode (day/lunch/break/night) (→ 19.1.3 Time Service)
- CLIP number setting (CLIP ID) (→ 4.1.15 CLIP (Calling Line Identification Presentation))

Conditions

- When a CO line call is made using Walking COS:
 - the Class of Service of the specified extension is applied (→ 4.1.22 COS (Class of Service))
 - the Itemized Billing code of the specified extension is applied (→ 2.1.3 ARS (Automatic Route Selection))
 - the specified extension number is recorded on SMDR as the call originator, instead of the extension number of the actual extension used (→ 18.1.4 SMDR (Station Message Detail Recording)).
- Walking COS is also available through DISA. (→ 5.1.9 DISA (Direct Inward System Access))
- **Extension PIN**
An extension personal identification number (PIN) is required to use this feature (→ 6.1.8 Extension PIN (Personal Identification Number)). If the wrong PIN is entered three times, the line will be disconnected.
- This feature cannot be used for extensions which the extension being operated is prevented from calling by Internal Call Block. (→ 10.1.14 Internal Call Block)

PC Programming Manual References

10.6.1 PBX Configuration—[2-6-1] System—Numbering Plan—Main—Features—◆ User Remote Operation / Walking COS / Verification Code

10.7.1 PBX Configuration—[2-7-1] System—Class of Service—COS Settings—Optional Device & Other Extensions—◆ Remote Operation by Other Extension

12.1.1 PBX Configuration—[4-1-1] Extension—Wired Extension—Extension Settings—Main—◆ Extension PIN

12.2.1 PBX Configuration—[4-2-1] Extension—Portable Station—Extension Settings—Main—◆ Extension PIN

Feature Manual References

- 4.1.22 COS (Class of Service)
- 5.1.9 DISA (Direct Inward System Access)

Operating Manual References

- 1.3.73 Walking COS

22.1.2 Walking Extension

Description

It is possible for an extension user to trade extension settings with another extension. When Walking Extension is executed, all extension settings (extension number, Class of Service (COS), One-touch Dialing memory, etc.) of the "old" extension are exchanged with the "new" extension. This feature is useful when an extension user moves desks, or when an extension user has no permanent desk. This feature is also known as Walking Station.

Conditions

- This feature allows extension settings to be switched between PTs and SLTs. Moving between tenants is also possible.
- Incoming calls to your extension will reach you at your new location.
- An extension personal identification number (PIN) is required to use this feature. (→ 6.1.8 Extension PIN (Personal Identification Number))
- If a DSS Console is connected to a PT and the DSS Console is continuously used with the PT after Walking Extension has been activated, the new extension number of the PT must be assigned as the paired extension through system programming.
- If the Walking Extension feature is performed at the same time that the target extension is being programmed by PC, the Walking Extension feature may not work properly. (→ 15.1.3 PC Programming)
- If this feature is performed using an extension with a Bluetooth wireless headset connected, the Bluetooth device cannot be used with the new extension. To use the Bluetooth wireless headset, register it to the new extension.
- This feature is not available for SIP extensions.

PC Programming Manual References

- 10.6.1 PBX Configuration—[2-6-1] System—Numbering Plan—Main—Features—◆ Walking Extension
- 12.1.1 PBX Configuration—[4-1-1] Extension—Wired Extension—Extension Settings—Main—◆ Extension PIN

Operating Manual References

- 1.3.74 Walking Extension

22.1.3 Walking Extension, Enhanced

Description

It is possible to use the Walking Extension feature with extensions in Service-in (functions normally) and Service-out (cannot make CO line calls or receive calls) modes, allowing extensions and locations (i.e., telephones) to be utilized more efficiently. Extensions can be set to Service-out mode when the extension user is not using the extension or to prevent calls from being made or received when no one is using the location. The extension can then be changed to Service-in mode when the extension user wishes to use the extension. Enhanced Walking Extension can be utilized as follows:

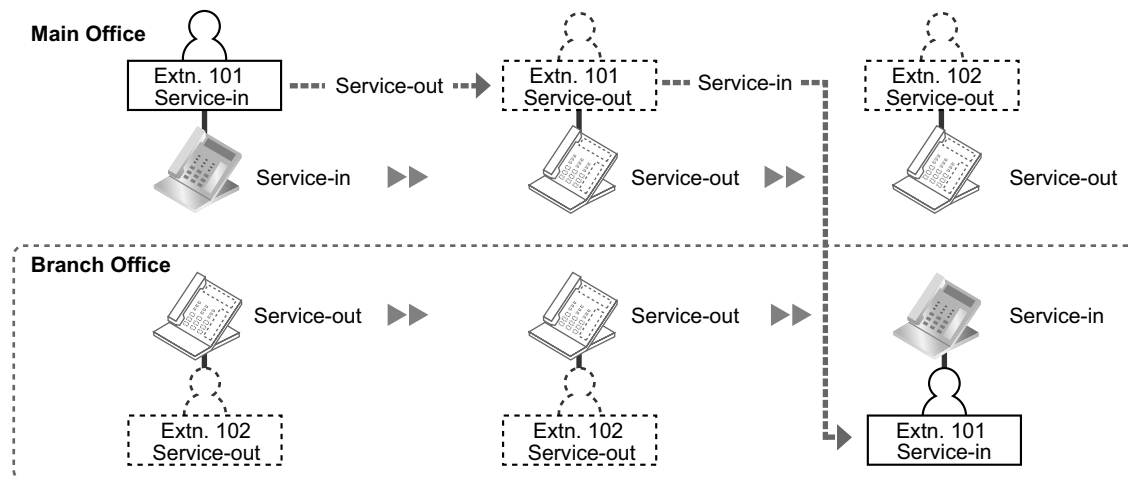
- **When a single extension user uses multiple telephones**
Extension users can switch locations with a Service-out extension. This allows extension users to use their settings at another location while the previous location is in service-out mode. This is ideal for when extension users need to work at multiple locations, such as another department, branch office, or at home.
- **When multiple extension users use the same telephone**
Extension users can change the service status of their Service-out extension to Service-in mode and switch locations with another extension with a simple operation. This is ideal for when the same telephone is used by multiple extension users who work in shifts.

Service-out mode

When an extension is in Service-out mode, the DND and Extension Lock features are set on the extension, preventing the extension from making CO line calls and receiving calls.

[Example]

Extension settings can be used at other locations as follows:



Explanation:

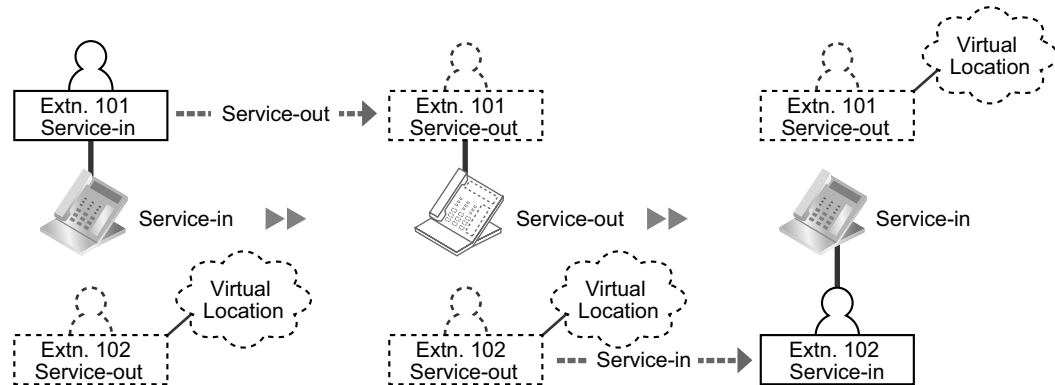
The extension user of extension 101 changes to Service-out mode at the main office. He then changes his extension to Service-in mode and switches extension settings at the branch office.

Virtual Locations

Instead of assigning all extensions to telephones, it is possible to store unused extensions (i.e., Service-out mode) on a preinstalled extension card (i.e., settings are made but no physical location is utilized). When the extension needs to be used, the extension can switch locations and service status with an extension on a physical location (i.e., a location with a telephone).

[Example]

Extension settings can be switched allowing multiple extension users to use the same telephone as follows:



Explanation:

The extension user of extension 101 changes to service out mode. The extension user of extension 102 switches extension settings and changes his extension to Service-in mode.

Conditions

- This feature is not available for PSs, T1 OPX extensions, and SIP extensions.
- An extension personal identification number (PIN) is required to use this feature. (→ 6.1.8 Extension PIN (Personal Identification Number))

PC Programming Manual References

10.6.1 PBX Configuration—[2-6-1] System—Numbering Plan—Main—Features—◆ Walking Extension

Feature Manual References

22.1.2 Walking Extension

Operating Manual References

1.3.75 Walking Extension, Enhanced

22.1.4 Whisper OHCA

Description

An extension user can speak to a busy extension through the handset.

Conditions

- Class of Service (COS) programming determines which extensions can use this feature.
- This feature is available when the calling and called extension use one of the following telephones:
 - KX-DT300 series
 - KX-T7600 series
 - KX-T7400 series (except KX-T7451)

- IP-PT
- If the Whisper OHCA feature cannot be used due to COS or telephone type, a call waiting tone will be sent to the called extension. (→ 4.1.12 Call Waiting Tone)
- To receive Whisper OHCA on an IP-PT, the preferred codec must be either G.711 or G.729A. When an extension user is on a call using the G.722 codec and receives Whisper OHCA, he will hear the Call Waiting tone instead. (→ 4.1.12 Call Waiting Tone)
- If the called extension does not use a KX-DT300, KX-T7600, or KX-T7400 series telephone, or an IP-PT, but forces Whisper OHCA, the announcement may be heard by the other party.
- It is possible to enable Whisper OHCA on any telephone, however, it may not function properly (the caller's voice may be heard by both callers, for example).
- While an extension is receiving a Whisper OHCA, if the extension user places the current CO line call on hold or transfers the current intercom call or CO line call, the Whisper OHCA will become disabled and the calling extension will hear a ringback tone.
- While an extension is receiving a Whisper OHCA, if the extension user places the current intercom call on hold, the called extension can talk to the calling extension through the handset.

PC Programming Manual References

- 9.15 PBX Configuration—[1-1] Configuration—Slot—V-IPEXT32—Port Property—Option—◆ IP Codec Priority
- 10.6.3 PBX Configuration—[2-6-3] System—Numbering Plan—B/NA DND Call Feature
 - ◆ BSS / OHCA / Whisper OHCA / DND Override
 - ◆ BSS / OHCA / Whisper OHCA / DND Override-2
- 10.7.1 PBX Configuration—[2-7-1] System—Class of Service—COS Settings—Assistant—◆ OHCA / Whisper OHCA

Feature Manual References

- 4.1.22 COS (Class of Service)

Operating Manual References

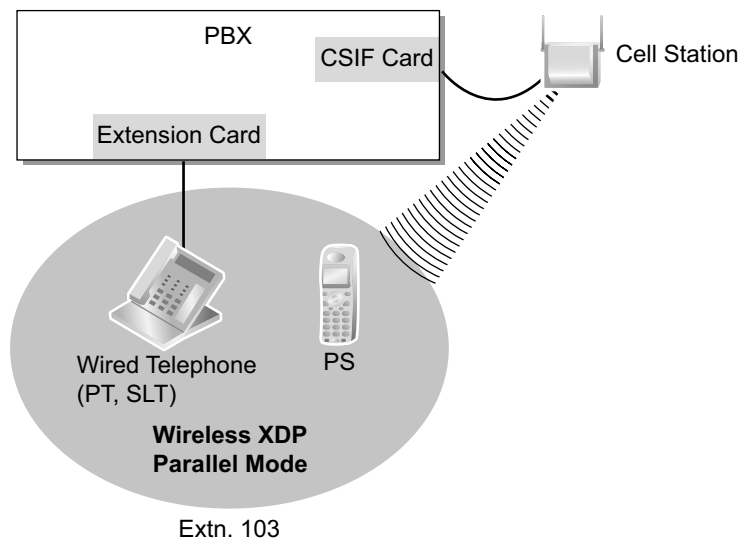
- 1.3.76 Whisper OHCA

22.1.5 Wireless XDP Parallel Mode

Description

A portable station (PS) can be used in parallel with a wired telephone, i.e., a proprietary telephone (PT) or single line telephone (SLT), allowing an extension user to make or receive calls with either the wired telephone or the PS. The PS will use the same extension number as the wired telephone, and many of the wired telephone's extension settings (Call Forwarding [FWD], Class of Service [COS], etc.) are also used by the PS. In order to use a PS in Wireless XDP Parallel mode, the mode must be turned on using the PS.

[Example of Wireless XDP Parallel Mode, XDP Parallel Mode]



Conditions

- Whether or not a PS is allowed to pair itself with a wired telephone is determined by the COS assigned to the extension number of the wired telephone.
- Wireless XDP Parallel mode can be turned on or off using the PS only.
- To switch between the wired telephone and the PS during a conversation, simply go off-hook with the other telephone. Alternatively, to seize a separate line, use another method, such as pressing a CO or INTERCOM button.
In addition, going off-hook with the other telephone seizes a separate line when the extension is:
 - a. Engaged in a conference call. (→ 4.1.18 Conference, → 6.1.5 Executive Busy Override, → 15.1.11 Privacy Release)
 - b. Screening a call using Live Call Screening (LCS) or when recording a conversation using Two-way Record. (→ 20.1.51 Unified Messaging—Live Call Screening (LCS) and 20.1.90 Unified Messaging—Two-way Record/Two-way Transfer)
 - c. Being monitored by another extension. (→ 4.1.6 Call Monitor)
 - d. Receiving OHCA (DPT over a stacking connection only) (→ 14.1.3 OHCA (Off-hook Call Announcement)).
 - e. When the extension has a call on consultation hold. (→ 4.1.21 Consultation Hold)
- When a PS in Wireless XDP Parallel mode is on a call, other extension users cannot perform the following features when they call this extension:
 - Executive Busy Override (→ 6.1.5 Executive Busy Override)
 - Whisper OHCA (→ 22.1.4 Whisper OHCA)
- If a PS is paired with a SIP extension, both telephones will ring when a call arrives. However, no other functions are available, such as switching the call between telephones.
- If an incoming call arrives while the PS is on a call, the wired extension will indicate an incoming call but will not ring. However, if the wired telephone is a SIP extension, the telephone will ring.
- When a PS is paired with a wired telephone, most of the extension settings assigned to the wired telephone (extension number, extension name, etc.) will be used by the PS, and the PS will use its own extension settings once again when Wireless XDP Parallel mode is canceled. Note, however, that the following extension settings of the wired telephone are copied to the extension settings of the PS when Wireless XDP Parallel mode is activated, and will remain in effect for the PS after the mode is canceled.
 - Call Waiting Setting (→ 4.1.11 CALL WAITING FEATURES)

- FWD/Do Not Disturb (DND) Setting (→ 5.1.11 DND (Do Not Disturb), → 7.1.6 FWD (Call Forwarding))
 - Call Pickup Deny Setting (→ 4.1.8 Call Pickup)
 - Executive Busy Override Deny Setting (→ 6.1.5 Executive Busy Override)
 - Itemized Billing Code for Automatic Route Selection (ARS) (→ 2.1.3 ARS (Automatic Route Selection))
 - Calling Line Identification Presentation (CLIP) Number and CLIP Number Selection (→ 4.1.15 CLIP (Calling Line Identification Presentation))
 - Calling Line Identification Restriction (CLIR) and Connected Line Identification Restriction (COLR) Settings (→ 4.1.15 CLIP (Calling Line Identification Presentation))
 - Extension Personal Identification Number (PIN) (→ 6.1.8 Extension PIN (Personal Identification Number))
 - COS Programming (→ 4.1.22 COS (Class of Service))
 - Extension User Group (→ 8.1.1 GROUP FEATURES)
 - Transfer Recall Destination for Call Transfer and Call Park (→ 4.1.7 Call Park, → 4.1.10 Call Transfer)
 - The PS will retain its original settings for the following items even when in Wireless XDP Parallel mode. These settings can be set on the wired telephone and PS independently, and the settings can be different.
 - Ring Tone Pattern Table Selection (→ 17.1.2 Ring Tone Pattern Selection)
 - Preferred Line Assignment—Incoming (→ 12.1.2 Line Preference—Incoming)
 - Preferred Line Assignment—Outgoing (→ 12.1.3 Line Preference—Outgoing)
 - Hot Line Setting (→ 9.1.6 Hot Line)
 - Display Language (→ 5.1.10 Display Information)
 - ISDN Bearer Mode (→ 10.1.16 ISDN (INTEGRATED SERVICES DIGITAL NETWORK) FEATURES)
 - Flexible Button Assignment (→ 7.1.3 Flexible Buttons)
 - Transfer Recall Destination for Call Transfer and Call Park (The setting assigned to the wired telephone will first be copied to the PS's extension settings, then can be changed for the PS if necessary.) (→ 4.1.7 Call Park, → 4.1.10 Call Transfer)
- If an extension number is required when changing any PS settings while in Wireless XDP Parallel mode, use the original extension number assigned to the PS, not the extension number of the paired (wired) telephone.
- If the Extension Feature Clear is performed, the corresponding extension data for both the wired telephone and the PS will be cleared. (→ 6.1.7 Extension Feature Clear)
 - When a call arrives, both the wired telephone and the PS will ring. However, when one of the following settings is made, only the telephone which was used to make the setting will ring.
 - Automatic Callback Busy (→ 2.1.4 Automatic Callback Busy (Camp-on))
 - Transfer Recall (→ 4.1.10 Call Transfer)
 - Hold Recall (→ 4.1.4 Call Hold)
 - Call Park Recall (→ 4.1.7 Call Park)

PC Programming Manual References

- 9.30 PBX Configuration—[1-2] Configuration—Portable Station—PS Registration and De-registration
- 10.6.1 PBX Configuration—[2-6-1] System—Numbering Plan—Main—Features—◆ Wireless XDP Parallel Mode Set / Cancel
- 10.7.1 PBX Configuration—[2-7-1] System—Class of Service—COS Settings—Optional Device & Other Extensions—◆ Accept Wireless XDP Parallel Mode Set by PS
- 12.1.1 PBX Configuration—[4-1-1] Extension—Wired Extension—Extension Settings—Option 1—◆ Wireless XDP

Feature Manual References

4.1.22 COS (Class of Service)

Operating Manual References

1.3.77 Wireless XDP Parallel Mode

Section 23

Appendix

23.1 Capacity of System Resources

System

Item	Capacity
Absent Message—Extension	1 × 16 characters
Absent Message—System	8 × 16 characters
Call Park Zone	100
Conference	3 – 8 parties per conference 72 parties total per KX-NS1000 PBX 32 parties total per legacy gateway
COS	64
DID Table	32 digits, 1000 entries
Extension number	1 – 5 digits
Extension Personal Identification Number (PIN)	10 digits, 1 entry/extension
Host PBX Access Code	10 digits, 10 entries/trunk group
Number of Characters of Name	20
Printing message	8
Queuing Time Table	128
Ring Tone Pattern Plan	8
Simultaneous Programmers	<ul style="list-style-type: none"> • one manager programmer + 63 personal programmers • 64 personal programmers
SMDR Call Storage	1000 calls
Special Carrier Access Code	16 digits, 100 entries
Tenant	32
Time Service Holiday	24
Verification Code	4 digits, 1000 entries
Verification Code Personal Identification Number (PIN)	10 digits, 1000 entries

Dialing

Item	Capacity
Emergency Call	32 digits, 10 entries
Hot Line	32 digits
Personal Speed Dialing	32 digits, 100 entries/extn.
Quick Dialing	8 digits, 4000 entries

Item	Capacity
Redial	32 digits
System Speed Dialing	32 digits, 1000 entries/tenant
One-touch Dialing—PT	32 digits, 5000 entries/system
One-touch Dialing—PS	32 digits, 1000 entries/system

Groups

Item	Capacity
Conference Group	8 (8 members/group for Conference Group Mode, 32 members/group for Broadcast Mode)
Call Pickup Group	96
Idle Extension Hunting Group	128 (16 extensions/group)
Incoming Call Distribution Group	128 (128 extensions/group)
Paging Group	96
PS Ring Group	32
Trunk Group	96
VM (DPT) Group	8 groups × 12 ports (24 channels)
VM (DTMF) Group	8 groups × 32 channels
UM Group	1 group per PBX
P2P Group	256

TRS

Item	Capacity
TRS Level	7
TRS Denied Code	16 digits, 100 entries/level
TRS Exception Code	16 digits, 100 entries/level

ARS

Item	Capacity
Routing Plan Table	48 entries
Leading Number Table	16 digits, 1000 entries
Leading Number Exception Table	16 digits, 200 entries
ARS Carrier	48

Item	Capacity
Itemized Billing Code	10 digits
Authorization Code for Tenant	16 digits
Authorization Code for Trunk Group	10 digits

Call Log and Message Waiting

Item	Capacity
Outgoing Call Log—PT	100 records/extn. 5000 records/system
Outgoing Call Log—PS	100 records/extn. 2560 records/system
Incoming Call Log—PT	100 records/extn. 10,000 records/system
Incoming Call Log—PS + Incoming Call Distribution Group	100 records/extn. or group Total 5120 records/system
Message Waiting—PS + Incoming Call Distribution Group	640
Message Waiting—PT + SLT	1000

Outgoing Message (OGM)

Item	Capacity
Outgoing Message (OGM)	64
OGM Total Recording Time	Approx. 64 minutes

Hospitality Features

Item	Capacity
Hotel Operator	4

Networking

Item	Capacity
One-look Networking	1 Master unit 15 Slave units
TIE Line Routing and Modification Table	32 entries
Leading Number	3 digits
PBX Code	7 digits

Item	Capacity
NDSS: Monitored PBXs	8
NDSS: Registered Extensions for Monitor PBX	250

Unified Messaging

Item	Capacity
Mailboxes	1022 subscriber mailboxes 1 System Manager mailbox 1 Message Manager mailbox
Group Distribution List	User: 4 groups, 40 members per group System: 20 groups, 200 members per group
Service Group	64 entries
Unified Messaging Ports	24 ports

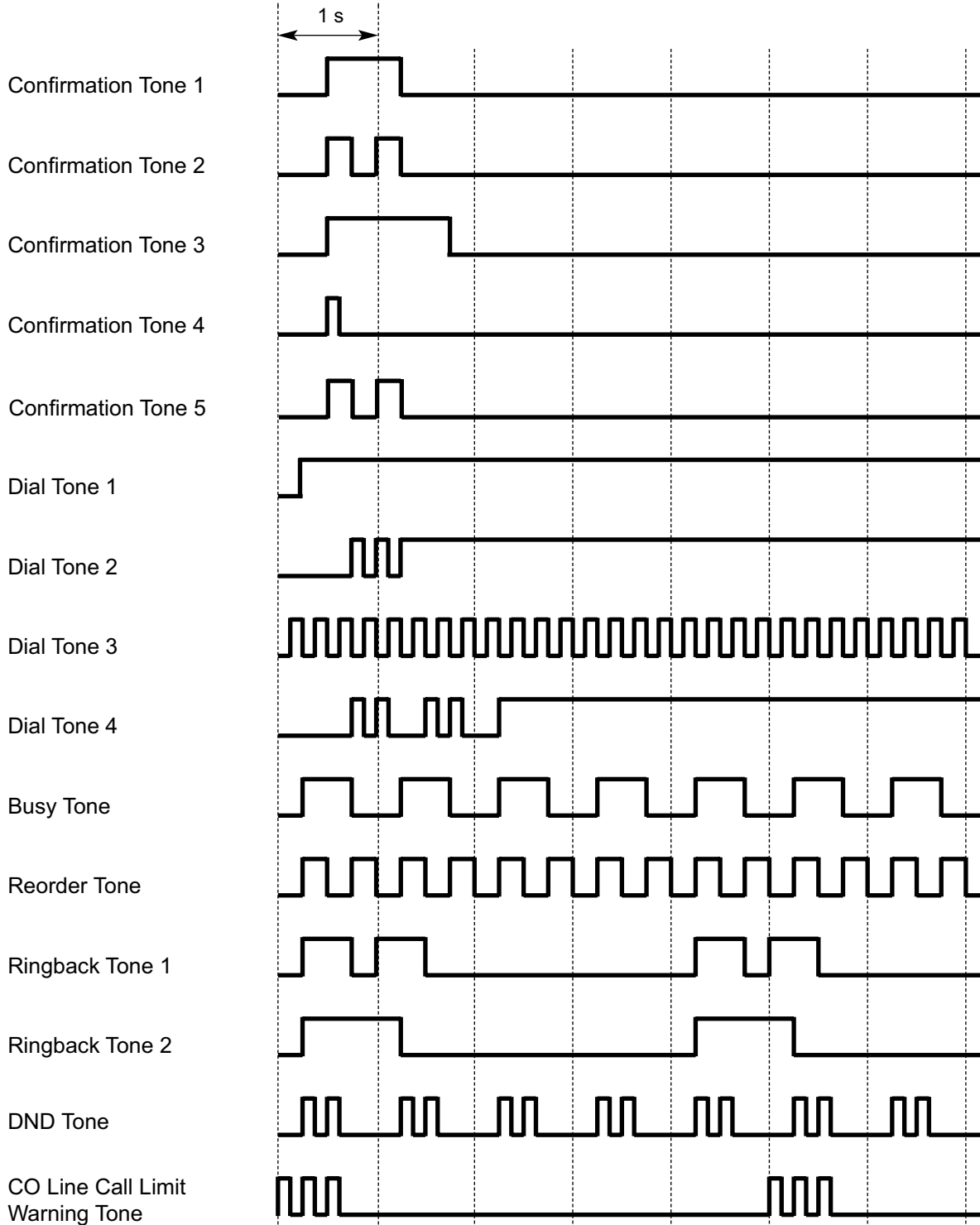
Web Maintenance Console Accounts

Item	Capacity
Users (User)	1512 accounts ^{*1}
Users (Administrator)	32 accounts
Installer	1 account
Password (all account types)	4 – 16 characters

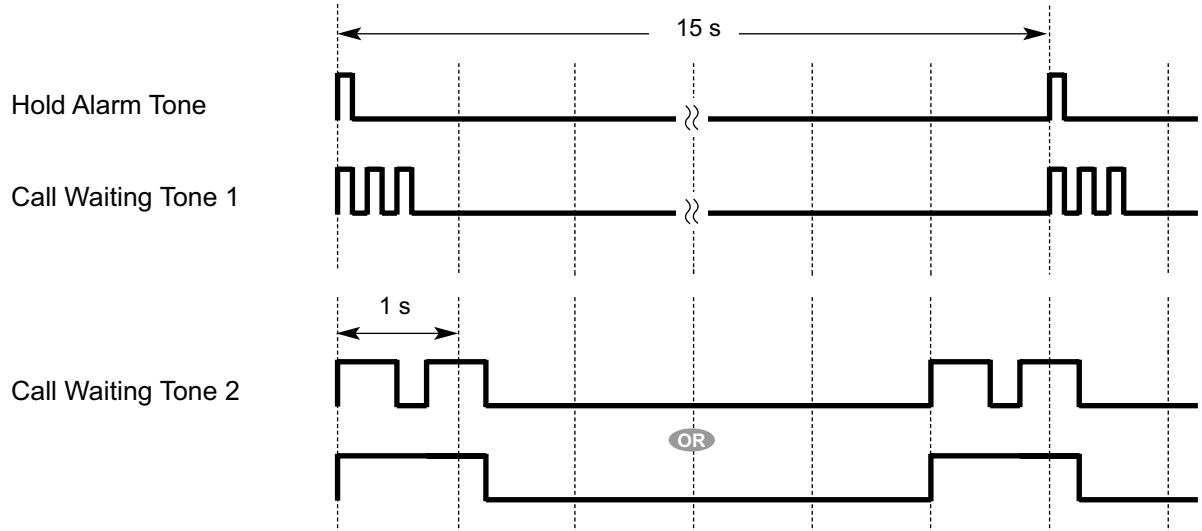
*1 The total number of administrator and user accounts combined cannot exceed 1512.

23.2 Tones/Ring Tones

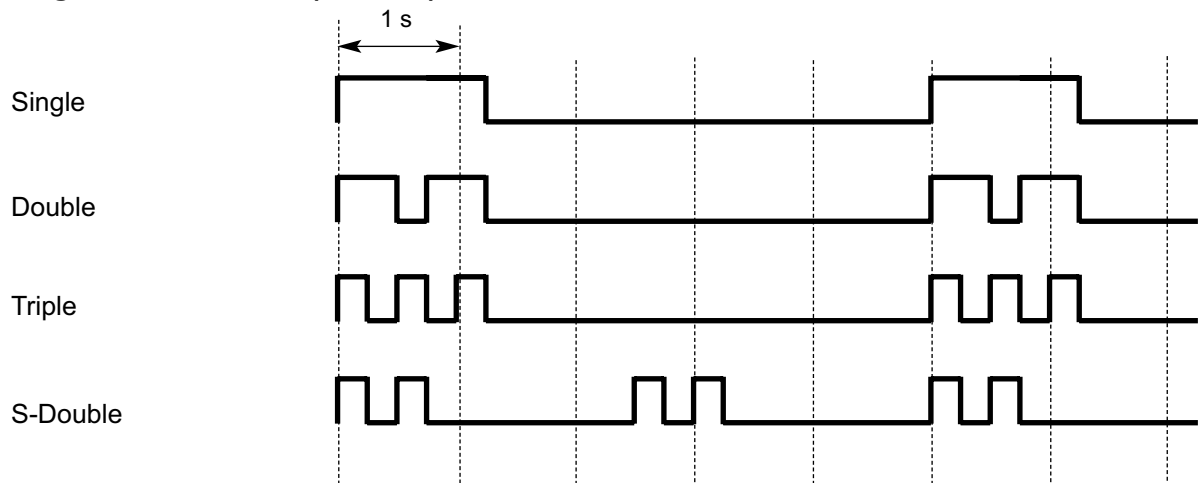
Tone Patterns (Default)



Tone Patterns (Default)



Ring Tone Patterns (Default)*



23.3 Features that Require Activation Keys

Feature	Required Activation Keys
CA (Communication Assistant) (→ 4.1.1 CA (Communication Assistant))	→ Refer to the documentation for CA.
Computer Telephony Integration (CTI) (→ 4.1.24 CTI (Computer Telephony Integration))	Activation Key for CTI interface (KX-NSF101)
DISA Automatic Walking COS (→ 5.1.9 DISA (Direct Inward System Access))	Activation Key for Mobile Extension (KX-NSE101, KX-NSE105, KX-NSE110, KX-NSE120)
Parallel Ringing When Forwarding to CO line (→ 7.1.6 FWD (Call Forwarding))	Activation Key for Mobile Extension (KX-NSE101, KX-NSE105, KX-NSE110, KX-NSE120)
Outside Destinations in Incoming Call Distribution Group (→ 10.1.4 ICD Group Features—Outside Destinations)	Activation Key for Mobile Extension (KX-NSE101, KX-NSE105, KX-NSE110, KX-NSE120)
One-look Networking (→ 14.1.4 One-look Network)	Activation Key for One-look Network (KX-NSN001)
Common Extension Numbering for 2 PBXs (→ 15.1.12 PRIVATE NETWORK FEATURES—Common Extension Numbering for 2 PBXs)	Activation Key for QSIG Network (KX-NSN002)
Centralized Voice Mail (→ 15.1.13 Private Network Features—Centralized Voice Mail)	Activation Key for QSIG Network (KX-NSN002)
Network Direct Station Selection (NDSS) (→ 15.1.14 Private Network Features—NDSS (Network Direct Station Selection))	Activation Key for QSIG Network (KX-NSN002)
Network ICD Group (→ 15.1.15 Private Network Features—Network ICD Group)	Activation Key for Mobile Extension (KX-NSE101, KX-NSE105, KX-NSE110, KX-NSE120)
PS Roaming by Network ICD Group (→ 15.1.16 Private Network Features—PS Roaming by Network ICD Group)	Activation Key for Mobile Extension (KX-NSE101, KX-NSE105, KX-NSE110, KX-NSE120)
QSIG Enhanced Features (→ 15.1.22 Private Network Features—QSIG—Enhanced Features)	Activation Key for QSIG Network (KX-NSN002)
Common Extension Numbering for Multiple PBXs (→ 15.1.23 Private Network Features—VoIP (Voice over Internet Protocol)—Common Extension Numbering for Multiple PBXs)	Activation Key for QSIG Network (KX-NSN002)
UM Port Expansion (→ 20.1.2 UNIFIED MESSAGING FEATURES)	2-Channel/4-Channel Unified Messaging Activation Key (KX-NSU102, KX-NSU104)

Feature	Required Activation Keys
Automatic Two-way Recording for Manager (→ 20.1.9 Unified Messaging—Automatic Two-way Recording for Manager)	Activation Key for Two-way Recording Control (KX-NSU002)
IMAP Integration (→ 20.1.45 Unified Messaging—IMAP Integration)	Activation Key for Unified Messaging E-mail Notification (KX-NSU201, KX-NSU205, KX-NSU210, KX-NSU220, KX-NSU299)
Message Waiting Notification—E-mail Device (→ 20.1.58 Unified Messaging—Message Waiting Notification—E-mail Device)	Activation Key for Unified Messaging E-mail Notification (KX-NSU201, KX-NSU205, KX-NSU210, KX-NSU220, KX-NSU299)
Microsoft Outlook Integration (→ 20.1.61 Unified Messaging—Microsoft Outlook Integration)	Activation Key for Unified Messaging E-mail Notification (KX-NSU201, KX-NSU205, KX-NSU210, KX-NSU220, KX-NSU299)
Scheduled Backup for Unified Messaging (→ 20.1.81 Unified Messaging—System Backup/Restore)	Activation Key for Message Backup (KX-NSU003)
Two-way Record/Two-way Transfer (→ 20.1.90 Unified Messaging—Two-way Record/Two-way Transfer)	Activation Key for Two-way Recording (KX-NSU301, KX-NSU305, KX-NSU310, KX-NSU320, KX-NSU399)

23.4 Supported Management Information Base (MIB) Table

System Group (1.3.6.1.2.1.1)

Object ID	Item	Description
1	sysDescr	Information of Hardware type and Software version of the Device.
2	sysObjectID	Object identifier of this product.
3	sysUpTime	Elapsed time since the system was restarted.
4	sysContact	Device Administrator.
5	sysName	Name of Device.
6	sysLocation	Installation Location of Device.
7	sysService	Support Layer.

Interface Group (1.3.6.1.2.1.2)

Object ID	Item	Description
1	ifNumber	The number of Network Devices.
2	IfTable (NA)	Management Table by each Network Device.
2.1	IfEntry (NA)	Components of ifTable.
2.1.1	ifIndex	Each interface identifier.
2.1.2	ifDescr	Explanation of Interface.
2.1.3	ifType	Type of Interface.
2.1.4	ifMtu	Maximum Datagram Length which can be sent/received.
2.1.5	ifSpeed	Maximum Transfer Speed.
2.1.6	ifPhysAddress	Physical Address (MAC Address).
2.1.7	ifAdminStatus	The desired state of the interface.
2.1.8	ifOperStatus	The current operational state of the interface.
2.1.9	ifLastChange	The value of sysUpTime at the time the interface entered its current operational state (up or down).
2.1.10	ifInOctets	The number of Octets received.
2.1.11	ifInUcastPkts	The number of Unicast Packets delivered to a higher-layer protocol.
2.1.12	ifInNUcastPkts	The number of Non Unicast Packets delivered to a higher-layer protocol.
2.1.14	ifInErrors	The number of inbound Packets that contained errors.
2.1.15	ifInUnknownProtos	The number of Packet received which are discarded because of an unknown/unsupported protocol.

Object ID	Item	Description
2.1.16	ifOutOctets	The number of Octets transmitted.
2.1.17	ifOutUcastPkts	The number of Unicast Packets which are received from upper protocol.
2.1.18	ifOutNUcastPkts	The number of Non Unicast Packets which are received from upper protocol.
2.1.21	ifOutQLen	The length of the output packet queue (in packets).
2.1.22	ifSpecific	Relevant MIB object identifier.

IP Group (1.3.6.1.2.1.4)

Object ID	Item	Description
1	ipForwarding	The value which indicates operation availability as a router (whether Datagram is transferred or not).
2	ipDefaultTTL	Default value for IP Packet TTL (Time to Live).
3	ipInReceives	The total number of Packets received (including packet received in error).
4	ipnHdrErrors	The number of Packets discarded due to errors in their header.
5	ipInAddrError	The number of Packets discarded because IP Address of the destination was invalid.
7	ipInUnknownProtos	The number of Packets discarded because the protocol was unknown/unsupported.
8	ipInDiscards	The number of incoming Packets discarded because of an insufficient reception buffer.
9	ipInDelivers	The total number of Packets received (including ICMP) normally.
10	ipOutRequests	The total number of IP Packets (ICMP) which are tried to be transmitted (relay Packet is not included).
13	ipReasmTimeout	The maximum number of seconds required in the buffer to rebuild a fragmented Packet.
14	ipReasmReqds	The number of Packets that required rebuilding from a fragmented state.
15	ipReasmOKs	The number of Packets that were rebuilt correctly from a fragmented state.
16	ipReasmFails	The number of Packets that could not be rebuilt correctly from a fragmented state.
17	ipFragOKs	The number of Packets that were fragmented correctly.
18	ipFragFails	The number of Packets that could not be fragmented correctly.
19	ipFragCreates	The number of IP datagrams created due to fragmentation.

23.4 Supported Management Information Base (MIB) Table

Object ID	Item	Description
20	ipAddrTable (NA)	Management Table of addressing information relevant to this entity's IP addresses.
20.1	IpAddrEntry (NA)	Components of ipAddrTable.
20.1.1	IpAdEntAddr	IP Address.
20.1.2	IpAdEntIfindex	Index value of the Interface which is assigned to IP address.
20.1.3	IpAdEntNetMask	The Subnet Mask associated with IP address.
20.1.4	ipAdEntBcastAddr	Broadcast Address Value associated with IP Address.
20.1.5	IpAdEntReasmMaxSize	The size of the largest IP Datagram which can be sent/received through IP Address.

ICMP Group (1.3.6.1.2.1.5)

Object ID	Item	Description
1	cmplnMsgs	The total number of ICMP messages received (excluded, with error).
2	icmplnErrors	The total number of ICMP messages received which contained error.
8	icmplnEchos	The total number of ICMP echo request messages received.
9	icmplnEchoReps	The total number of ICMP echo answering messages received.
14	icmpOutMsgs	The number of ICMP messages which were sent.
15	icmpOutErrors	The number of ICMP messages which were not sent because of error.
21	icmpOutEchos	The number of ICMP Echo request messages sent.
22	icmpOutEchoReps	The number of ICMP Echo Reply messages sent.

TCP Group (1.3.6.1.2.1.6)

Object ID	Item	Description
1	tcpRtoAlgorithm	The algorithm used to determine the timing of retransmitting when a response was unacknowledged.
2	tcpRtoMin	Minimum value permitted for retransmission timeout (in milliseconds).
3	tcpRtoMax	Maximum value permitted for retransmission timeout (in milliseconds).
4	tcpMaxConn	Maximum number of TCP connections which can be supported.
5	tcpActiveOpens	The total number of Active open TCP connections.
6	tcpPassiveOpens	The total number of Passive open TCP connections.

Object ID	Item	Description
7	tcpAttemptFails	The total number of connections error.
8	tcpEstabResets	The total number of resets.
10	tcpInSegs	The total number of segments received.
11	tcpOutSegs	The total number of segments sent.
12	tcpRetransSegs	The total number of segments retransmitted.
14	tcpInErrs	The total number of segments received in error.
15	tcpOutRsts	The total number of TCP segments sent containing the RST flag (reset connection).

UDP Group (1.3.6.1.2.7)

Object ID	Item	Description
1	udpInDatagrams	The total number of UDP Datagrams received.
2	udpNoPorts	The total number of received UDP Datagrams for which there was no application at the destination port.
3	udpInError	The total number of received UDP Datagrams which contained error.
4	udpOutDatagrams	The total number of UDP Datagrams sent.

SNMP Group (1.3.6.1.2.1.11)

Object ID	Item	Description
1	snmpInPkts	The total number of SNMP messages received.
2	snmpOutPkts	The total number of SNMP messages sent.
3	snmpInBadVersions	The total number of received SNMP messages of which version is unsupported.
4	snmpInBadCommunityNames	The total number of SNMP messages with unknown Community Name.
6	snmpInASNParseErrs	The total number of SNMP messages with incorrect OID type.
13	snmpInTotalReqVars	The total number of Objects which have been retrieved value successfully.
15	snmpInGetRequests	The total number of Get-Request which have been accepted and processed (e.g. Data extract by using snmpget/snmpwalk command).
16	snmpInGetNexts	The total number of Get-Next which have been accepted and processed (for at the time of following a layer-tree by using snmpwalk command).
20	snmpOutTooBig	The total number of sent SNMP messages which returned an error of "TooBig".

23.4 Supported Management Information Base (MIB) Table

Object ID	Item	Description
21	snmpOutNoSuchNames	The total number of sent SNMP messages which returned an error of "NoSuchName".
24	snmpOutGenErrs	The total number of sent SNMP messages which returned an error of "GenErr".
28	snmpOutGetResponses	The total number of GetResponse sent.
29	snmpOutTraps	The total number of TRAP sent.
30	snmpEnableAuthenTraps	Indicates whether the SNMP agent process is permitted to generate authentication failure traps.

Index

- A**
- AA → Automated Attendant 92
 - Absent Message 20
 - Account Code Entry 21
 - Alarm Information, Local 202
 - Alternate Calling—Ring/Voice 186
 - Alternate Extension Group 353
 - Alternate Receiving/Calling Mode (Ring/Voice) Override 150
 - Alternate Receiving—Ring/Voice 186
 - ANI → Automatic Number Identification 45
 - Appendix 423
 - ARS → Automatic Route Selection 22
 - Authorization Code 26
 - Auto Forwarding 354
 - Auto Receipt 354
 - Automated Attendant (AA) 92, 354
 - Automatic Call Hold 49
 - Automatic Call Park 55
 - Automatic Call Waiting 61
 - Automatic Callback Busy (Camp-on) 27
 - Automatic Extension Release 28
 - Automatic Fax Delivery 355
 - Automatic Fax Transfer 29
 - Automatic Login 356
 - Automatic Log-out 166
 - Automatic Number Identification (ANI) 45
 - Automatic Privacy 240
 - Automatic Redial 304
 - Automatic Rerouting of VoIP Calls to Public CO Lines 290
 - Automatic Rerouting to Secondary PBX 30
 - Automatic Route Selection (ARS) 22
 - Automatic Station Release → Automatic Extension Release 28
 - Automatic Time Adjustment 32
 - Automatic Two-way Recording for Manager 357
 - Autoplay New Message 358
- B**
- Background Music (BGM) 39, 210
 - Backup Master Mode 36
 - BGM → Background Music 39, 210
 - BGM—External 39
 - Bluetooth Module 189
 - Bookmark 358
 - Boss & Secretary feature 137
 - Broadcasting Messages 358
 - Busy on Busy 170
 - Busy Override Deny, Executive 113
 - Busy Override, Executive 113
 - Busy Station Signaling (BSS) → Call Waiting 61
 - Buttons, Fixed 122
 - Buttons, Flexible 125
- C**
- CA (Communication Assistant) 42
 - Call Directory—Extension Dialing 186
 - Call Directory—Speed Dialing 325
 - Call Distribution Port Group 43
 - Call Forwarding (FWD) 134
 - Call Forwarding—QSIG (CF—QSIG) 280
 - Call Hold 49
 - Call Hold Retrieve Deny 50
 - Call Hold, Automatic 49
 - Call Log, Incoming 51
 - Call Log, Outgoing 304
 - Call Monitor 53
 - Call Park 54
 - Call Park Recall 55
 - Call Park Retrieve Deny 55
 - Call Pickup 56
 - Call Pickup Group 56, 144
 - Call Pickup, Directed 56
 - Call Services 359
 - Call Splitting 57
 - Call Transfer 58
 - Call Transfer Scenario 359
 - Call Transfer Status 359
 - Call Transfer to Outside 360
 - Call Transfer with Announcement 58
 - Call Transfer without Announcement 58
 - Call Transfer—QSIG (CT—QSIG) 283
 - Call Transfer—Screened → Call Transfer with Announcement 58
 - Call Transfer—Unscreened → Call Transfer without Announcement 58
 - Call Waiting Caller ID (Visual Caller ID) 62
 - CALL WAITING FEATURES 61
 - Call Waiting Tone 63
 - Callback Busy, Automatic (Camp-on) 27
 - Callback Number Entry 360
 - Caller ID 44
 - Caller ID Call Routing 361
 - Caller ID Callback 361
 - Caller ID Screening 361
 - Caller Name Announcement 362
 - Calling Line Identification (CLI) Distribution 65, 178
 - Calling Line Identification Presentation (CLIP) 44, 66
 - Calling Line Identification Presentation (CLIP)—QSIG 282
 - Calling Line Identification Restriction (CLIR) 67
 - Calling Line Identification Restriction (CLIR)—QSIG 283
 - Calling Name Identification Presentation (CNIP)—QSIG 282
 - Calling Name Identification Restriction (CNIR)—QSIG 283
 - Calling Party Control (CPC) Signal Detection 78
 - Call-through Service 362
 - Capacity of System Resources 424
 - Carrier Access Code, Special 323
 - CCBS—QSIG → Completion of Calls to Busy Subscriber—QSIG 279
 - CDPG → Call Distribution Port Group 43
 - CELLULAR PHONE FEATURES 64
 - Cellular Phone XDP Parallel 167
 - Centralized Voice Mail 265
 - CF—QSIG → Call Forwarding—QSIG 280
 - Circular Hunting 177
 - Class of Service (COS) 77, 363
 - CLI → Calling Line Identification Distribution 65, 178
 - CLIP → Calling Line Identification Presentation 44, 66
 - CLIP—QSIG → Calling Line Identification Presentation—QSIG 282
 - CLIR → Calling Line Identification Restriction 67
 - CLIR—QSIG → Calling Line Identification Restriction—QSIG 283

- CNIP—QSIG → Calling Name Identification Presentation—QSIG 282
 CNIR—QSIG → Calling Name Identification Restriction—QSIG 283
 CO Line Access 68
 CO Line Call Limitation 70
 Code Entry, Verified 408
 COLP → Connected Line Identification Presentation 66
 COLP—QSIG → Connected Line Identification Presentation—QSIG 282
 COLR → Connected Line Identification Restriction 67
 COLR—QSIG → Connected Line Identification Restriction—QSIG 283
 Company Greeting 363
 Company Name 364
 Completion of Calls to Busy Subscriber (CCBS)—QSIG 279
 Computer Telephony Integration (CTI) 78
 Conference 71
 Conference Group 73
 Conference Group Call 72
 Confirmation Tone 75
 Connected Line Identification Presentation (COLP) 66
 Connected Line Identification Presentation (COLP)—QSIG 282
 Connected Line Identification Restriction (COLR) 67
 Connected Line Identification Restriction (COLR)—QSIG 283
 Connected Name Identification Presentation (CONP)—QSIG 282
 Connected Name Identification Restriction (CONR)—QSIG 283
 CONP—QSIG → Connected Name Identification Presentation—QSIG 282
 CONR—QSIG → Connected Name Identification Restriction—QSIG 283
 Consultation Hold 76
 COS → Class of Service 77
 CO-to-CO Line Call Duration 70
 Cover Page, Fax 368
 Covering Extension 364
 CPC → Calling Party Control Signal Detection 78
 CTI → Computer Telephony Integration 78
 CT—QSIG → Call Transfer—QSIG 283
 Custom Service 365
 Custom Service Builder 366
- D**
- Data Line Security 82
 Default Mailbox Template 366
 Delayed Ringing 162
 Delete Message Confirmation 366
 Denied Code Tables 341
 DHCP (Dynamic Host Configuration Protocol) Assignment 82
 DHCP → Dynamic Host Configuration Protocol 82
 Dial Mode Selection 83
 Dial Tone 84
 Dial Tone Transfer 85
 Dialing by Name 366
 Dialing Digit Restriction during Conversation 70
 Dialing, One-touch 223
- DID → Direct Inward Dialing 86, 178
 DIL → Direct In Line 88, 178
 Direct CO Line Access 69
 Direct In Line (DIL) 88, 178
 Direct Inward Dialing (DID) 86, 178
 Direct Inward System Access (DISA) 89
 Direct Service Access 367
 Directed Call Pickup 56
 Directory, Call—Extension Dialing 186
 Directory, Call—Speed Dialing 325
 DISA → Direct Inward System Access 89
 DISA AA Service → DISA Built-in Automated Attendant Number 92
 DISA Automatic Walking COS 94
 DISA Intercept Routing—Busy 93
 DISA Intercept Routing—DND 94
 DISA Intercept Routing—No Answer 94
 DISA Intercept Routing—No Dial 92
 DISA Security Mode 93
 Display Information 98
 Display Lock 52, 324
 Distribution, Group Call 161
 DND → Do Not Disturb 99
 DND Override 100
 DND, Paging 100, 227
 Do Not Disturb (DND) 99
 Door Open 101
 Doorphone Call 101
 DSP Resource Advisor 103
 DSP Resource Reservation 105
 DSP Resources 106
 DSP usage graph 107
 Dynamic Host Configuration Protocol (DHCP) Server 83
- E**
- EFA → External Feature Access 110
 Electronic Station Lockout → Extension Dial Lock 114
 E-mail Notification for Extension Users 111
 E-mail Notification of System-level Events 112
 Emergency Call 113
 Emergency Greeting 367
 Enhanced Walking Extension 416
 Exception Code Tables 342
 Exclusive Call Hold 49
 Executive Busy Override 113
 Executive Busy Override Deny 113
 Extension Dial Lock 114
 Extension Feature Clear 115
 Extension Group 368
 Extension PIN (Personal Identification Number) 116
 Extension PIN Lock 116
 Extension Release, Automatic 28
 Extension User Group 144
 Extension-to-CO Line Call Duration 70
 External Feature Access (EFA) 110
 External Message Delivery Service 368
 External Relay 117
 External Sensor 118
- F**
- Fax Cover Page 368

Fax Driver 369
 Fax Server 370
 Fax Service 372
 Fax Transfer, Automatic 29
 Feature Clear, Extension 115
 Fixed Buttons 122
 Fixed Numbering 128
 Flash/Recall/Terminate 124
 Flexible Buttons 125
 Flexible Numbering/Fixed Numbering 128
 Floating Extension 133
 Floating Station → Floating Extension 133
 Forwarding to a Mailbox 372
 Full One-touch Dialing 223
 FWD → Call Forwarding 134
 FWD, Multiple 136
 FWD/DND Button, Group FWD Button 138
 FWD/DND Setting by Fixed FWD/DND button 139
 FWD—All Calls 134
 FWD—Busy 134
 FWD—Busy/No Answer 134
 FWD—Follow Me 134
 FWD—No Answer 134

G

Gateway Groups 289
 Group Call Distribution 161
 Group Call Pickup 56
 Group Distribution Lists 372
 GROUP FEATURES 144
 Group FWD Button Types 139
 Group, Call Distribution Port 43
 Group, Call Pickup 56, 144
 Group, Conference 73
 Group, Extension User 144
 Group, Idle Extension Hunting 145, 176
 Group, Incoming Call Distribution 145
 Group, Paging 145, 226
 Group, PS Ring 146, 295
 Group, Trunk 144
 Group, Unified Messaging (UM) 145

H

Handover 293
 Handset/Headset Selection → Headset Operation 151
 Hands-free Answerback 150
 Hands-free Operation 151
 Headset Operation 151
 Hold 373
 Hold Recall 49
 Hold Retrieve Deny, Call 50
 Hold, Call 49
 Hold, Exclusive Call 49
 Holiday Service 373
 Hospitality Mode 374
 Host PBX Access Code (Access Code to the Telephone Company from a Host PBX) 153
 Hot Line 155
 Hotel Operator 306
 Hunting, Circular 177
 Hunting, Idle Extension 176

Hunting, Priority 162
 Hurry-up Transfer → Manual Queue Redirection 172

I

ICD Group → Incoming Call Distribution Group 145, 158
 Idle Extension Hunting 176
 Idle Extension Hunting Group 145, 176
 Idle Line Access (Local Access) 68
 Idle Line Preference 201
 IMAP Integration 374
 Incoming Call Distribution Group 145
 INCOMING CALL FEATURES 178
 Incoming Call Log 51
 Incoming Call Queue Monitor 173
 Incomplete Call Handling Service 375
 Integrated Services Digital Network (ISDN) 190
 Intercept Routing 180
 Intercept Routing to a Mailbox 375
 Intercept Routing, DISA—Busy 93
 Intercept Routing, DISA—DND 94
 Intercept Routing, DISA—No Answer 94
 Intercept Routing, DISA—No Dial 92
 Intercept Routing—Busy 181
 Intercept Routing—DND 181
 Intercept Routing—No Answer (IRNA) 181
 Intercept Routing—No Destination 185
 Intercept Routing—Overflow in an Incoming Call Distribution Group 169
 Intercom Call 186
 Intercom Paging 376
 Internal Call Block 187
 Interrupt Redial 304
 Interview Service 376
 IP Cell Station 294
 IP-PT (IP Proprietary Telephone) 188
 IP-PT → IP Proprietary Telephone 188
 IRNA → Intercept Routing—No Answer 181
 ISDN → Integrated Services Digital Network) 190
 Isolated Mode 36
 Itemized Billing Code 26

K

KX-UT series SIP phone 194

L

LCS → Live Call Screening 378
 LED Indication 198, 230
 Line Preference Override 202
 Line Preference—Incoming 200
 Line Preference—Outgoing 201
 List All Names 377
 Live Call Screening (LCS) 378
 Local Alarm Information 202
 Lock, Display 52, 324
 Lock, Extension Dial 114
 Lock, Extension PIN 116
 Lock, Remote Extension Dial 114
 Logical Extension (All Calls Transfer to Mailbox) 378
 Log-in/Log-out 164
 Log-in/Log-out Monitor 166

M

Mailbox 379
 Mailbox Capacity Warning 379
 Mailbox-Automatic Configuration 400
 Making Calls with an SDN Button 230
 Manager Features 206
 Manager Service Switching 380
 Manual Queue Redirection 172
 Message Reception Mode 380
 Message Transfer 381
 Message Waiting 209
 Message Waiting Notification—E-mail Device 381
 Message Waiting Notification—Lamp 382
 Message Waiting Notification—Telephone Device 383
 Message, Absent 20
 Message, Outgoing (OGM) 214
 Message, Printing 239
 Microsoft Outlook Integration 384
 Monitor, Call 53
 Multilingual Service 385
 Multiple FWD 136
 Multiple Voice Mail Services 267
 Music on Hold 210
 Music, Background (BGM) 39
 Mute 212

N

NDSS → Network Direct Station Selection 269
 Network comparison (One-look—H.323 QSIG) 221
 Network Direct Station Selection (NDSS) 269
 Network ICD Group 274
 Network Time Protocol (NTP) 33
 Networking Survivability 222
 No DTMF Input Operation 385
 No Line Preference 200, 201
 NTP → Network Time Protocol 33
 Numbering, Flexible/Fixed 128

O

Off-hook Call Announcement (OHCA) 216
 Off-hook Monitor 214
 OGM → Outgoing Message 214
 OHCA (Off-hook Call Announcement) 216
 OHCA, Whisper 417
 On Hold Announcement Menu 385
 One-look Network 217
 One-look Network, Multiple time zones 219
 One-look Networking Survivability 222
 One-touch Dialing 223
 One-touch Dialing, Full 223
 One-touch Transfer 60
 Operator Call 224
 Operator Features 224
 Operator Service 386
 Operator, Hotel 306
 Outgoing Call Log 304
 Outgoing Message (OGM) 214
 Outlook Integration 384
 Outside Destinations in Incoming Call Distribution Group 167
 Overflow 169

P

Paging 226
 Paging Deny 226
 Paging DND 100, 227
 Paging Group 145, 226
 Password Administration 387
 Pause Insertion 228
 PC Programming 228
 PDN → Primary Directory Number 229
 Peer-to-Peer Connection 235
 Personal Custom Service 387
 Personal Greetings 388
 Personal Identification Number (PIN), Extension 116
 Personal Identification Number (PIN), Verification Code 408
 Personal Speed Dialing 324
 Pickup Dialing → Hot Line 155
 Pickup, Group Call 56, 144
 PIN → Extension Personal Identification Number 116
 PIN → Verification Code Personal Identification Number 408
 PIN Call Routing 389
 PIN Lock, Extension 116
 PING Confirmation 237
 Play System Prompt After Personal Greeting 389
 Port Service 389
 Portable Station (PS) 292
 Power Failure Connections 238
 Power Failure Restart 238
 Power Failure Transfer 238
 Predialing 239
 Primary Directory Number (PDN) 229
 Prime Line Preference 201, 202
 Printing Message 239
 Priority Hunting 162
 Privacy Release 240
 Private Message 390
 PRIVATE NETWORK FEATURES 240
 Programming, PC 228
 Programming, PT 299
 PS (Portable Station) 292
 PS Ring Group 146
 PS Roaming by Network ICD Group 276
 PS—Directory 294
 PS—Feature Buttons 295
 PS—Ring Group 295
 PT Programming 299
 Pulse to Tone Conversion 83

Q

QSIG 277
 QSIG—Enhanced Features 285
 Queue Redirection, Manual 172
 Queuing 170
 Quick Dialing 302

R

Recall 124
 Recover Message 390
 Redial, Automatic 304
 Redial, Interrupt 304

Redial, Last Number 304
 Relay, External 117
 Remote Absent Message 390
 Remote Call Forwarding Set 391
 Remote Control 173
 Remote Extension Dial Lock 114
 Remote Station Lock Control → Remote Extension Dial Lock 114
 Remote Time Service Set 392
 Remote Wake-up Call 339
 Resources, DSP 106
 Ring 162
 Ring Tone Pattern Selection 305
 Ringing Line Preference 201
 Room Status Control 306
 Route Selection, Automatic (ARS) 22

S

S-CO Line Access 68
 Screening, Live Call (LCS) 378
 SDN → Secondary Directory Number 229
 SDN Direct Dial 230
 SDN Walking COS 230
 Secondary Directory Number (SDN) 229
 Security Mode, DISA 93
 Send to Fax Machine 392
 Sending Faxes Through the Network 291
 Sensor, External 118
 Service Group 392
 Service-out mode 416
 Simple Remote Connection 310
 Simplified Tutorial 393
 SIP (Session Initiation Protocol) CO Line 313
 SIP (Session Initiation Protocol) Extension 312
 SMDR → Station Message Detail Recording 315
 SNMP (Simple Network Management Protocol) System Monitor 322
 SNMP → Simple Network Management Protocol 322
 Software Upgrading 404
 Special Carrier Access Code 323
 Speed Dialing, Personal 324
 Speed Dialing, System 325
 Splitting, Call 57
 Stacking Connection 326
 Station Hunting → Idle Extension Hunting 176
 Station Message Detail Recording (SMDR) 315
 Station Password Lock → Extension PIN Lock 116
 Station Program Clear → Extension Feature Clear 115
 Station Speed Dialing → Personal Speed Dialing 324
 Subscriber Tutorial 393
 Supervisory 173
 Supported Management Information Base (MIB) Table 432
 Survivability, One-look Networking 222
 Syslog Record Management 327
 System Backup/Restore 394
 System Prompts 395
 System Reports 395
 System Security 396
 System Speed Dialing 325

T

T.38 protocol 291
 TAFAS → Trunk Answer From Any Station 330
 Tenant Service 330
 Tenant-to-Tenant Call Block 332
 Terminate 124
 Terminated Hunting 177
 TIE Line 240
 Time Service 335
 Timed Reminder 339
 Timed Reminder Setting 396
 Toll Restriction (TRS) 340
 Toll Saver 397
 Tone, Call Waiting 63
 Tone, Confirmation 75
 Tone, Dial 84
 Tones/Ring Tones 428
 Transfer Recall 58
 Transfer Recall to a Mailbox 398
 Transfer to Mailbox 398
 Transfer, Call 58
 Transfer, One-touch 60
 TRAP Implementation 322
 TRS → Toll Restriction 340
 TRS Level 342
 TRS Override by System Speed Dialing 342
 Trunk Adaptor 347
 Trunk Answer From Any Station (TAFAS) 330
 Trunk Group 144
 Trunk Group Access 68
 Trunk Service (Universal Port) 398
 Two-way Record/Two-way Transfer 399

U

UCD → Uniform Call Distribution 162
 UM Group → Unified Messaging Group 351
 UM Group Failover 350
 UM Port 351
 Unattended Conference 71
 Unified Messaging (UM) Group 145, 351
 UNIFIED MESSAGING FEATURES 350
 Uniform Call Distribution (UCD) 162
 Uninterruptible Power Supply 403
 Upgrading the Software 404
 UPS (Uninterruptible Power Supply) Integration 403
 UPS → Uninterruptible Power Supply 403
 Urgent Message 400
 User Profile-Automatic Configuration 400
 User Profiles 405

V

Verification Code Entry 408
 Verification Code Personal Identification Number (PIN) 408
 VIP Call 175
 Virtual Locations 416
 Virtual PS 409
 Voice Mail (VM) Transfer Button 401
 Voice Mail Service 401
 Voice Mail, Centralized 265
 VoIP → Voice over Internet Protocol Network 287

W

Wake-up Call, Remote 339
Walking COS 414
Walking COS—DISA 94
Walking Extension 415
Walking Extension, Enhanced 416
Walking Station → Walking Extension 415
Web Programming 402
Whisper OHCA 417
Wireless XDP Parallel Mode 418
Wrap-up 164

X

XDP, Wireless 418

Panasonic Corporation of North America
One Panasonic Way, Secaucus, New Jersey 07094

<http://www.panasonic-america.com>

Copyright:

This material is copyrighted by Panasonic System Networks Co., Ltd., and may be reproduced for internal use only. All other reproduction is prohibited without the written consent of Panasonic-America.

© Panasonic System Networks Co., Ltd. 2013